

* SAVE THESE INSTRUCTIONS *

Installation Instructions



Portable Baseboard

Models Covered

KP1205 27 inch 500 Watts 120 Volt

KP1207 36 inch 750 Watts 120 Volt

KP1210 48 inch 1000 Watts 120 Volt

⚠ DANGER ⚠

ELECTRIC SHOCK OR FIRE HAZARD

Read all wire sizing, voltage requirements and safety data to avoid property damage and personal injury



Fig. 1
Made in USA. Seattle Washington

⚠ WARNING ⚠

Read Carefully - These instructions are written to help you prevent difficulties that might arise during usage of this portable Heater. Studying the instructions first may save you considerable time and money later. Observe the following instructions Save these instructions.

IMPORTANT INSTRUCTION: SAVE THESE INSTRUCTIONS

When using electrical appliances, basic precautions should always be followed to reduce the risk of fire, electric shock, and injury to persons, including the following:

1. Read all instructions before using this heater.
2. Use this heater only as described in this manual. Any other use not recommended by the manufacturer and may cause fire, electric shock, or injury to person. Do not leave this heater in unoccupied areas or with unsupervised children.
3. Always plug heaters directly into a wall outlet/receptacle. Never use with an extension cord or re-locatable power tap (outlet/power strip). Extension cords can melt and cause a fire.
4. Connect to properly grounded outlets only. Check outlet for heat with indicates replacement is needed.
5. Do not operate any heater with a damaged cord or plug or after the heater malfunctions, has been dropped or damaged in any manner. Discard heater or return to an authorized service facility for examination, and/or repair.
6. Do not run cord under carpeting. Do not cover cord with throw rugs, runners, or similar coverings. Do not route cord under furniture or appliances. Arrange cord away from traffic area and where it will not be tripped over. Never coil cord up when operating, doing this generates enough heat to melt the cord.
7. Always unplug heater when not in use.
8. To disconnect heater, turn controls to off, then remove plug from outlet.
9. A heater has hot and arching or sparking parts inside. Do not use it in areas where gasoline, paint, or flammable liquids are used or stored. Keep out of areas of wood flour or high dust. Blow out element yearly.
10. This heater is hot when in use. To avoid burns, do not let bare skin touch hot surfaces. Use handle when moving this heater. Keep combustible materials such as furniture, pillows, bedding, papers, clothes, and curtains away from heater.
11. To prevent a possible fire, do not block air intakes or exhaust in any manner. Do not use on soft surfaces, like a bed, where baseboard intake openings may become blocked.
12. Do not insert or allow foreign objects to enter any inlet or exhaust opening as this may cause an electric shock or fire, or damage the heater.
13. This heater is not intended for use in wet areas like bathrooms, laundry areas and similar indoor locations. Never locate heater where it may fall into a bathtub or other water container.
14. Never run more than one heater on a receptacle or circuit.
15. Clean Heater surfaces with mild soap and water. Strong cleaners will ruin the finish.

*** SAVE THESE INSTRUCTIONS ***

Installation Instructions



Portable Baseboard Heater

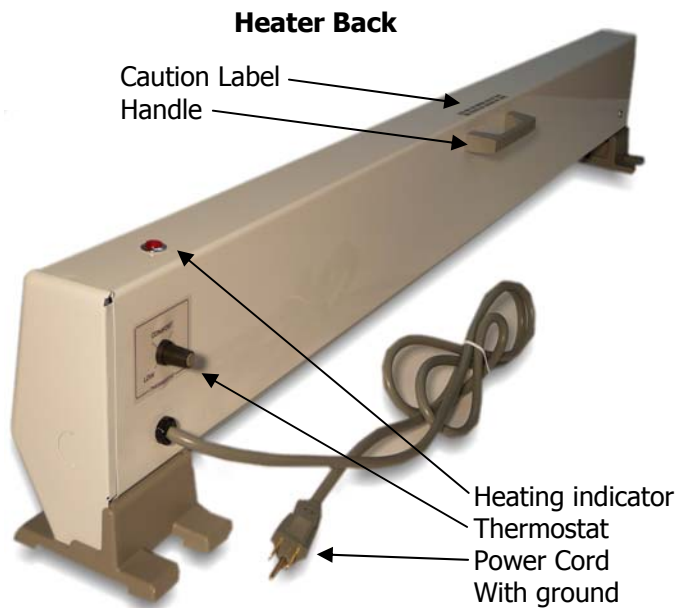


Fig. 2

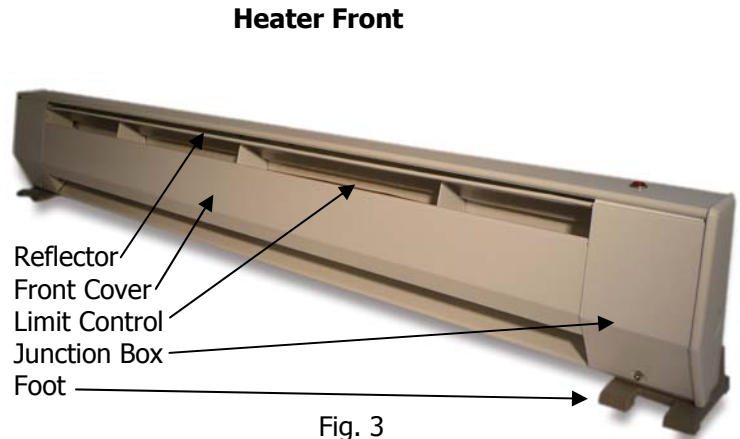
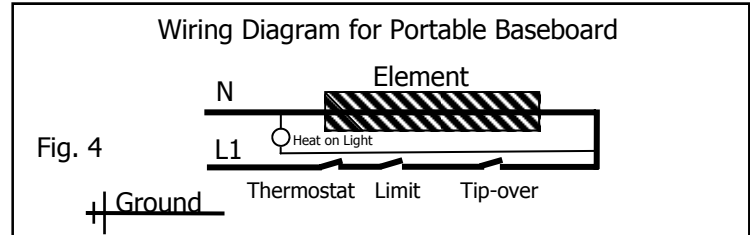


Fig. 3



Operation

- Set heater on a floor that is flat and level. Both feet need to lay flat on the floor for proper safe operation.
1. Locate heater near the coldest part of the room like a window, No cords or other items should touch heaters surface.
 2. Plug heater into a good quality grounded outlet and turn thermostat up until it clicks which indicates it is heating.
 3. A protective coating on the element will create some visible smoke for a few minutes this is normal, pre-running the heater for 30 minutes outside in a covered dry protected area may be a better option if smoke alarms could become a nuisance or automatically call the fire department.
 4. Feel plug and receptacle after 15 to 30 minutes of operation and continue to monitor for any hot to the touch over-heating.
 5. Make sure the circuit is rated for the added load of this heater. Never add two of any type electric heaters to one receptacle or circuit. If cord gets hot at plug end have a qualified Electrician change the receptacle to a higher quality stronger plug clamping force receptacle. Discontinue use until proper receptacle is installed if hot or warm to the touch.
 6. Do not coil the cord up when running heater, lay cord out flat and do not cover cord with anything including throw rugs. Covering or coiling the cord increases the heat of the cord and will melt the cord and possibly start a fire.
 7. A mechanical tip over switch is part of the safe operation of this heater and will turn off the heater if it is tipped. Do not by pass this safety device in any manor.
 8. A linear high limit senses an over heat condition if the heater is blocked and will turn it off until a lower temperature is reached and then turn back on. This is an auto sensing device so you should monitor this heater to prevent accidental blockage of any type.
 11. Thermostat is mounted in the junction box of this heater and can be adjusted to a comfort level. Temperature range is from 40° F to 90°F
 12. There are no user serviceable parts in this heater.
- Note: Smoking and candles that are burned in the same room as this heater will cause discoloration to the finish.

King Electrical Manufacturing
9131 10th Ave So.
Seattle WA 98108
206-762-0400
www.king-electric.com

This product is proudly made in the USA

*** SAVE THESE INSTRUCTIONS ***

Installation Instructions



Portable Baseboard Heater

“CAUTION”– High Temperatures, Keep Electrical Cords, Drapes, And Other Furnishings Away From Heater.

To reduce the risk of fire do not store or use Gasoline or any other Flammable vapors and liquids in vicinity of this heater.

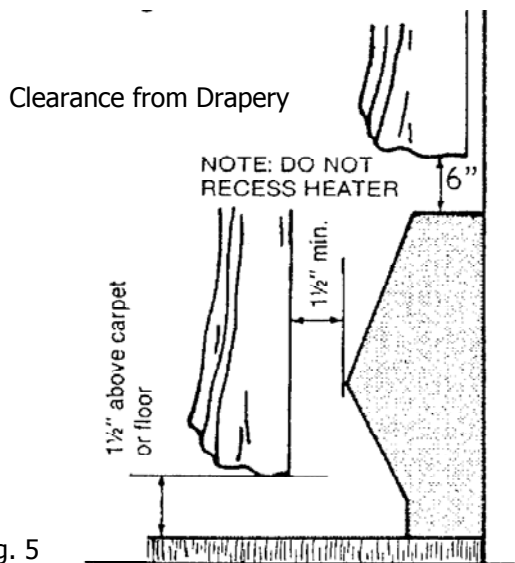


Fig. 5

Clearance from objects.

Heater should be placed in an open area and on a flat and level floor. Inlet and outlet of heater should never be block or modified. Unobstructed airflow is important for safe operation. Nothing should ever be placed on top of the heater. Clearances from drapes is shown in the figure above. 1 1/2 inches from front and 6 inches above the heater. Any other items should stay at least 12 inches from front of heaters. Back of heater can be against a wall. Zero clearance from sides.

Note: Certain fabrics and materials discolor or may become damaged by heat. Keep this heater away from all items.

Annual Maintenance

The user can perform cleaning, no lubrication is required since there are no moving parts, All other service is to be done by a qualified service personnel.

Before servicing Turn thermostat control to Off, then remove plug from outlet. Wait till the heater is cool to perform any cleaning.

Heater element should be cleaned once a year with a vacuum and paint brush to remove dust and lint that will accumulate in the heater. This will also reduce the Black Soot streaking that can happen over time.

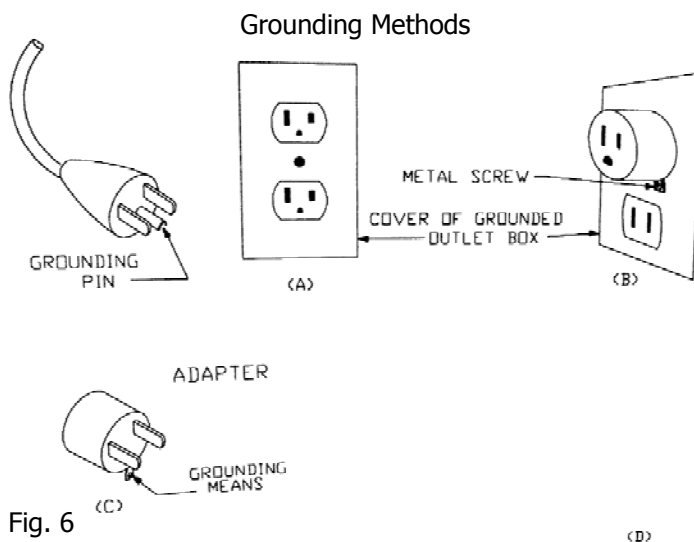


Fig. 6

Grounded Plug

The cord provided with this heater has a grounding pin on it for your safety and is to be used on a 3 pin grounded receptacle (Figure A). If you have a receptacle like in Figure B without a ground, an adapter like the one in figure C will need to be installed to properly ground the heater and the cord.

Exploded view for Annual maintenance

Before Removing grill for cleaning the power must be turned off at the breaker panel and the heater must be cool.

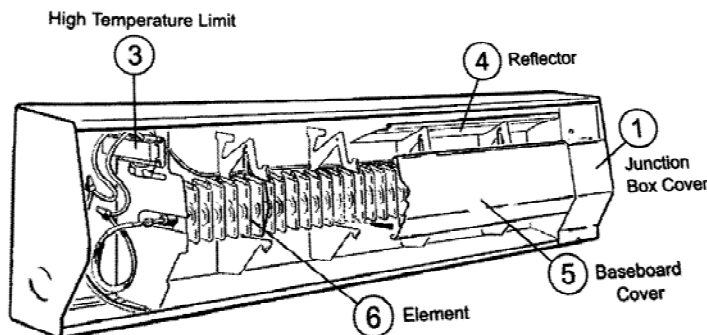


Fig. 7

This product is proudly made in the USA

* SAVE THESE INSTRUCTIONS *

Installation Instructions

OPERATING INSTRUCTIONS

1. This heater must be properly installed in accordance with the National Electrical Codes (NEC) & local electrical codes before it is used.
2. After the baseboard system has been completely installed, all thermostats should be turned to LOW or NO HEAT. Turn on breakers, wait 3 to 5 minutes and check to see that none of the heaters are operating. If operating, disconnect power and check wiring. If none are operating then turn thermostats to highest position and wait 3 to 5 minutes. Check to see that all heater(s) are operating. Should any not be operating, disconnect power and check wiring.
3. Allow entire system to operate steadily for 1/2 hour. This

should remove oily residue from manufacturing. (Some smoking may occur).

4. Select the setting for comfort on all thermostats.
5. A safety limit control is provided to turn off the heater automatically if it is blocked or otherwise overheats due to an abnormal condition-see Figures 4 and 5. DO NOT bypass or remove this safety device from the electrical circuit-see Warning 11 on page 2. During normal use, this safety control should not operate. If you find that this control is operating, make sure the heater is not being blocked. If it continues to cycle the heater off, disconnect power to heater and have it checked and repaired by a qualified electrician.

MAINTENANCE INSTRUCTIONS

Your heater will give you years of service and comfort with only minimum care. To assure efficient operation follow the simple instructions below.



WARNING

1. Serious injury or death could result from electric shock. Make sure electrical power supply circuit coming to heater is disconnected at main disconnect or service panel before servicing this heater. Allow heater to cool before cleaning to prevent a possible burn
2. Use care when cleaning element fins to avoid damaging fins. Note also that fins are sharp and may cause cuts so avoid contact.

1. The user can perform some basic cleaning of the heater. All other servicing is to be done by qualified service personnel.
2. Because of the convection heating principle which depends upon a circulation of air through the finned element, dust will collect between the fins. The heater should be cleaned regularly for maximum efficiency.

3. To clean heating element fins, first remove both wiring compartment covers and the front cover. Using a vacuum cleaner or compressed air, remove the dust and lint from the aluminum heating element fins while being careful not to damage the fins.

4. The painted heater cabinet may be cleaned using a slightly damp cloth. Do not use abrasive cleaners or waxes as these may damage the finish or leave a residue that will discolor.
5. Replace front cover (making sure it is latched in place at each element support bracket and at each end) and two wiring compartment covers (using the two screws provided), restore power and check heater for proper operation.

Painting

If it becomes necessary to repaint heater, use only a quality enamel paint suitable for metal surfaces following the instructions provided with the paint. DO NOT paint the heating element or safety limit capillary tube. Repaint only the exterior of the cabinet.

TROUBLESHOOTING CHART FOR BASEBOARD HEATERS

SYMPTOM	PROBLEM	SOLUTION
Breaker trips	1. Short circuit	1. Find source of short. Trace heater circuit and verify the heater is wired properly.
	2. Overloaded circuit	2. Reduce wattage in circuit. Refer to circuit sizing table for maximum wattage
	3. Improper voltage	3. Verify the heater voltage matches the supply voltage.
Heater not working	1. No power	1. Turn breaker on. Turn thermostat on. Check that the breaker is positioned properly on panel bus-bar. A 2-Pole breaker must be connected to both bus-bars (A&B phase) to produce 240V power.
	2. Loose connections	2. Tighten wire connections.
	3. Defective limit	3. By-pass the limit to test. If heater works, replace the limit.
Heater Smokes	1. Oil on element	1. It is normal for the element to burn off some light finishing oil used in the manufacturing process when first energized. Open windows and allow room to vent until it stops, usually within a few minutes.
	2. Needs cleaning	2. Remove any dust or dirt accumulation.
Room Temperature does not match thermostat setting	1. Thermostat affected by another heat source	1. Sunlight or other heat sources can affect the thermostat. Move the thermostat to another location or remove the heat source.
	2. Improper calibration	2. Remove cover and adjust calibration screw.
Room Temperature swings from too hot to too cold	1. Defective or low quality thermostat	1. Replace with a better quality thermostat. Anticipated thermostats are fairly accurate; an electronic thermostat is the best.

WARRANTY

King Electrical Mfg Company will repair or replace, without charge to the original owner, any baseboard heater found to be defective or malfunctioning within 1 year (K Series) or 5 years (CB Series) of installation. If the product becomes defective, contact King at 206-762-0400 for instructions on how to replace heater. Do not return the heater to the store. All returned goods require a Returned Goods Authorization. This warranty requires the owner or his agent install the heater in accordance with these instructions, the National Electrical Code and any other applicable heating or electrical codes. It further requires that reasonable and necessary maintenance be performed on the unit. The company is not liable for abuse or misuse of product.