



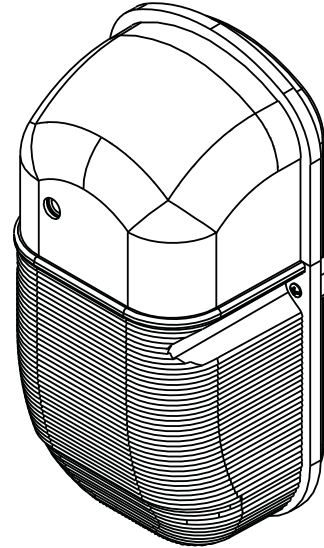
Catalog Number	
Notes	Type

Outdoor General Purpose

# Mini-Wall Pack

## Dusk-to-Dawn

Compact Fluorescent



### FEATURES & SPECIFICATIONS

#### INTENDED USE

Provides general illumination for outdoor use in residential and light commercial applications. Ideal for entryways, walkways, side yards, patios, and commercial buildings creating an inviting exterior space as well as providing safety and security.

#### ATTRIBUTES

Dusk-to-dawn photocell automatically turns on at dusk and off at dawn for convenience and energy savings. The durable polycarbonate housing is offered in bronze or white. High-impact polycarbonate refractor is UV-stabilized to prevent yellowing.

Standard with electronic ballast (120 volt, 60 Hz). Starts instantly down to -13°F (-26°C).

Includes (1) 42W GX24q 4-pin base 4100K triple tube compact fluorescent lamp.

For use with non-dimmable switches only.

All mounting hardware included.


#### LISTING

CUL listed to US and Canadian safety standards and suitable for wet locations. ENERGY STAR® qualified.

#### WARRANTY

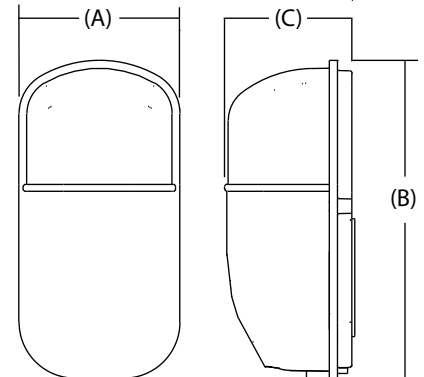
Guaranteed for two years against mechanical defects in manufacture. (Excludes lamp)

### DIMENSIONS

Lamp Configuration	Model Number	Number of Lamps	(A) Width inches (cm)	(B) Height inches (cm)	(C) Extension* inches (cm)
	OWP3 42F	(1) 42W GX24q 4-pin base compact (TTT)	5-3/4" (14.6)	11" (27.9)	4-15/16" (10.9)

\* Maximum extension from wall

All dimensions are in inches (centimeters)



### ORDERING INFORMATION

Example: **OWP3 42F 120 P LP BZ**

Choose the boldface catalog nomenclature that best suits your needs and write it on the appropriate line. Order accessories as and replacement parts separate catalog numbers.

<b>OWP3 42F</b>	<b>120</b>	<b>P</b>	<b>LP</b>	<b>BZ</b>
Model Number	Ballast/Voltage	Features	Lamp	Finish
<b>OWP3 42F</b> (1) 42W GX24q 4-pin 4100K triple tube compact fluorescent lamp <b>Included</b>	<b>120</b> 120 volt residential electronic ballast (standard)	<b>P</b> Dusk-to-Dawn photocell	<b>LP</b> Lamp included	<b>BZ</b> Bronze <b>WH</b> White

Accessories/Replacement parts

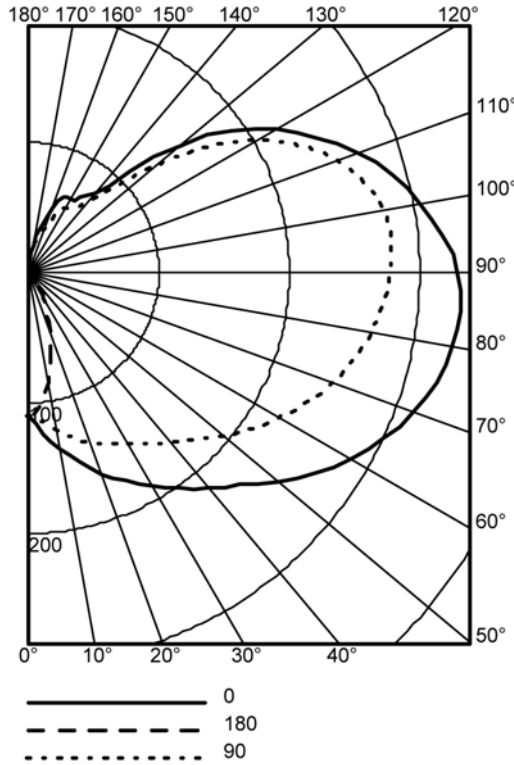
**CF42TRT41 4-PIN M6** 42W GX24q 4-pin 4100K triple tube compact fluorescent lamp

# Mini-Wall Pack Outdoor General Purpose

## PHOTOMETRICS

### CANDELA DISTRIBUTION

	0	45	90	135	180	Ave	Lumens
0	110	110	110	110	110	110	
5	124	120	114	106	102	114	11
15	150	152	131	90	67	121	34
25	176	185	145	67	33	125	58
35	202	215	160	43	18	132	83
45	230	240	181	25	11	141	110
55	268	261	209	14	8	155	139
65	301	278	235	9	5	169	168
75	324	289	258	7	1	181	191
85	333	294	273	7	1	187	204
90	329	294	277	7	1	188	
95	319	287	279	9	1	185	202
105	289	263	267	15	0	172	182
115	244	219	231	19	0	146	145
125	190	156	169	11	0	107	96
135	110	105	93	9	0	64	51
145	70	90	63	14	0	51	32
155	64	71	48	13	0	41	19
165	37	34	26	11	2	23	7
175	0	2	9	6	0	4	1
180	0	0	0	0	0	0	



### ZONAL LUMEN SUMMARY

Zone	Lumens	% Lamp	% Fixture
0° - 30°	103.4	3.2	6.0
0° - 40°	186.5	5.8	10.8
0° - 60°	435.2	13.6	25.1
0° - 90°	997.8	31.2	57.6
90° - 120°	527.8	16.5	30.5
90° - 130°	623.4	19.5	36.0
90° - 150°	706.4	22.1	40.8
90° - 180°	733.2	22.9	42.4
0° - 180°	1731.0	54.1	100.0

LUMINAIRE EFFICIENCY: 54.1%

CIE CLASSIFICATION: General Diffuse

SPACING CRITERIA(0-Deg): 2.7

SPACING CRITERIA(90-Deg): 2.3

SPACING CRITERIA(180-Deg): 0.6

### SINGLE LUMINAIRE PERFORMANCE

Task Height: 2.5ft.

50% beam - 85.5° 10% beam - 132.6°

Mounting Height	Initial FC	Center Beam Diameter	FC	Diameter	FC
8.0	3.6	10.2	1.8	25.1	0.4
10.0	2.0	13.9	1.0	34.2	0.2
12.0	1.2	17.6	0.6	43.3	0.1
14.0	0.8	21.3	0.4	52.4	0.1
16.0	0.6	25.0	0.3	61.5	0.1

### COEFFICIENTS OF UTILIZATION

pf	20%													
	80%		50%		30%		10%		0%					
pc	70%	50%	30%	10%	50%	30%	10%	50%	30%	10%	0%			
pw	59	59	59	59	47	47	47	40	40	40	34	34	34	31
0	59	59	59	59	47	47	47	40	40	40	34	34	34	31
1	51	47	44	41	37	35	32	31	29	27	25	24	23	20
2	45	39	35	31	31	27	25	25	23	21	20	19	17	14
3	40	34	28	24	26	22	19	22	19	16	17	15	13	11
4	37	29	24	20	23	19	16	19	16	13	15	13	11	08
5	33	26	20	17	20	16	13	16	13	11	13	11	09	07
6	31	23	18	14	18	14	11	15	12	09	12	09	07	06
7	28	20	15	12	16	12	10	13	10	08	11	08	06	05
8	26	18	14	10	14	11	08	12	09	07	10	07	06	04
9	24	17	12	09	13	10	07	11	08	06	09	07	05	04
10	23	15	11	08	12	09	06	10	07	05	08	06	04	03

### AVERAGE LUMINANCE (cd/m2)

	0°	90°	180°
45°	14146	13278	677
55°	15808	15026	472
65°	17570	17074	292
75°	19297	19544	60
85°	20893	22310	63

Calculations based on IES File Luminous Area:  
3.96 in. W x 3.0 in. L x 6.0 in. H