

## FEATURES & SPECIFICATIONS

### INTENDED USE

For mounting heights up to 20' requiring low to medium light levels. Ideal for light duty task lighting, aisles, cold ambient spaces, warehousing and storage.

### CONSTRUCTION

Channel constructed of die-formed cold rolled steel with longitudinal V-grooves in channel for strength. Sturdy combination reflector and channel cover secured by quarter-turn latch for easy access to wireway. Screw-on endplates. Available in 4', or 8' tandem-wired lengths. Accepts plug-in option for 1, 2 or 3 primary circuits.

### FINISH

Five-stage iron phosphate pretreatment ensuring superior paint adhesion and corrosion-resistance. Reflector and channel finished with a high-gloss baked white enamel. Reflector is painted after fabrication.

### OPTICAL SYSTEM

Solid-top or apertured uplight reflectors available. Both are painted after fabrication.

### ELECTRICAL SYSTEM

Thermally-protected, resetting, Class P, HPF, non-PCB, UL Listed and CSA Certified ballast is standard. Sound rating depends on lamp/ballast combination. AWM, TFN, THHN wire throughout, rated for required temperatures.

### INSTALLATION

For unit or row installations or suspended mounting. Channel connector furnished standard.

### LISTING

120V and 277V are UL Listed and CSA Certified (standard). 347V is CSA Certified (see Options). NOM Certified (see Options). Suitable for damp locations.

### WARRANTY

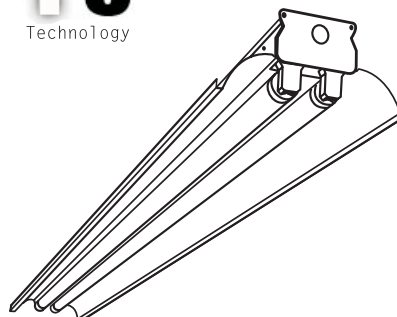
Guaranteed for one year against mechanical defects in manufacture.

Catalog Number	
Notes	Type

### General Purpose Industrial

# EJS/EJD

**T5**  
Technology

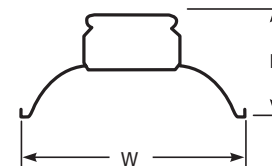


**High Output and Very High Output**  
2', 4', 6' or 8' Length  
1 or 2 Lamps

### Specifications

Length: 24" (610), 48" (1219), 72" (1829) or 96" (2438)  
Width: 12" (305)  
Height: T8 & T5 4-1/4" (108)  
T12 4-15/16" (125)

All dimensions are inches (millimeters). Specifications subject to change without notice.



## ORDERING INFORMATION

Example: **EJD 2 96HO 120 CW20**

Choose the boldface catalog nomenclature that best suits your needs and write it on the appropriate line. Order accessories as separate catalog number.

Series	Number of lamps	Lamp Type	Voltage	Options
<b>EJD</b> General purpose industrial, no uplight, T12 lamps	<b>1, 2, 3'</b> Not included	<b>24HO</b> 35W T12 800 mA (24") <b>48HO</b> 60W T12 800 mA (48") <b>48VHO</b> 110W T12 1500 mA (48") <b>48T8HO</b> 44W T8 380 mA (48") <b>54T5HO</b> 54W T5 HO (46") <b>72HO</b> 85W T12 800 mA (72") <b>72T8HO</b> 65W T8 380 mA (72") <b>96HO</b> 110W T12 800 mA (96") <b>96VHO</b> 215W T12 1500 mA (96") <b>96T8HO</b> 86W T8 380mA (96")	<b>120</b> <b>277</b> <b>347</b> <b>MVOLT</b> <sup>1</sup> Others available	<b>ES</b> Energy-saving ballasts <b>CW20</b> Cold-weather T12 ballasts, -20°F starting <b>EL14</b> Emergency battery pack (nominal 1400 lumens). See Life Safety Section <b>EL55</b> Emergency battery pack for T5 lamps (nominal 390-700 lumens; see Fluorescent Battery Packs Section) <b>GEB</b> Electronic T8 or T12 ballasts, ≤20% THD <b>GEB10PS</b> Electronic T5 ballast, ≤10% THD, Program Start <b>GEB10RS</b> Electronic T8 ballasts, ≤10% THD, Rapid Start <b>GLR</b> Internal fast-blow fuse <b>GMF</b> Internal slow-blow fuse <b>PLF</b> Plug-in wiring. Specify 1, 2 or 3 branch circuits & hot wires ( <b>A</b> =black, <b>B</b> =red, <b>C</b> =blue, <b>AB</b> or <b>AC</b> ) <b>TILW</b> Tandem in-line wiring <b>CSA</b> CSA Certified (347V only) <b>NOM</b> NOM Certified

For tandem double-length unit, add prefix **T**. Example: **TEJS**

### Accessories

Order as separate catalog numbers.

- SQ** Swivel-stem hanger (specify length in 2" increments)
- 1B** Ceiling spacer 1-1/2" to 2-1/2" from ceiling
- HC36** Chain hangers (1 pair, 36" long)
- THUN** Tong hanger
- HRUND1** Hooker® T-bar hanger (1-1/2" from ceiling) for use with EJD
- HRUNS1** Hooker® T-bar hanger (1-1/2" from ceiling) for use with EJS
- WGL** Wireguard for EJ reflector, 4' white<sup>2</sup>

### NOTES:

- 1 54T5HO only.
- 2 Order two for 8' fixtures.

# EJS/EJD High Output and Very High Output

## MOUNTING DATA

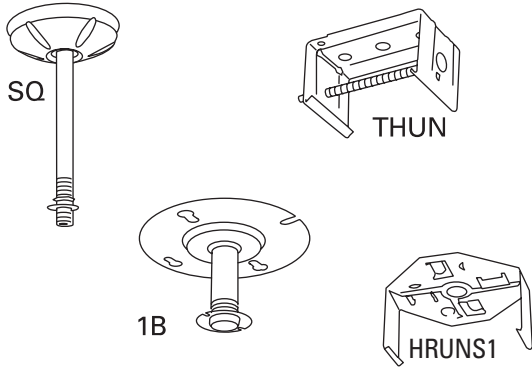
For unit or row installation, surface or suspended mounting. Use hanger appropriate for fixture width.

Unit installation — Minimum of two hangers required.

Row installation — One hanger per channel plus one per row required.

Hooker® (HRUND1 or HRUNS1), HC36 and THUN Hangers — Minimum two per channel (unit and row).

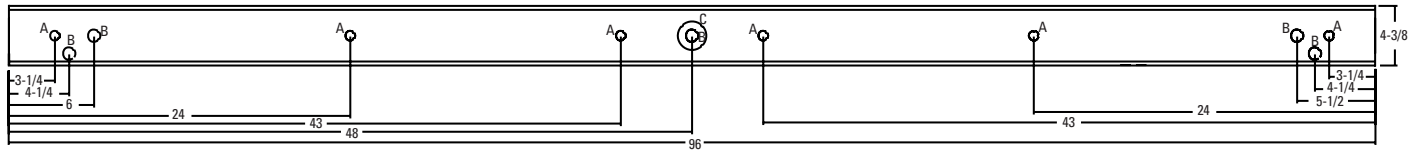
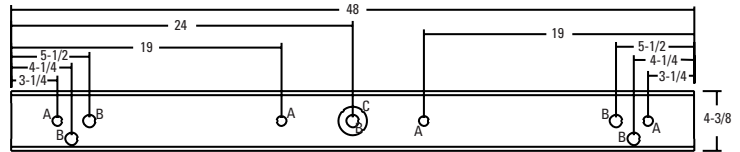
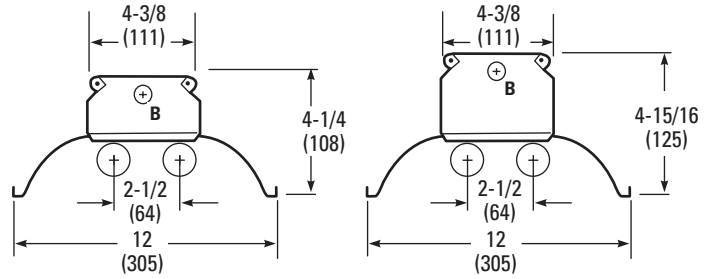
See ACCESSORIES below for hanging devices.



## DIMENSIONS

Inches (millimeters). Subject to change without notice.

- A = 11/16 (18) Dia. K.O.
- B = 7/8 (22) Dia. K.O.
- C = 2 (51) Dia. K.O.



## PHOTOMETRICS

Calculated using the zonal cavity method in accordance with IESNA LM41 procedure. Floor reflectances are 20%. Lamp configurations shown are typical. Full photometric data on these and other configurations available upon request.

### EJDA 2 96HO

Report: LTL12705

LUMENS PER LAMP: 8350

Luminaire Efficiency: 89.4%

### EJDA 2 48HO

Report: LTL12704

LUMENS PER LAMP: 4250

Luminaire Efficiency: 89.4%

### EJD 2 96VHO

Report: LTL12693

LUMENS PER LAMP: 14000

Luminaire Efficiency: 85.4%

#### Coefficients of Utilization

pc	Coefficients of Utilization								
	80%			20%			30%		
	70%	50%	30%	50%	30%	10%	50%	30%	10%
0	104	104	104	95	95	95	89	89	89
1	94	90	85	81	78	76	76	74	72
2	85	77	70	70	65	61	66	62	58
3	77	67	59	61	55	50	57	52	48
4	70	59	50	54	47	42	50	45	40
5	64	52	44	48	41	36	45	39	34
6	59	46	38	43	36	31	40	34	30
7	54	42	34	39	32	27	37	31	26
8	50	38	30	35	29	24	33	27	23
9	47	35	27	32	26	21	31	25	21
10	44	32	25	30	23	19	28	23	19

#### Coefficients of Utilization

pc	Coefficients of Utilization								
	80%			20%			30%		
	70%	50%	30%	50%	30%	10%	50%	30%	10%
0	104	104	104	95	95	95	89	89	89
1	94	90	85	81	78	76	76	74	72
2	85	77	70	70	65	61	66	62	58
3	77	67	59	61	55	50	57	52	48
4	70	59	50	54	47	42	50	45	40
5	64	52	44	48	41	36	45	39	34
6	59	46	38	43	36	31	40	34	30
7	54	42	34	39	32	27	37	31	26
8	50	38	30	35	29	24	33	27	23
9	47	35	27	32	26	21	31	25	21
10	44	32	25	30	23	19	28	23	19

#### Coefficients of Utilization

pc	Coefficients of Utilization								
	80%			20%			30%		
	70%	50%	30%	50%	30%	10%	50%	30%	10%
0	102	102	102	95	95	95	91	91	91
1	92	88	84	82	79	76	79	76	74
2	83	75	69	71	66	61	68	64	60
3	75	65	58	61	55	51	59	54	50
4	68	58	50	54	48	42	52	46	42
5	63	51	43	48	41	36	46	41	36
6	58	46	38	43	37	31	42	36	31
7	53	41	33	39	32	28	38	32	27
8	50	38	30	36	29	24	35	29	24
9	46	34	27	33	26	22	32	26	22
10	43	32	25	30	24	20	29	24	20

#### Zonal Lumen Summary

Zone	Lumens	% Lamp	% Fixture
0° - 30°	3026	18.1	20.3
0° - 40°	5104	30.6	34.2
0° - 60°	9777	58.5	65.5
0° - 90°	13543	81.1	90.7
90° - 180°	1381	8.3	9.3
0° - 180°	14924	89.4	100.0

#### Zonal Lumen Summary

Zone	Lumens	% Lamp	% Fixture
0° - 30°	1540	18.1	20.3
0° - 40°	2598	30.6	34.2
0° - 60°	4976	58.5	65.5
0° - 90°	6893	81.1	90.7
90° - 180°	703	8.3	9.3
0° - 180°	7596	89.4	100.0

#### Zonal Lumen Summary

Zone	Lumens	% Lamp	% Fixture
0° - 30°	5555	19.8	23.2
0° - 40°	9331	33.3	39.0
0° - 60°	17593	62.8	73.6
0° - 90°	23914	85.4	100.0
90° - 180°	0	0.0	0.0
0° - 180°	23914	85.4	100.0



An AcuityBrands Company