

FEATURES & SPECIFICATIONS

INTENDED USE — Ideal for a wide variety of low- to medium-height ceiling applications including commercial, retail and hospitality spaces where a wet location lensed fixture is required. Ideal for shower and outdoor applications.

CONSTRUCTION — Heavy gauge die formed galvanized steel mounting frame with mechanical trim retention (yoke) ensures secure and flush reflector mounting to ceiling. Attached to frame are vertically adjustable mounting brackets for use with C channels, ½" steel conduit or 16 gauge flat bar hangers included, standard. Frames equipped with galvanized junction box UL Listed for through wire applications. Junction boxes equipped with (2) ¾" and (4) ½" conduit knockouts with pryout slots and removable access doors. Maximum 1-1/2" ceiling thickness.

OPTICS — Aluminum clear semi-specular upper reflectors are optically designed to maximize lumen output and to provide superior glare control.

Glass lenses are available in clear flat, tempered prismatic or fresnel glass lens to provide optimal visual comfort and improved aesthetics.

ELECTRICAL — Electronic ballast with end of lamp life protection standard. Class P thermally protected ballast protects against improper contact with insulation. Minimum starting temperature is 0°F/-18°C.

Rated for #12 AWG conductor thru-branch wiring. Minimum 90° supply wire. Ground wire provided.

Lamp Socket Base:

TRT 4-pin lamps – 18W (GX24Q-2); 26W (GX24Q-3); 32W (GX24Q-3); 42W (GX24Q-4); 57W (GX24Q-5)

DTT 4-pin lamps – 18W (GX24Q-2);

LISTING — Fixtures are UL Listed for thru-branch wiring, Non-IC recessed mounting, wet location, and to U.S. and Canadian Safety Standards.

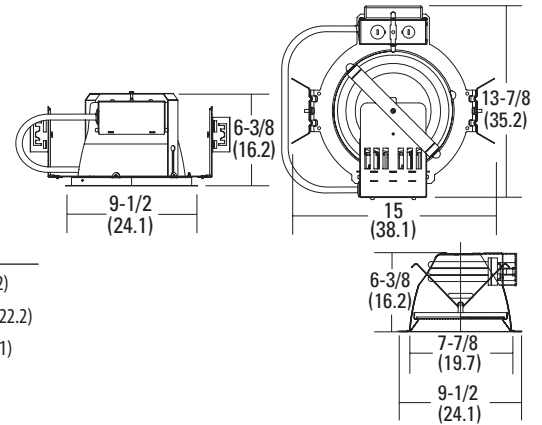
Catalog Number
Notes
Type

Compact Fluorescent Downlighting

8" LF8N



WET LENS
Horizontal 1-Lamp, Triple Tube (TRT)



Specifications

Max. height: 6-3/8 (16.2)

Ceiling opening: 8-3/4 (22.2)

Overlap trim: 9-1/2 (24.1)

Length: 15 (38.1)

Width: 13-7/8 (35.2)

All dimensions are inches (centimeters) unless otherwise specified.

ORDERING INFORMATION

For shortest lead times, configure products using **bolded options**.

Example: LF8N 1/26-42TRT F8LS4 MVOLT

Series	Wattage/Lamp	Reflector /color ³	Voltage	Options ⁹
LF8N				
LF8N	1/18DTT	F8LS1 White splay, flat clear lens	MVOLT MVOLT ⁴	ADEZ Advance Mark 10™ electronic dimming ballast, 120V or 277V. Must be voltage specific. Minimum dimming level 5%
	1/18TRT	F8LSB1 Black baffle, flat clear lens	120 120V	ECOS ECOS Lutron EcoSystem electronic dimming ballast, 120V - 277V. Must be wattage specific. Minimum dimming level 5%
	1/26DTT	F8LS4 White splay, fresnel lens	277 277V	EL Emergency PSDL3 DL battery pack with integral test switch. Lens removal required before EL testing ⁶
	1/26-42TRT¹	F8LSB4 Black baffle, fresnel lens	347 347V ⁵	ELR Emergency PSDL3 DL battery pack with remote test switch ⁶
	1/26TRT	F8LS73 White splay, tempered prismatic lens		ELHL Iota I-420-R High lumen output emergency battery pack. Internal test switch provided. Maximum average lumen output is 1300 (42W) ⁷
	1/32TRT	F8LS73 White splay, tempered prismatic lens		ELRHL Iota I-420-EM-B High lumen output emergency battery pack. Remote test switch provided. Maximum average lumen output is 1300 (42W) ⁷
	1/42TRT	F8LSB73 Black baffle, tempered prismatic lens		GMF Single slow-blow fuse, must specify voltage
	1/57TRT ²			BDP Ballast disconnect plug (meets codes that require in-fixture disconnect) ⁵
				RIF1 Radio interference filter
				LBH Less barhangers
				NSD Sensor Switch nLight™ dimming relay ⁸
				WLP 35K lamp (shipped separately)

Accessories

Order as separate catalog number.

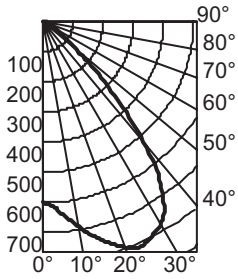
SCA8	Sloped ceiling adaptor. Degree of slope must be specified (10D, 15D, 20D, 25D, 30D) Ex: SCA8 10D.
CTE8	Ceiling thickness extender is used when ceiling thickness is greater than 1-1/2 (3.8). Maximum thickness 2 (5.1).

Notes

- Not available with ECOS or WLP.
- Not available with 347V, ECOS, EL or ELR.
- White painted flange standard.
- Electronic multi-volt ballast capable of operating any line voltage from 120-277V, 50 or 60Hz.
- Not available with EL or ELR.
- Add 3" (7.6) to width and 4-1/2" (11.4) to length.
- Not recommended for field installation.
- One 5A relay with one 0-10 VDC dimming output, shipped installed. Requires additional nLight bus power supply.
- For [additional options](#) see www.lithonia.com

8" LF8N Horizontal 1-Lamp, Triple Tube (TRT), Wet Lens

LF8N 1/32TRT MVOLT F8LS4, (1) 32TRT lamp, 1.51 s/mh, 2400 rated lumens, test no. LTL18231



Intensity Distribution	
Vertical Angle	Horizontal Angle
0°	600
5°	632
15°	747
25°	808
35°	693
45°	306
55°	80
65°	32
75°	18
85°	1
90°	0

Zonal Lumen Summary		
Zone	Lumens	% Lamp
0° - 30°	617.4	25.7
0° - 40°	1025.1	42.7
0° - 60°	1347.6	56.2
0° - 90°	1399.4	58.3
90° - 180°	0.0	0.0
0° - 180°	1399.4	*58.3

*Total Efficiency

RcR	Coefficients of Utilization						
	pf	80%		70%		50%	
		pc	pw	50%30%	50%30%	50%30%	50%30%
0	69	69	68	68	65	65	
1	63	62	62	60	60	58	
2	57	55	56	54	55	52	
3	52	49	51	48	50	47	
4	48	44	47	43	46	42	
5	44	39	43	39	42	38	
6	40	36	39	35	38	35	
7	37	32	36	32	35	32	
8	34	30	33	29	33	29	
9	31	27	31	27	30	27	
10	29	25	29	25	28	25	