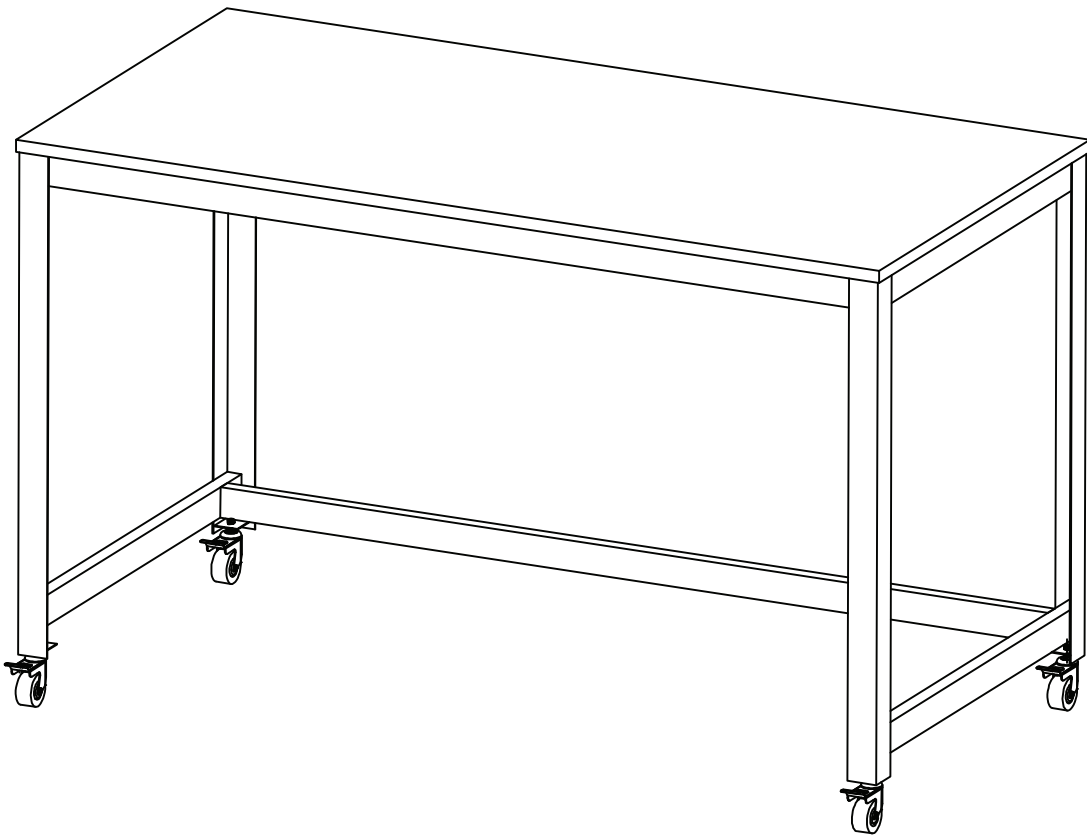


# ASSEMBLY INSTRUCTIONS

## MODEL 50-JN16DSK

SUPPLIER CODE: JNFF

LOFT WRITING DESK WITH STEEL FRAME, WOOD SURFACE



## CUSTOMER SERVICE

For fastest service on claims, requests for replacement parts, or questions, please visit our website at

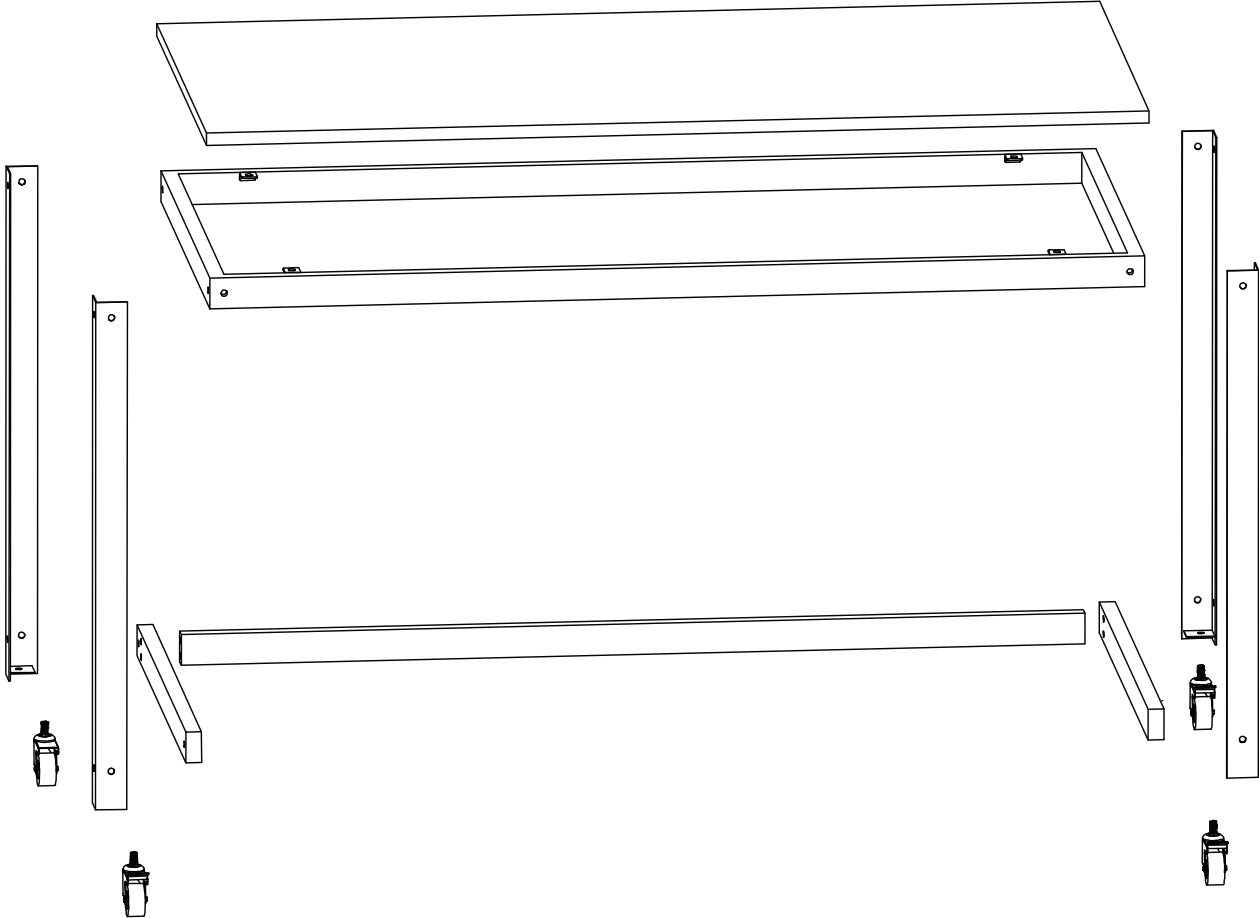
[www.comfortproducts.net/support](http://www.comfortproducts.net/support)

e-mail: [customerservice@comfortproducts.net](mailto:customerservice@comfortproducts.net)

Keep your sales receipt as documentation of your ownership.

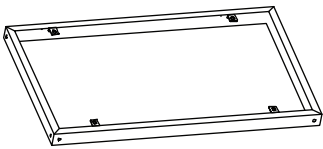
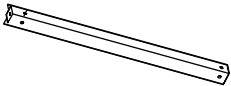
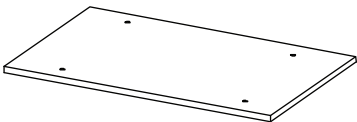
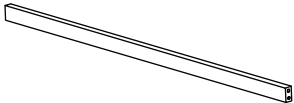
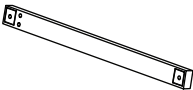

# ASSEMBLY OVERVIEW

Desktop maximum  
weight capacity  
= 150 lbs



# PARTS AND HARDWARE LIST

EXTRA HARDWARE INCLUDED FOR YOUR CONVENIENCE. ITEMS ARE NOT SHOWN TO SCALE.

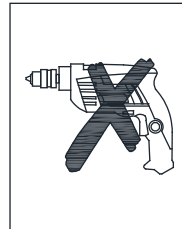
PART	DESCRIPTION	STOCK NO	QTY
1	Desktop Frame 	51-JN16DSKDF	1
2	Leg 	51-JN16DSKLG	4
3	Desktop 	51-JN16DSKDT	1
4	Back Support Bar 	51-JN16DSKBB	1
5	Side Support Bar 	51-JN16DSKSB	2
6	Caster 	51-JN16CA	4

HARDWARE KIT  
STOCK # 51-JN16DSKHA

PART	DESCRIPTION	QTY
A	M6X15MM 	16
B	M6X20MM 	4
C	M6X40MM 	4
D	M6X12MM 	4
E	Allen Wrench 	1
	Extra Hardware Pack	1

## CAUTION

- READ THE INSTRUCTION MANUAL BEFORE ASSEMBLING.
- REMOVE ALL PIECES BEFORE BEGINNING INSTALLATION.
- OPEN THE HARDWARE AS NEEDED.
- ASSEMBLE IN AN AREA WITH PLENTY OF SPACE.
- READ EACH STEP BEFORE BEGINNING CONSTRUCTION.
- NEVER FORCE THE SCREWS OR FITTINGS.
- KEEP THIS MANUAL FOR FUTURE REFERENCE.
- TIGHTEN ALL THE SCREWS EVERY 6 MONTHS.
- DO NOT SHIFT OR DRAG THE PRODUCT AFTER ASSEMBLY.
- DO NOT USE A POWER DRILL.



## CLEANING AND CARE

- CLEAN SURFACES WITH A DRY OR DAMP CLOTH.
- DO NOT USE ABRASIVE CLEANERS.

## REPLACEMENT PARTS

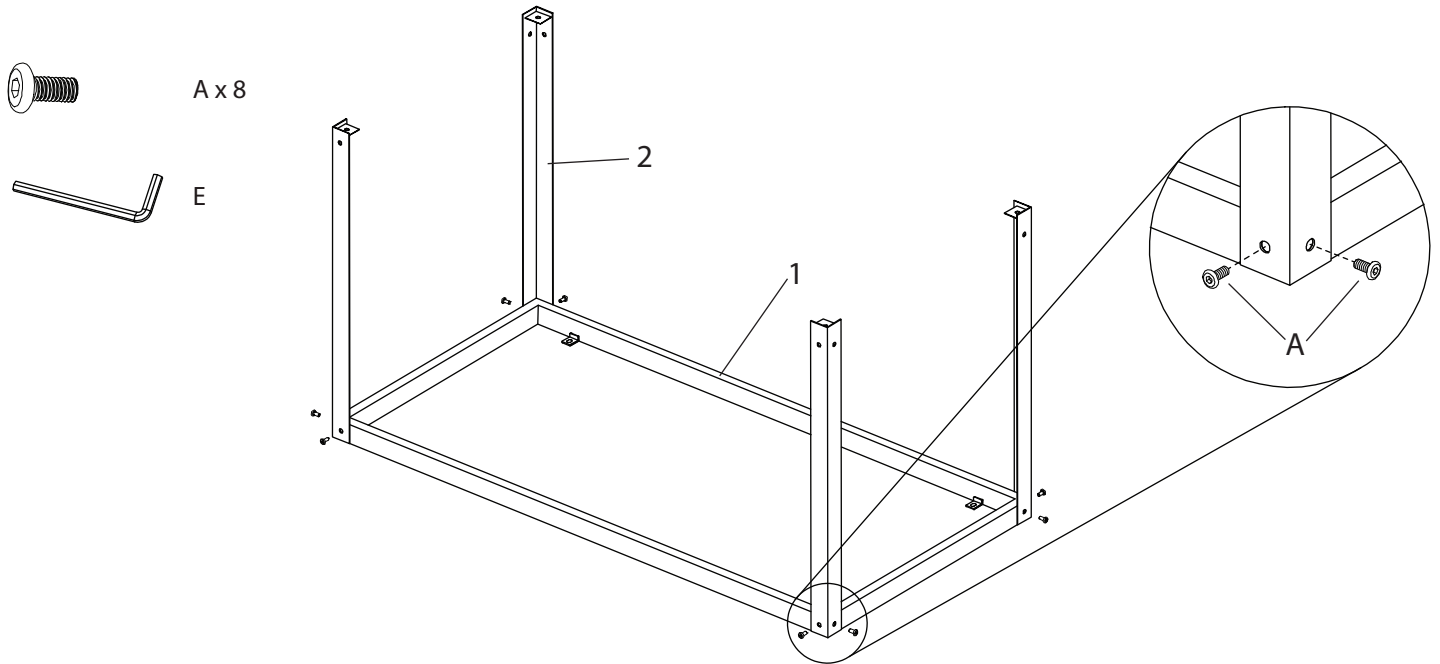
IF YOU ARE MISSING ANY OF THE PARTS ABOVE, OR IF YOU HAVE A DAMAGED PART, PLEASE VISIT [WWW.COMFORTPRODUCTS.NET/SUPPORT](http://WWW.COMFORTPRODUCTS.NET/SUPPORT) REFERENCE THE MODEL # ON THE FRONT OF THIS MANUAL. SIMPLY COMPLETE THE INFORMATION, INCLUDING THE PART YOU NEED. THE PART WILL NORMALLY BE SHIPPED WITHIN 48 HOURS.

# ASSEMBLY INSTRUCTIONS

NOTE: Some of the screws are of similar length. Observe carefully which screw is needed before beginning each step.

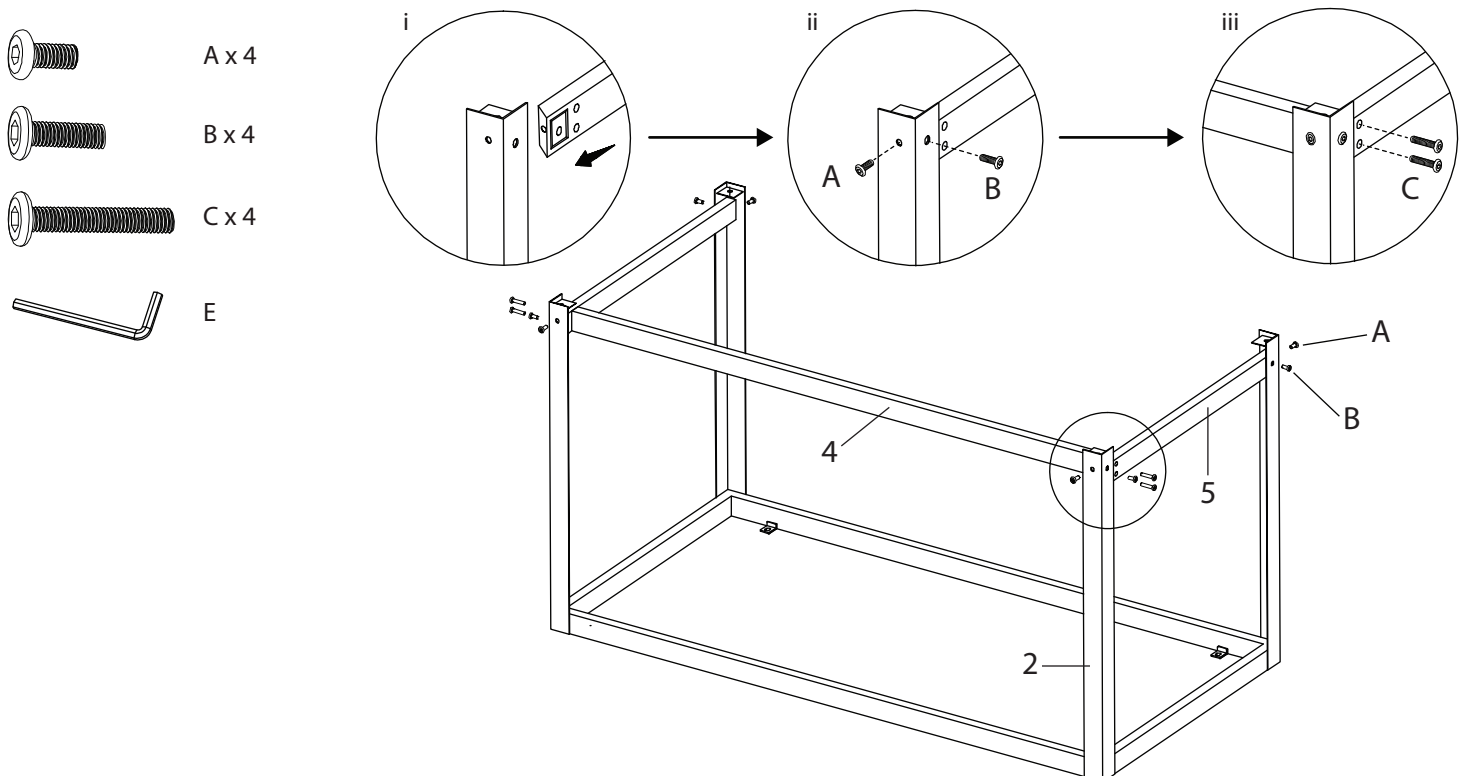
## STEP 1

Attach the legs (2) to the desktop frame (1) using eight screws (A).



## STEP 2

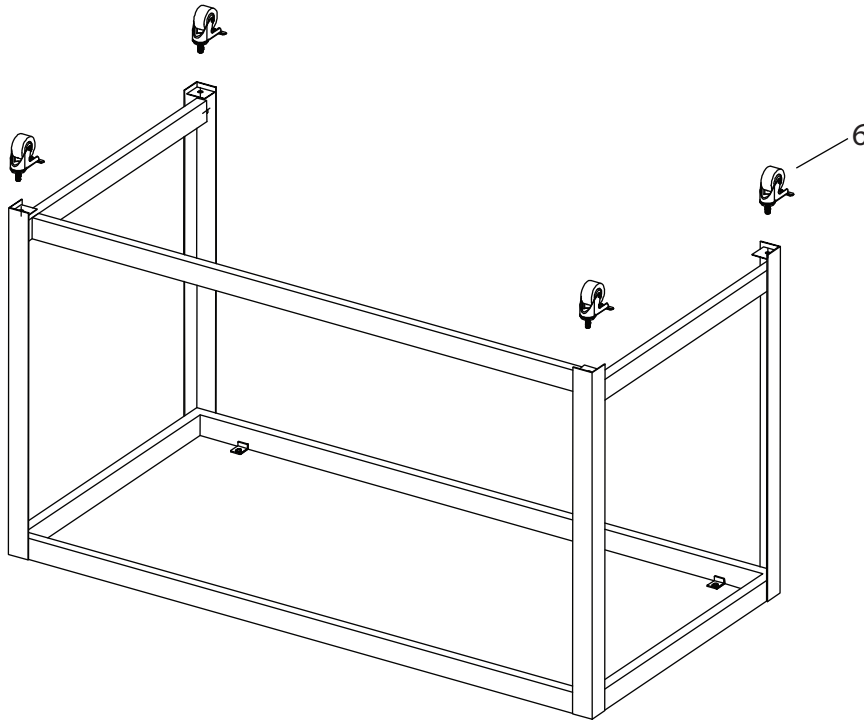
- (i) Align the side support bars (5) with the legs (2).
- (ii) Fasten them with four screws (A) and four screws (B).
- (iii) Fasten the back support bar (4) to the side bars using four screws (C).



# ASSEMBLY INSTRUCTIONS

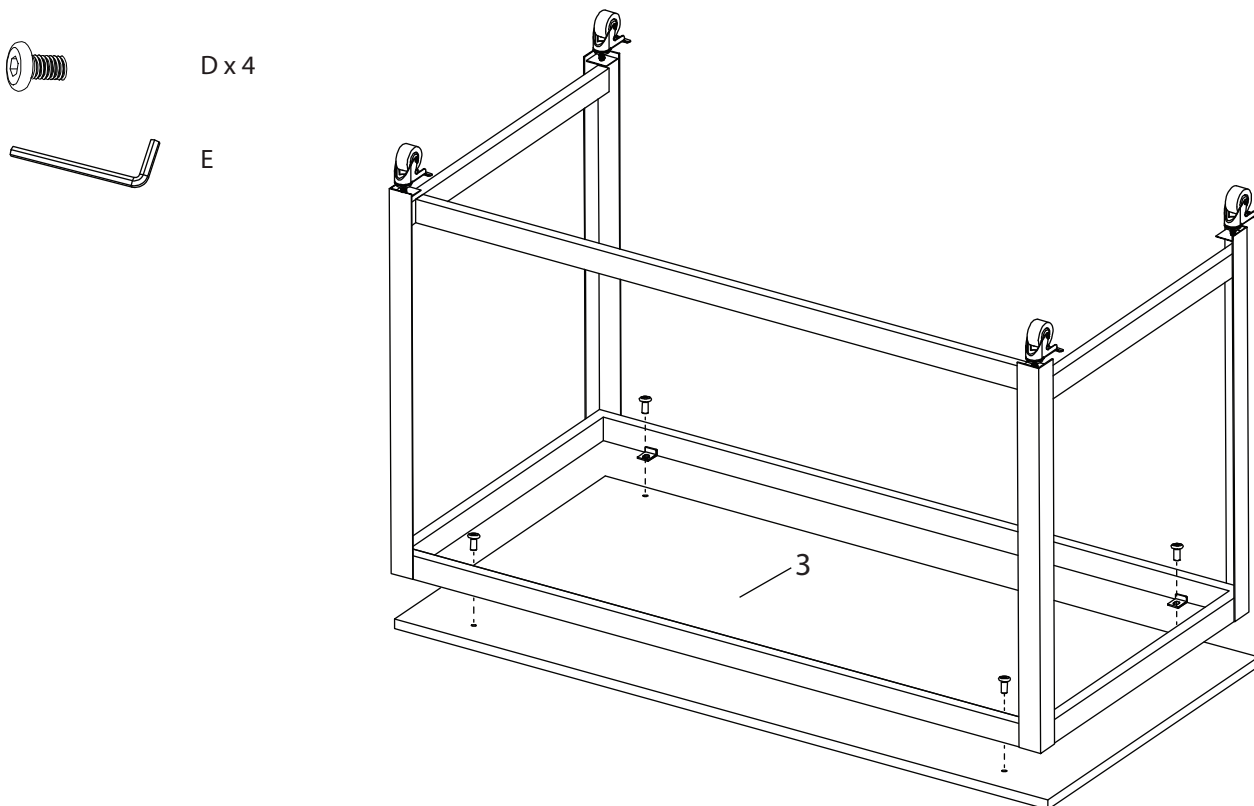
## STEP 3

Screw a caster (6) into the bottom of each leg.



## STEP 4

Attach the assembled frame to the desktop (3) with four screws (D) using the brackets on the desktop frame (1).



# SAFETY AND MAINTENANCE

- DO NOT stand on the desk. Do not use the desk as a stepladder.
- DO NOT use the desk unless all bolts and screws are firmly secured.
- Every 6 months, check all bolts and screws to ensure they are tight.

# LIMITED WARRANTY

PLEASE VISIT [WWW.COMFORTPRODUCTS.NET](http://WWW.COMFORTPRODUCTS.NET) FOR WARRANTY INFORMATION

Comfort Products warrants this product to be free from defects in material and workmanship for one (1) year. This warranty is made by Comfort Products only to the original end-user customer acquiring the product directly from Comfort Products' authorized dealers as shown by the original sales receipt. The end-user customer remedy pursuant to this warranty is limited to repair or replacement of parts at Comfort Products' option within a reasonable amount of time. Comfort Products reserves the right to require damaged parts to be returned to Comfort Products upon request. Consent from Comfort Products must be obtained before any warranty work is performed. This warranty applies under conditions of normal use and is not subject to defects caused by improper assembly or disassembly; defects occurring after purchase due to product modification, intentional damage, fire, misuse, negligence, or exposure to the elements; labor or assembly cost. This warranty does not cover the cost of transportation or labor. In no event shall Comfort Products be liable in either tort or contract for any loss or direct, special, incidental, consequential or exemplary damages. This Limited Warranty is NOT applicable to end-user customers who use Comfort Products for rental purposes. This warranty applies only to end-user customers in the United States. All warranties are limited to the original purchaser for normal use. The weight capacity of the desktop is 150 pounds. For claims or questions concerning this warranty, please visit [www.comfortproducts.net](http://www.comfortproducts.net) or email us at [customerservice@comfortproducts.net](mailto:customerservice@comfortproducts.net)

MODEL: 50-JN16DSK

Comfort Products, Inc.  
122 Gayoso Avenue, Suite 101  
Memphis, TN 38103  
Product made in China.  
[www.comfortproducts.net](http://www.comfortproducts.net)



OneSpace™

OneSpace is a Trademark of Comfort Products, Inc.