



No.:

Date: 19-DEC-2012

Customer :

TECHNICAL PROPOSAL

Three-phase induction motor - Squirrel cage rotor

Product line : W22 NEMA Premium - Ball Bearings

Catalog Number : 00312ET3E213TC-W22

List Price : \$1,180

Notes:

Performed by:

Checked:



No.:

Date: 19-DEC-2012

## DATA SHEET

### Three-phase induction motor - Squirrel cage rotor

Customer :  
Product line : W22 NEMA Premium - Ball Bearings

Frame : 213T  
Output : 3 HP  
Frequency : 60 Hz  
Poles : 6  
Full load speed : 1170  
Slip : 2.50 %  
Voltage : 208-230/460 V  
Rated current : 9.76-8.83/4.41 A  
Locked rotor current : 61.8/30.9 A  
Locked rotor current (I<sub>L</sub>/I<sub>n</sub>) : 7.0  
No-load current : 5.50/2.75 A  
Full load torque : 13.3 lb.ft  
Locked rotor torque : 200 %  
Breakdown torque : 280 %  
Design : B  
Insulation class : F  
Temperature rise : 80 K  
Locked rotor time : 58 s (hot)  
Service factor : 1.25  
Duty cycle : S1  
Ambient temperature : -20°C - +40°C  
Altitude : 1000  
Degree of Protection : IP55  
Approximate weight : 121 lb  
Moment of inertia : 1.1958 sq.ft.lb  
Noise level : 55 dB(A)

	D.E.	N.D.E.	Load	Power factor	Efficiency (%)
Bearings	6308 ZZ	6207 ZZ	100%	0.70	89.5
Regreasing interval	---	---	75%	0.63	88.5
Grease amount	---	---	50%	0.50	86.5

Notes:

Performed by

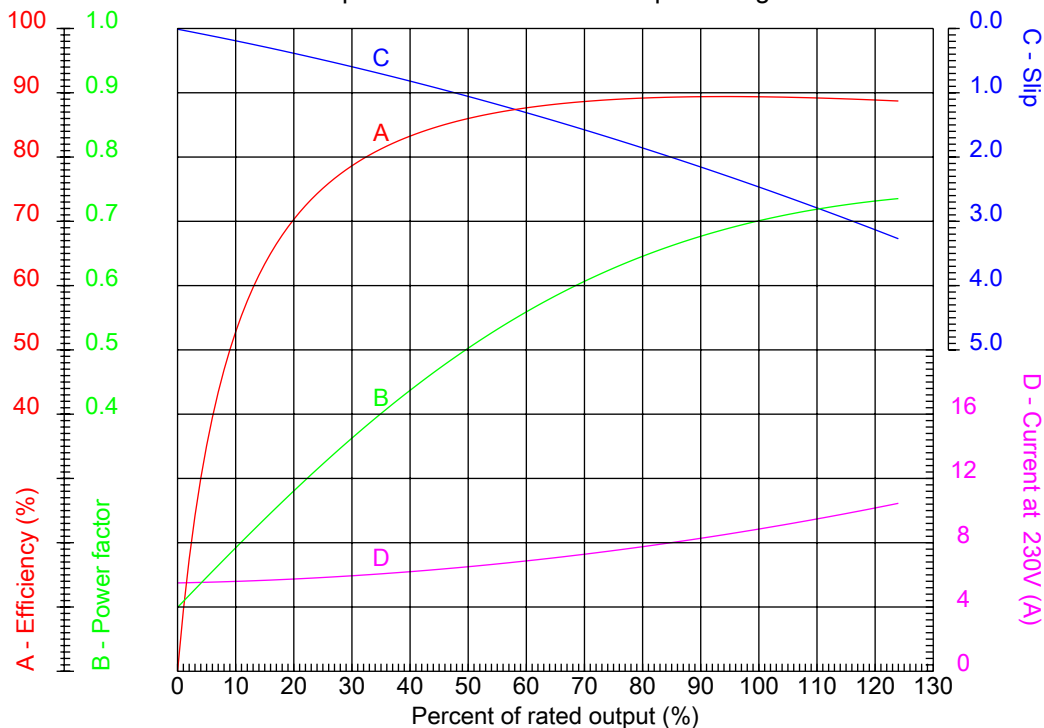
Checked



No.:

Date: 19-DEC-2012

### PERFORMANCE CURVES RELATED TO RATED OUTPUT Three-phase induction motor - Squirrel cage rotor



Customer :  
Product line : W22 NEMA Premium - Ball Bearings

Frame : 213T	Locked rotor current (I <sub>l</sub> /I <sub>n</sub> ) : 7.0
Output : 3 HP	Duty cycle : S1
Frequency : 60 Hz	Service factor : 1.25
Full load speed : 1170	Design : B
Voltage : 208-230/460 V	Locked rotor torque : 200 %
Rated current : 9.76-8.83/4.41 A	Breakdown torque : 280 %
Insulation class : F	

Notes:

Performed by

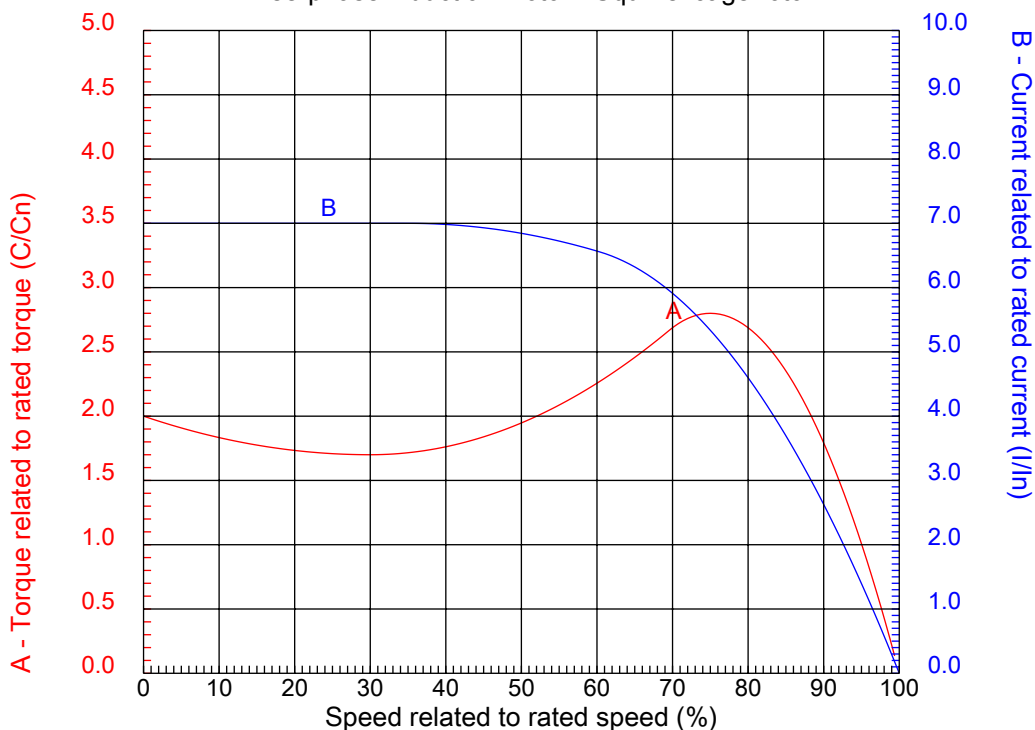
Checked



No.:

Date: 19-DEC-2012

### CHARACTERISTIC CURVES RELATED TO SPEED Three-phase induction motor - Squirrel cage rotor



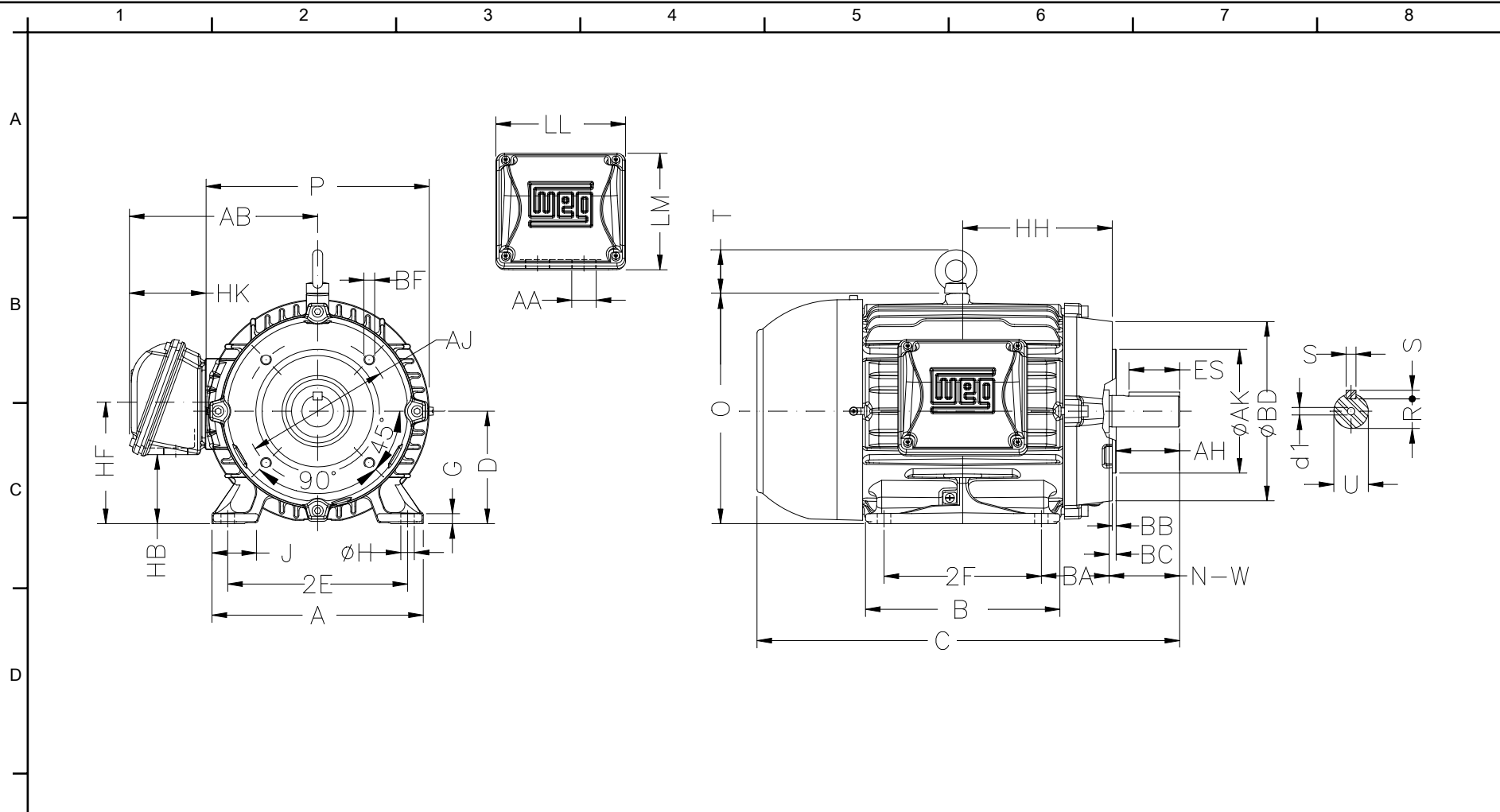
Customer :  
Product line : W22 NEMA Premium - Ball Bearings

Frame	: 213T	Locked rotor current (I <sub>l</sub> /I <sub>n</sub> )	: 7.0
Output	: 3 HP	Duty cycle	: S1
Frequency	: 60 Hz	Service factor	: 1.25
Full load speed	: 1170	Design	: B
Voltage	: 208-230/460 V	Locked rotor torque	: 200 %
Rated current	: 9.76-8.83/4.41 A	Breakdown torque	: 280 %
Insulation class	: F		

Notes:

Performed by

Checked



E	2E 8.500	J 1.988	A 9.764	P 10.669	AB 8.583
	2F 5.500	K 2.165	B 7.362	BA 3.500	FBA 5.921
	U 1.375	N-W 3.375	ES 2.480	S 0.313	R 1.203
	depth 0.313	D 5.250	G 0.827	HB 3.006	O 10.841
	T 1.772	HD 12.613	HF 5.250	HH 6.250	HK 3.110
F	H 0.406	C 18.021	LL 5.512	LM 5.236	AA NPT 1"
	d1 A 4	d2 A 4	Flange FC-184	AJ 7.250	AK 8.500
	BD 8.875	BF UNC 1/2"x13	BB 0.250	BC 0.250	AH 3.125

Notes:		
Performed by:		
Checked:		
Customer:		
W22 NEMA Premium - Ball Bearings		
Three-phase induction motor Frame 213T - IP55	19-DEC-2012	