



No.:

Date: 19-DEC-2012

Customer :

TECHNICAL PROPOSAL

Three-phase induction motor - Squirrel cage rotor

Product line : Three-Phase : ODP (IP21/IP23) - NEMA Premium Efficiency

Catalog Number : 03018OT3E286T

List Price : \$2,530

Notes:

Performed by:

Checked:



No.:

Date: 19-DEC-2012

DATA SHEET

Three-phase induction motor - Squirrel cage rotor

Customer :
Product line : Three-Phase : ODP (IP21/IP23) - NEMA Premium Efficiency

Frame : 286T
Output : 30 HP
Frequency : 60 Hz
Poles : 4
Full load speed : 1770
Slip : 1.67 %
Voltage : 208-230/460 V
Rated current : 78.3-70.8/35.4 A
Locked rotor current : 474/237 A
Locked rotor current (I_L/I_n) : 6.7
No-load current : 30.0/15.0 A
Full load torque : 87.8 lb.ft
Locked rotor torque : 260 %
Breakdown torque : 280 %
Design : B
Insulation class : F
Temperature rise : 80 K
Locked rotor time : 14 s (hot)
Service factor : 1.15
Duty cycle : S1
Ambient temperature : -20°C - +40°C
Altitude : 1000
Degree of Protection : IP23
Approximate weight : 394 lb
Moment of inertia : 4.8955 sq.ft.lb
Noise level : 63 dB(A)

	D.E.	N.D.E.	Load	Power factor	Efficiency (%)
Bearings	6311 Z-C3	6211 Z-C3	100%	0.83	94.1
Regreasing interval	20000 h	20000 h	75%	0.80	94.1
Grease amount	18 g	11 g	50%	0.70	93.6

Notes:

Performed by

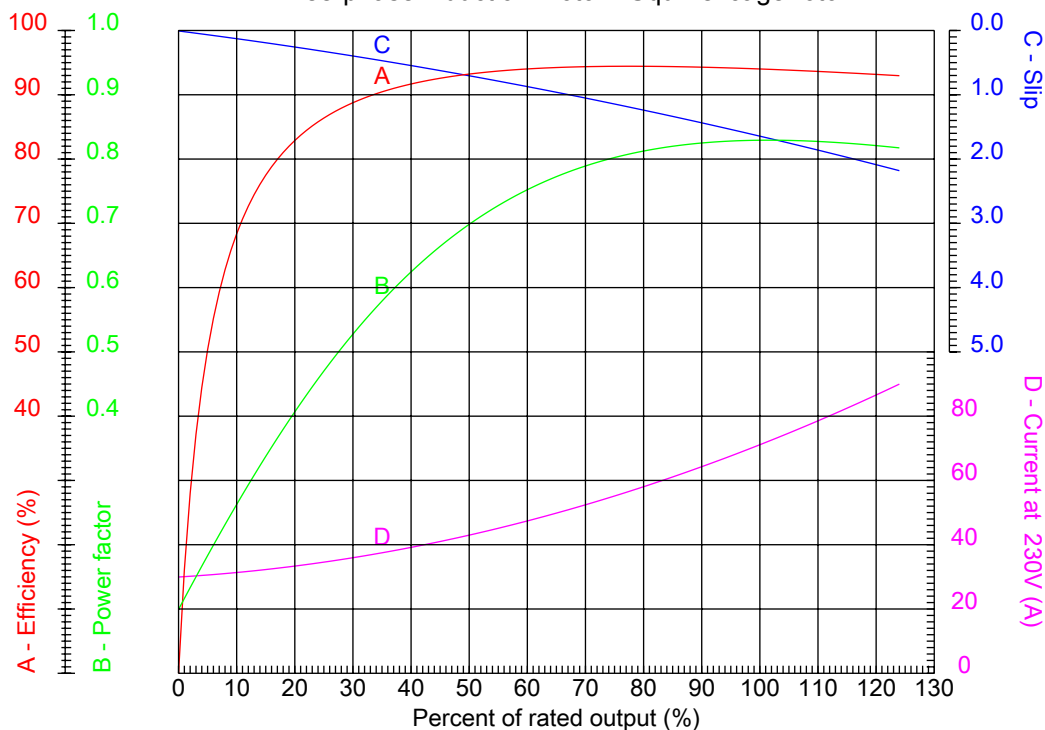
Checked



No.:

Date: 19-DEC-2012

PERFORMANCE CURVES RELATED TO RATED OUTPUT Three-phase induction motor - Squirrel cage rotor



Customer :
Product line : Three-Phase : ODP (IP21/IP23) - NEMA Premium Efficiency

Frame : 286T	Locked rotor current (I _l /I _n) : 6.7
Output : 30 HP	Duty cycle : S1
Frequency : 60 Hz	Service factor : 1.15
Full load speed : 1770	Design : B
Voltage : 208-230/460 V	Locked rotor torque : 260 %
Rated current : 78.3-70.8/35.4 A	Breakdown torque : 280 %
Insulation class : F	

Notes:

Performed by

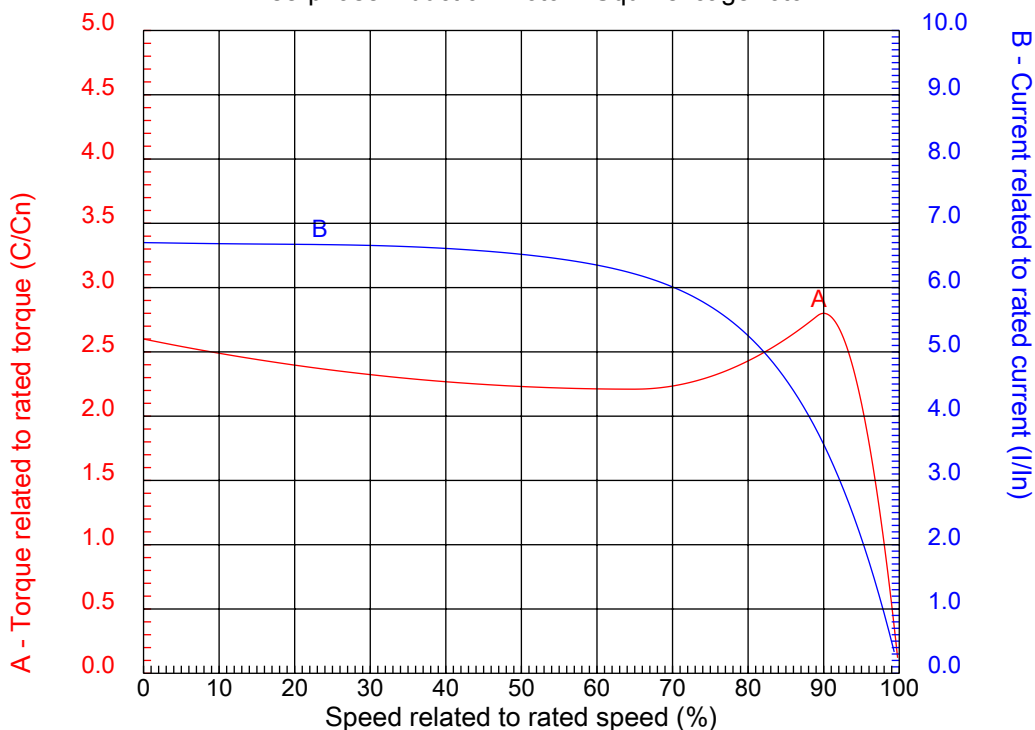
Checked



No.:

Date: 19-DEC-2012

CHARACTERISTIC CURVES RELATED TO SPEED Three-phase induction motor - Squirrel cage rotor



Customer :
Product line : Three-Phase : ODP (IP21/IP23) - NEMA Premium Efficiency

Frame	: 286T	Locked rotor current (I _l /I _{ln})	: 6.7
Output	: 30 HP	Duty cycle	: S1
Frequency	: 60 Hz	Service factor	: 1.15
Full load speed	: 1770	Design	: B
Voltage	: 208-230/460 V	Locked rotor torque	: 260 %
Rated current	: 78.3-70.8/35.4 A	Breakdown torque	: 280 %
Insulation class	: F		

Notes:

Performed by

Checked

1 2 3 4 5 6 7 8

A

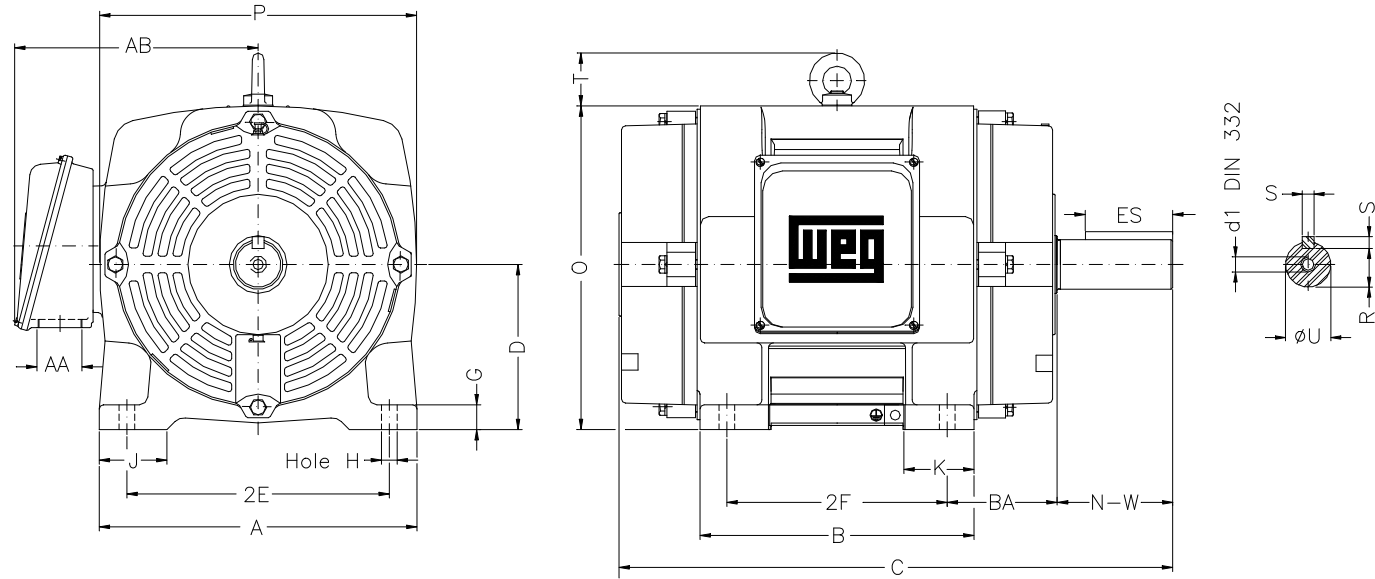
B

C

D

E

F



Notes:

2E 11.000	A 13.780	2F 11.000	B 13.070	BA 4.750
J 3.150	K 2.960	P 13.700	ES 3.149	depth 0.500
S 0.500	D 7.000	N-W 4.622	G 1.102	U 1.875
O 13.858	T 2.165	HD 16.023	R 1.594	H 0.531
AB 10.886	C 24.882	AA NPT 1 1/2"	d1 A 4	d2 A 4
Flange FD-317	AJ 12.500	AK 11.000	BD 14.000	BF 0.828
BB 0.203				

Performed by:

Checked:

Customer:

Three-Phase : ODP (IP21/IP23) - NEMA Premium Efficiency

Three-phase induction motor
Frame 286T - IP23

19-DEC-2012

