



No.:

Date: 19-DEC-2012

Customer :

TECHNICAL PROPOSAL

Three-phase induction motor - Squirrel cage rotor

Product line : Three-Phase : ODP (IP21/IP23) - NEMA Premium Efficiency

Catalog Number : 04012OT3E364T

List Price : \$5,544

Notes:

Performed by:

Checked:



No.:

Date: 19-DEC-2012

DATA SHEET

Three-phase induction motor - Squirrel cage rotor

Customer :
Product line : Three-Phase : ODP (IP21/IP23) - NEMA Premium Efficiency

Frame : 364/5T
Output : 40 HP
Frequency : 60 Hz
Poles : 6
Full load speed : 1185
Slip : 1.25 %
Voltage : 208-230/460 V
Rated current : 104-94.2/47.1 A
Locked rotor current : 631/316 A
Locked rotor current (I_L/I_n) : 6.7
No-load current : 38.0/19.0 A
Full load torque : 175 lb.ft
Locked rotor torque : 210 %
Breakdown torque : 260 %
Design : B
Insulation class : F
Temperature rise : 80 K
Locked rotor time : 24 s (hot)
Service factor : 1.15
Duty cycle : S1
Ambient temperature : -20°C - +40°C
Altitude : 1000
Degree of Protection : IP23
Approximate weight : 739 lb
Moment of inertia : 23.455 sq.ft.lb
Noise level : 67 dB(A)

	D.E.	N.D.E.	Load	Power factor	Efficiency (%)
Bearings	6314 C3	6314 C3	100%	0.85	94.1
Regreasing interval	20000 h	20000 h	75%	0.80	94.1
Grease amount	27 g	27 g	50%	0.71	93.6

Notes:

Performed by

Checked

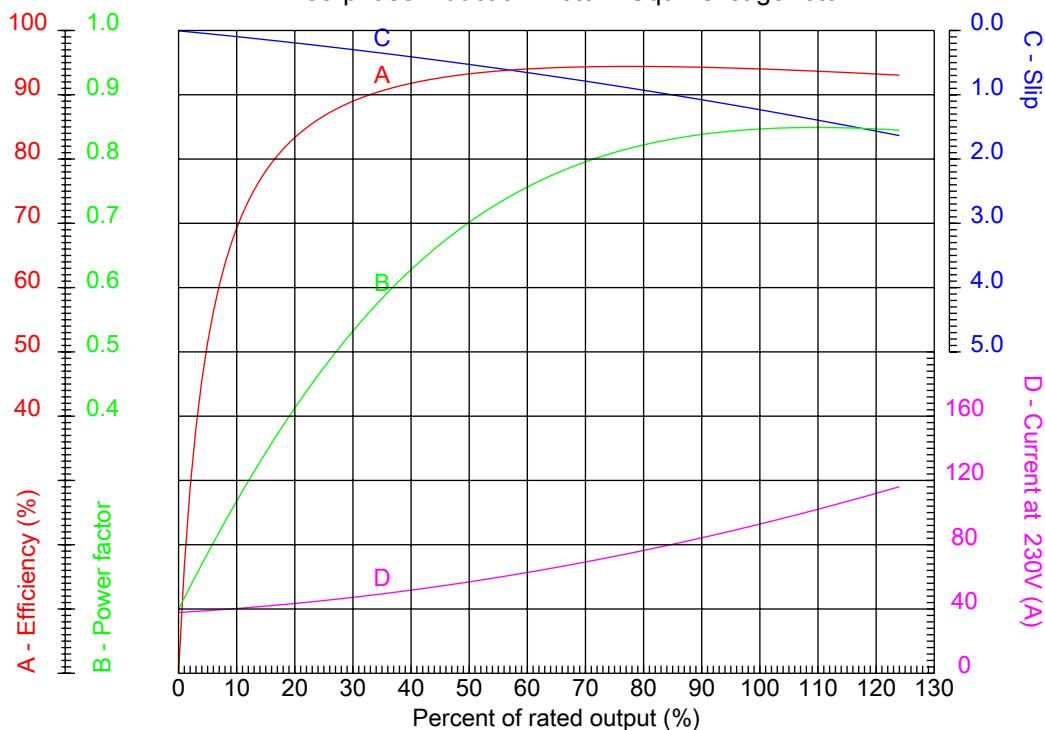


No.:

Date: 19-DEC-2012

PERFORMANCE CURVES RELATED TO RATED OUTPUT

Three-phase induction motor - Squirrel cage rotor



Customer :
Product line : Three-Phase : ODP (IP21/IP23) - NEMA Premium Efficiency

Frame	: 364/5T	Locked rotor current (I _l /I _n)	: 6.7
Output	: 40 HP	Duty cycle	: S1
Frequency	: 60 Hz	Service factor	: 1.15
Full load speed	: 1185	Design	: B
Voltage	: 208-230/460 V	Locked rotor torque	: 210 %
Rated current	: 104-94.2/47.1 A	Breakdown torque	: 260 %
Insulation class	: F		

Notes:

Performed by

Checked

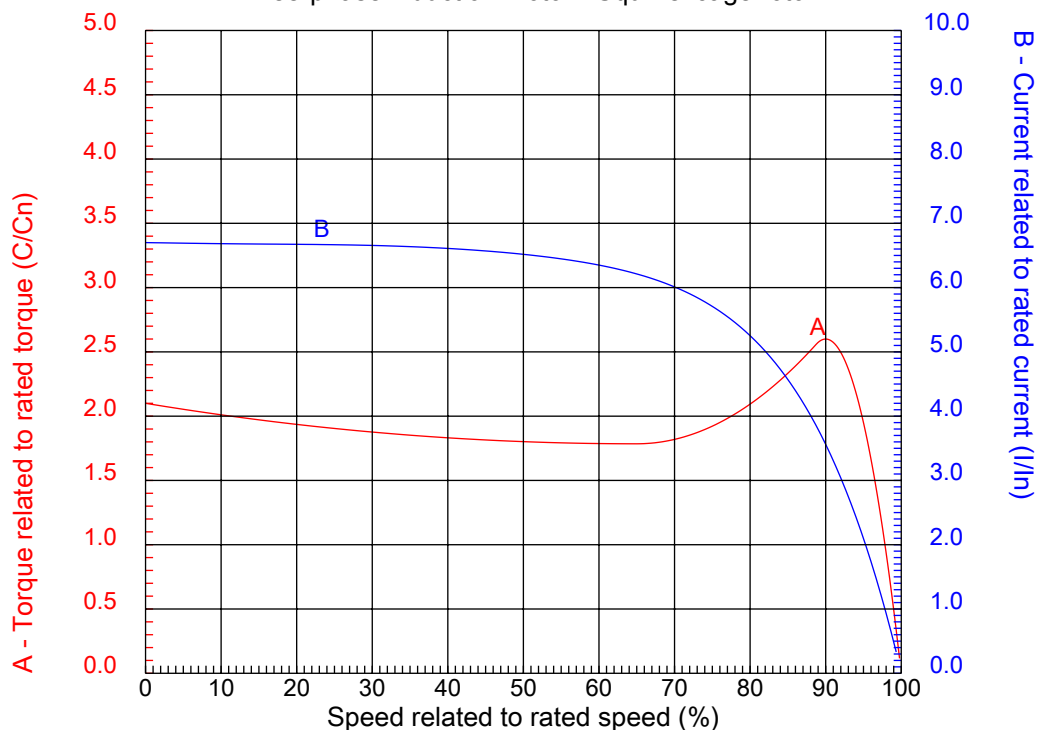


No.:

Date: 19-DEC-2012

CHARACTERISTIC CURVES RELATED TO SPEED

Three-phase induction motor - Squirrel cage rotor



Customer :
Product line : Three-Phase : ODP (IP21/IP23) - NEMA Premium Efficiency

Frame	: 364/5T	Locked rotor current (I _l /I _{ln})	: 6.7
Output	: 40 HP	Duty cycle	: S1
Frequency	: 60 Hz	Service factor	: 1.15
Full load speed	: 1185	Design	: B
Voltage	: 208-230/460 V	Locked rotor torque	: 210 %
Rated current	: 104-94.2/47.1 A	Breakdown torque	: 260 %
Insulation class	: F		

Notes:

Performed by

Checked

1 2 3 4 5 6 7 8

A

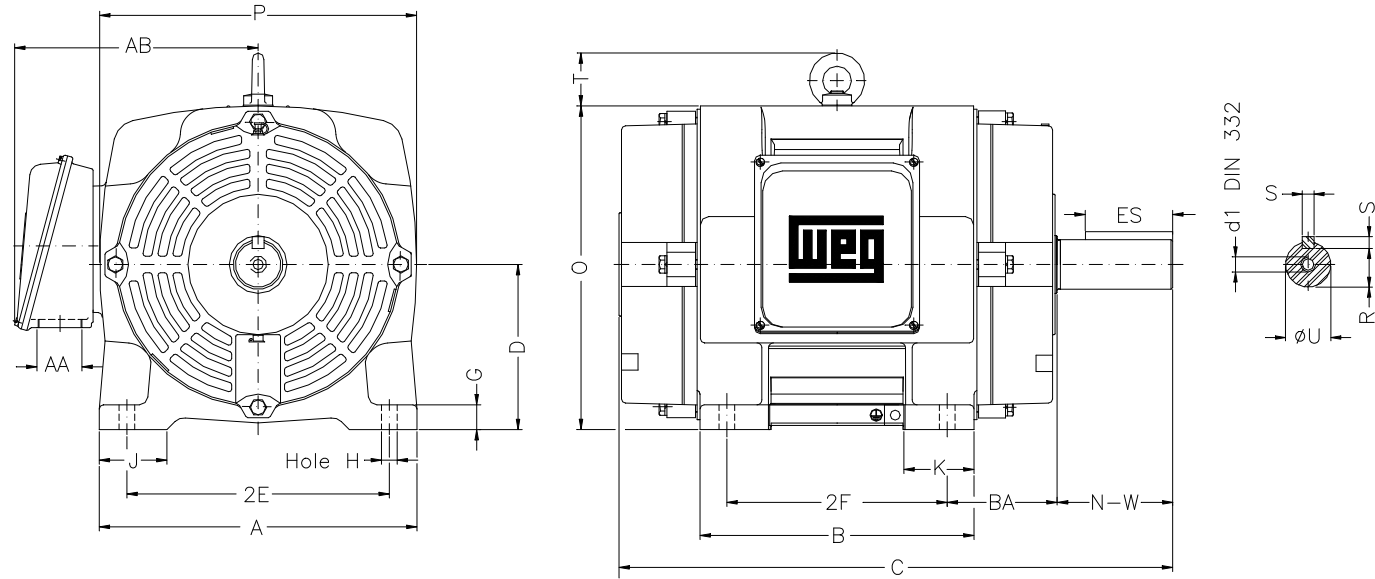
B

C

D

E

F



Notes:

2E 14.000	A 17.170	2F 11.250/12.250	B 15.400	BA 5.875
J 3.150	K 4.140	P 17.874	ES 4.330	depth 0.625
S 0.625	D 9.000	N-W 5.874	G 1.480	U 2.375
O 18.425	T 2.795	HD 21.220	R 2.019	H 0.657
AB 16.378	C 29.764	AA NPT 3"	d1 DUNC 3/4"-10	d2 DUNC 3/4"-10
Flange FD-406	AJ 16.000	AK 14.000	BD 17.716	BF 0.828
BB 0.250				

Performed by:

Checked:

Customer:

Three-Phase : ODP (IP21/IP23) - NEMA Premium Efficiency

Three-phase induction motor
Frame 364/5T - IP23

19-DEC-2012

