



No.:

Date: 19-DEC-2012

Customer :

TECHNICAL PROPOSAL

Three-phase induction motor - Squirrel cage rotor

Product line : Three-Phase : ODP (IP21/IP23) - NEMA Premium Efficiency

Catalog Number : 06012OT3E404T

List Price : \$7,562

Notes:

Performed by:

Checked:



No.:

Date: 19-DEC-2012

DATA SHEET

Three-phase induction motor - Squirrel cage rotor

Customer :
Product line : Three-Phase : ODP (IP21/IP23) - NEMA Premium Efficiency

Frame : 404/5T
Output : 60 HP
Frequency : 60 Hz
Poles : 6
Full load speed : 1185
Slip : 1.25 %
Voltage : 208-230/460 V
Rated current : 157-141/70.3 A
Locked rotor current : 914/457 A
Locked rotor current (I_L/I_n) : 6.5
No-load current : 50.0/25.0 A
Full load torque : 262 lb.ft
Locked rotor torque : 210 %
Breakdown torque : 250 %
Design : B
Insulation class : F
Temperature rise : 80 K
Locked rotor time : 16 s (hot)
Service factor : 1.15
Duty cycle : S1
Ambient temperature : -20°C - +40°C
Altitude : 1000
Degree of Protection : IP23
Approximate weight : 915 lb
Moment of inertia : 30.157 sq.ft.lb
Noise level : 69 dB(A)

	D.E.	N.D.E.	Load	Power factor	Efficiency (%)
Bearings	6316 C3	6314 C3	100%	0.85	94.5
Regreasing interval	20000 h	20000 h	75%	0.82	94.5
Grease amount	34 g	27 g	50%	0.73	94.1

Notes:

Performed by

Checked

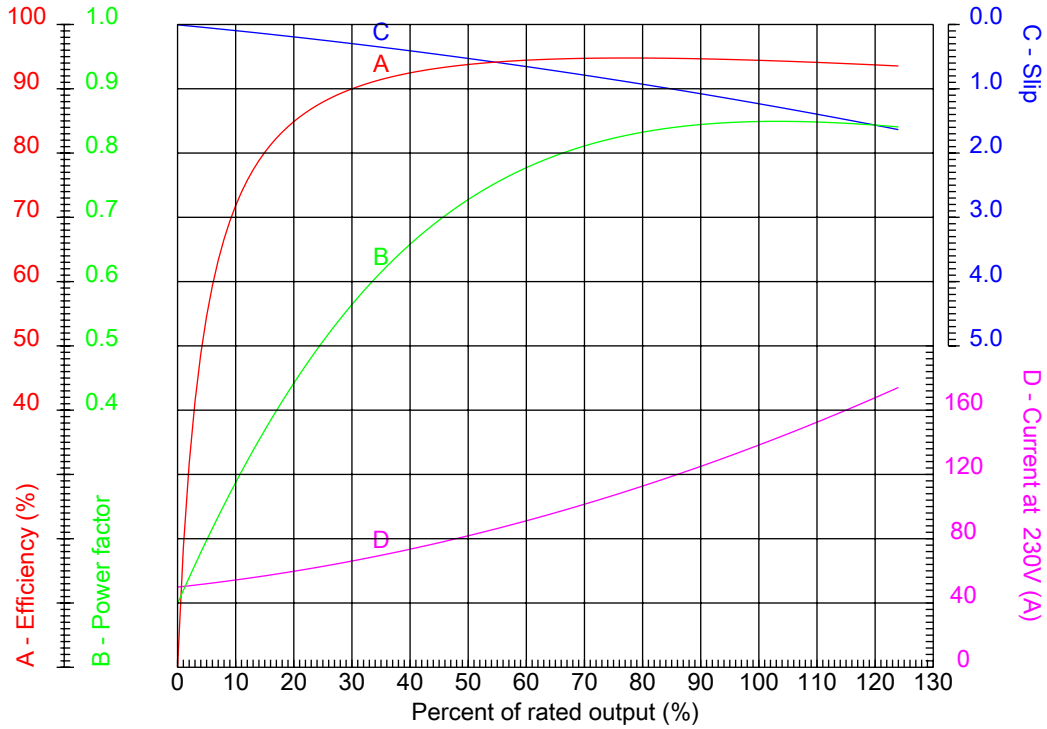


No.:

Date: 19-DEC-2012

PERFORMANCE CURVES RELATED TO RATED OUTPUT

Three-phase induction motor - Squirrel cage rotor



Customer :
Product line : Three-Phase : ODP (IP21/IP23) - NEMA Premium Efficiency

Frame	: 404/5T	Locked rotor current (I _l /I _n)	: 6.5
Output	: 60 HP	Duty cycle	: S1
Frequency	: 60 Hz	Service factor	: 1.15
Full load speed	: 1185	Design	: B
Voltage	: 208-230/460 V	Locked rotor torque	: 210 %
Rated current	: 157-141/70.3 A	Breakdown torque	: 250 %
Insulation class	: F		

Notes:

Performed by

Checked

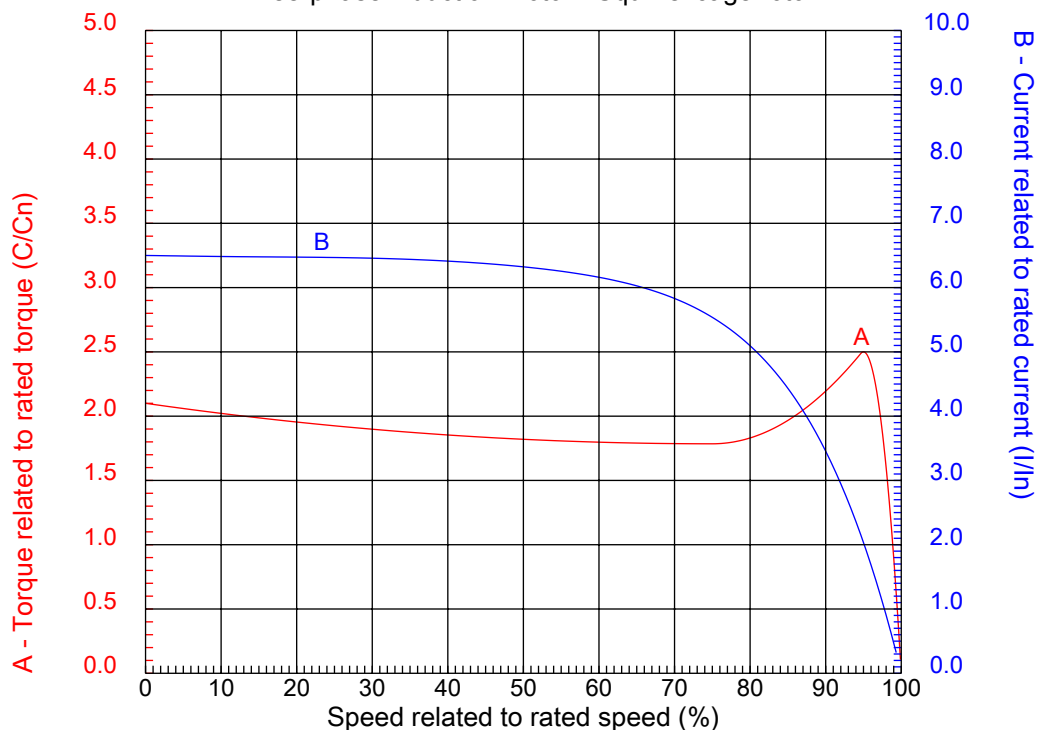


No.:

Date: 19-DEC-2012

CHARACTERISTIC CURVES RELATED TO SPEED

Three-phase induction motor - Squirrel cage rotor



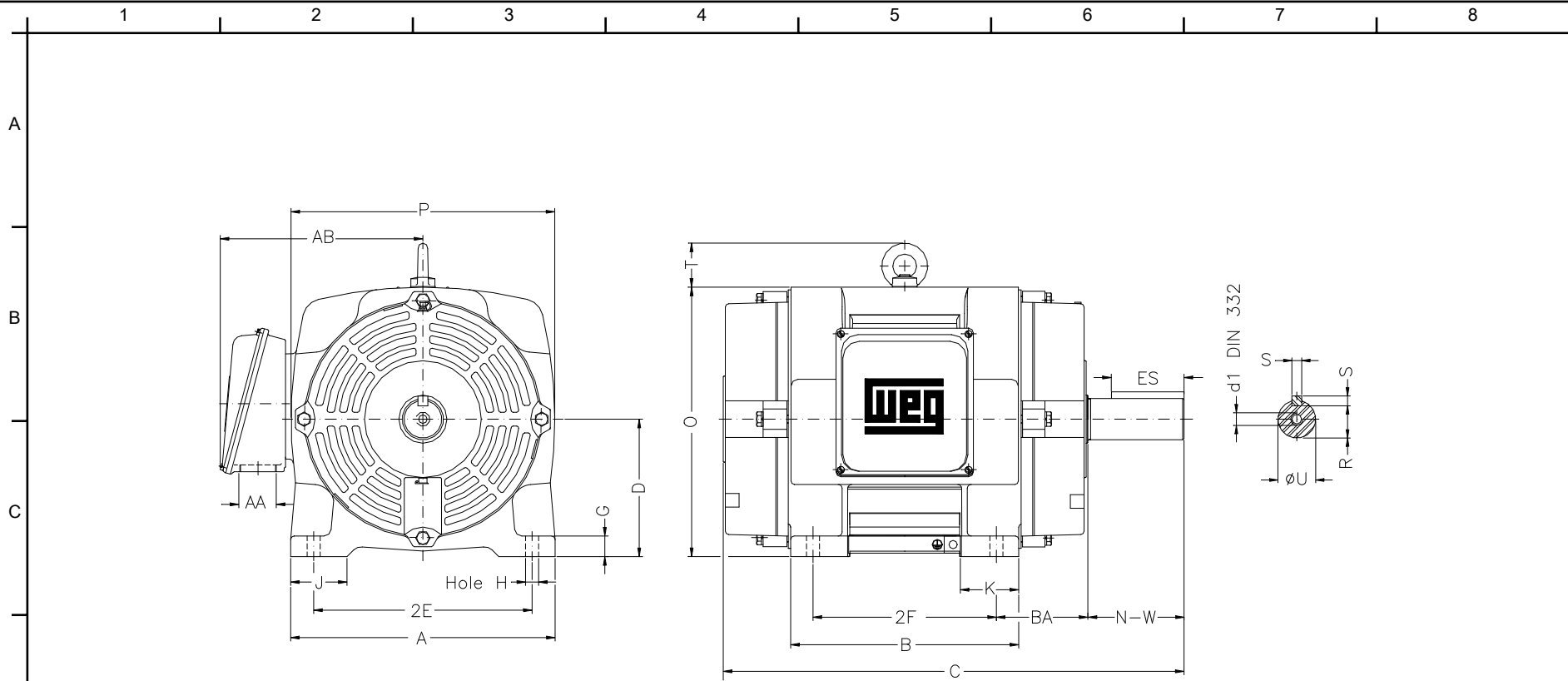
Customer :
Product line : Three-Phase : ODP (IP21/IP23) - NEMA Premium Efficiency

Frame	: 404/5T	Locked rotor current (I _l /I _n)	: 6.5
Output	: 60 HP	Duty cycle	: S1
Frequency	: 60 Hz	Service factor	: 1.15
Full load speed	: 1185	Design	: B
Voltage	: 208-230/460 V	Locked rotor torque	: 210 %
Rated current	: 157-141/70.3 A	Breakdown torque	: 250 %
Insulation class	: F		

Notes:

Performed by

Checked



Notes:

2E 16.000	A 19.950	2F 12.250/13.750	B 17.700	BA 6.625
J 3.950	K 5.440	P 17.874	ES 5.512	depth 0.750
S 0.750	D 10.000	N-W 7.250	G 1.968	U 2.875
O 19.409	T 2.8	HD 22.209	R 2.449	H 0.807
AB 16.378	C 34.133	AA NPT 3"	d1 DUNC 3/4"-10	d2 DUNC 3/4"-10
Flange FD-508	AJ 20.000	AK 18.000	BD 21.653	BF 0.828
BB 0.250				

Performed by:

Checked:

Customer:

Three-Phase : ODP (IP21/IP23) - NEMA Premium Efficiency

Three-phase induction motor
Frame 404/5T - IP23

19-DEC-2012

