



No.:

Date: 20-DEC-2012

Customer :

TECHNICAL PROPOSAL

Three-phase induction motor - Squirrel cage rotor

Product line : Three-Phase : ODP (IP21/IP23) - NEMA Premium Efficiency

Catalog Number : 10018OT3G404TS

List Price : \$7,141

Notes:

Performed by:

Checked:



No.:

Date: 20-DEC-2012

## DATA SHEET

### Three-phase induction motor - Squirrel cage rotor

Customer :  
Product line : Three-Phase : ODP (IP21/IP23) - NEMA Premium Efficiency

Frame : 404TS  
Output : 100 HP  
Frequency : 60 Hz  
Poles : 4  
Full load speed : 1780  
Slip : 1.11 %  
Voltage : 460 V  
Rated current : 113 A  
Locked rotor current : 757 A  
Locked rotor current (I<sub>L</sub>/I<sub>n</sub>) : 6.7  
No-load current : 42.0 A  
Full load torque : 291 lb.ft  
Locked rotor torque : 230 %  
Breakdown torque : 270 %  
Design : B  
Insulation class : F  
Temperature rise : 80 K  
Locked rotor time : 10 s (hot)  
Service factor : 1.15  
Duty cycle : S1  
Ambient temperature : -20°C - +40°C  
Altitude : 1000  
Degree of Protection : IP23  
Approximate weight : 1052 lb  
Moment of inertia : 22.836 sq.ft.lb  
Noise level : 69 dB(A)

	D.E.	N.D.E.	Load	Power factor	Efficiency (%)
Bearings	6316 C3	6314 C3	100%	0.87	95.4
Regreasing interval	20000 h	20000 h	75%	0.84	95.4
Grease amount	34 g	27 g	50%	0.77	95.0

Notes:

Performed by

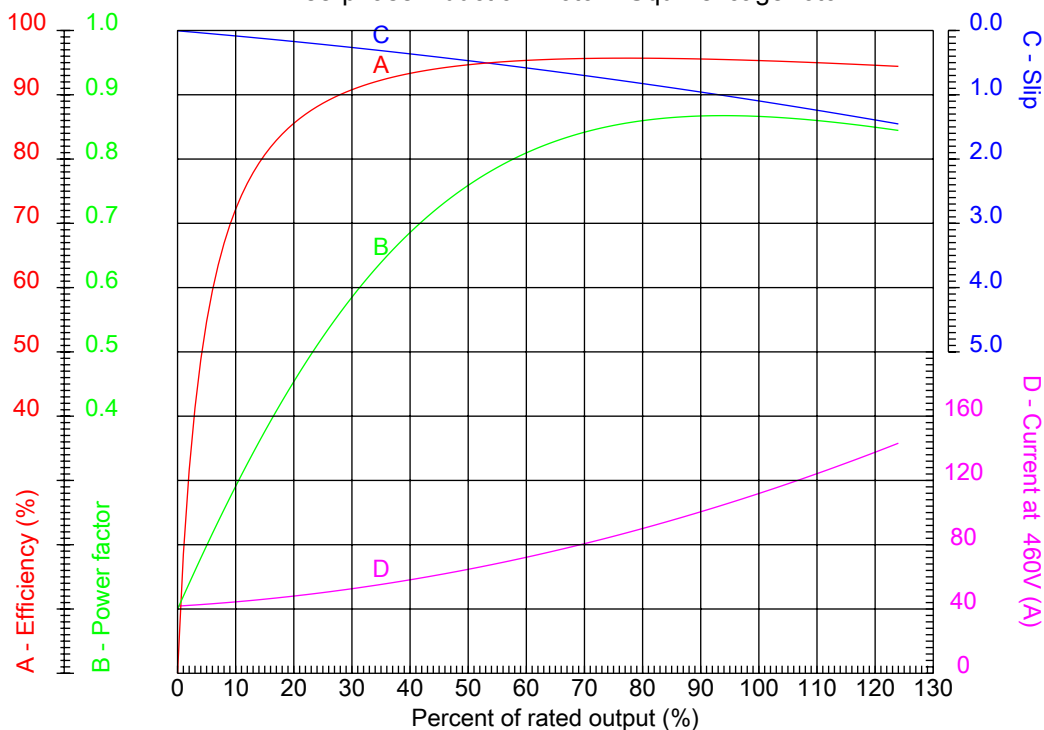
Checked



No.:

Date: 20-DEC-2012

### PERFORMANCE CURVES RELATED TO RATED OUTPUT Three-phase induction motor - Squirrel cage rotor



Customer :  
Product line : Three-Phase : ODP (IP21/IP23) - NEMA Premium Efficiency

Frame : 404TS	Locked rotor current (I <sub>l</sub> /I <sub>n</sub> ) : 6.7
Output : 100 HP	Duty cycle : S1
Frequency : 60 Hz	Service factor : 1.15
Full load speed : 1780	Design : B
Voltage : 460 V	Locked rotor torque : 230 %
Rated current : 113 A	Breakdown torque : 270 %
Insulation class : F	

Notes:

Performed by

Checked

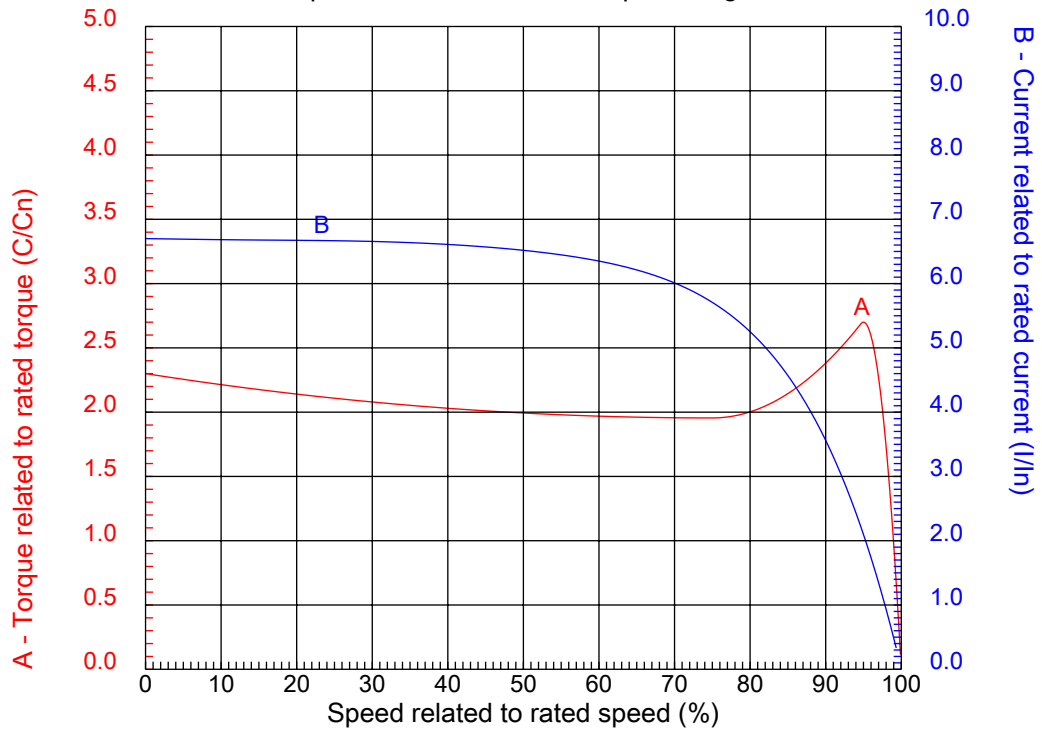


No.:

Date: 20-DEC-2012

### CHARACTERISTIC CURVES RELATED TO SPEED

Three-phase induction motor - Squirrel cage rotor



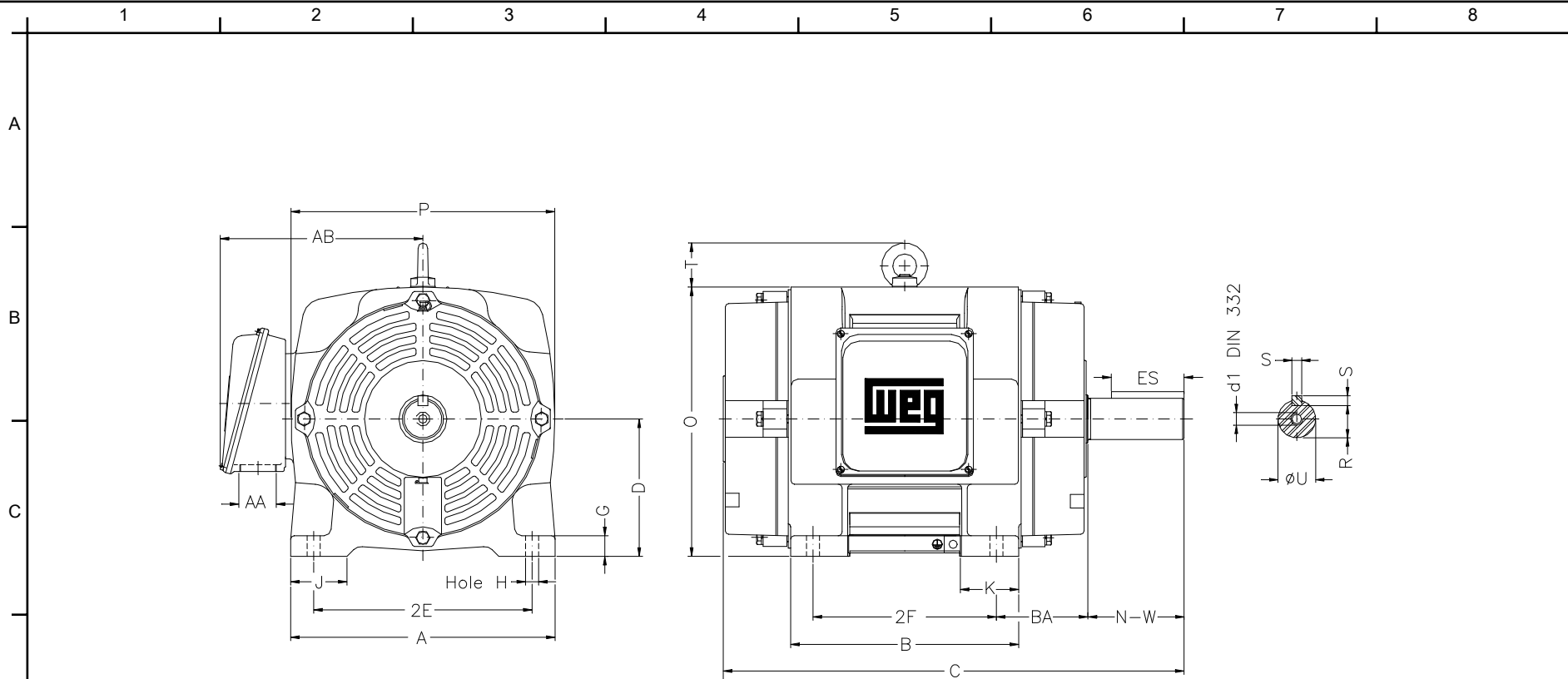
Customer :  
Product line : Three-Phase : ODP (IP21/IP23) - NEMA Premium Efficiency

Frame	: 404TS	Locked rotor current (I <sub>l</sub> /I <sub>n</sub> )	: 6.7
Output	: 100 HP	Duty cycle	: S1
Frequency	: 60 Hz	Service factor	: 1.15
Full load speed	: 1780	Design	: B
Voltage	: 460 V	Locked rotor torque	: 230 %
Rated current	: 113 A	Breakdown torque	: 270 %
Insulation class	: F		

Notes:

Performed by

Checked



Notes:

2E 16.000	A 19.950	2F 12.250/13.750	B 17.700	BA 6.625
J 3.950	K 5.440	P 17.874	ES 2.756	depth 0.500
S 0.500	D 10.000	N-W 4.250	G 1.968	U 2.125
O 19.409	T 2.8	HD 22.209	R 1.842	H 0.807
AB 16.378	C 31.141	AA NPT 3"	d1 DUNC 3/4"-10	d2 DUNC 3/4"-10
Flange FD-508	AJ 20.000	AK 18.000	BD 21.653	BF 0.828
BB 0.250				

Performed by:

Checked:

Customer:

Three-Phase : ODP (IP21/IP23) - NEMA Premium Efficiency

Three-phase induction motor  
Frame 404TS - IP23

20-DEC-2012

