



No.:

Date: 20-DEC-2012

Customer :

TECHNICAL PROPOSAL

Three-phase induction motor - Squirrel cage rotor

Product line : Three-Phase : ODP (IP21/IP23) - NEMA Premium Efficiency

Catalog Number : 10036OT3G365TS

List Price : \$6,644

Notes:

Performed by:

Checked:



No.:

Date: 20-DEC-2012

DATA SHEET

Three-phase induction motor - Squirrel cage rotor

Customer :
Product line : Three-Phase : ODP (IP21/IP23) - NEMA Premium Efficiency

Frame : 365TS
Output : 100 HP
Frequency : 60 Hz
Poles : 2
Full load speed : 3550
Slip : 1.39 %
Voltage : 460 V
Rated current : 111 A
Locked rotor current : 744 A
Locked rotor current (I_L/I_n) : 6.7
No-load current : 34.0 A
Full load torque : 146 lb.ft
Locked rotor torque : 190 %
Breakdown torque : 280 %
Design : B
Insulation class : F
Temperature rise : 80 K
Locked rotor time : 12 s (hot)
Service factor : 1.15
Duty cycle : S1
Ambient temperature : -20°C - +40°C
Altitude : 1000
Degree of Protection : IP23
Approximate weight : 587 lb
Moment of inertia : 8.3008 sq.ft.lb
Noise level : 83 dB(A)

	D.E.	N.D.E.	Load	Power factor	Efficiency (%)
Bearings	6314 C3	6314 C3	100%	0.90	94.5
Regreasing interval	14418 h	14418 h	75%	0.89	94.5
Grease amount	27 g	27 g	50%	0.84	94.1

Notes:

Performed by

Checked

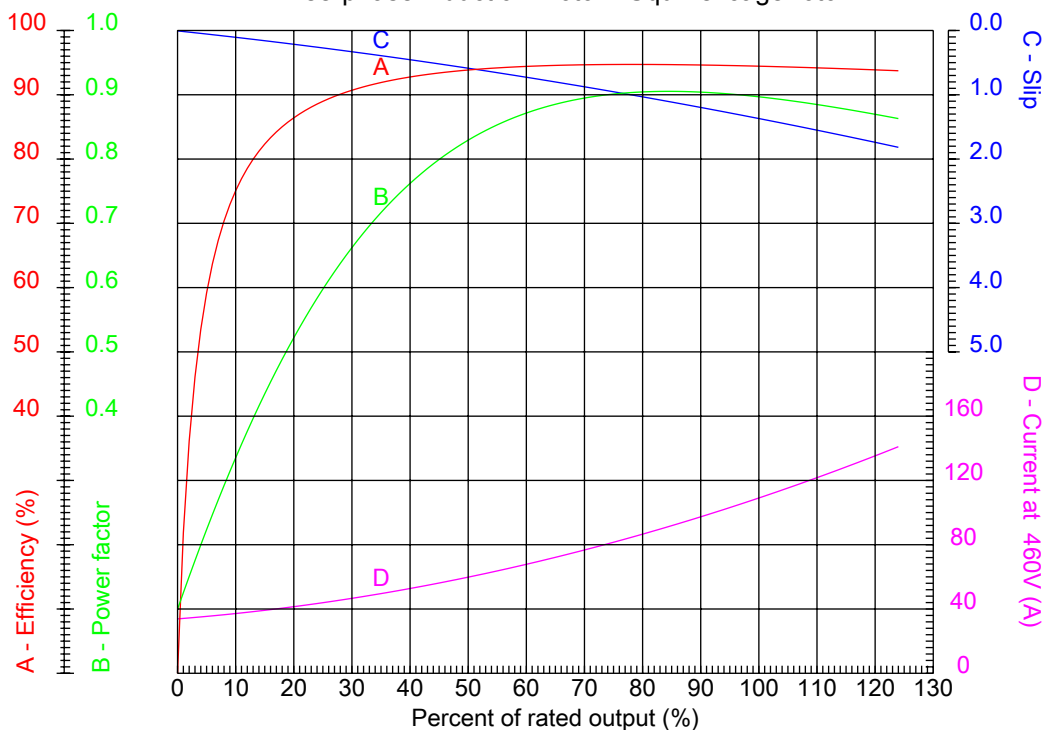


No.:

Date: 20-DEC-2012

PERFORMANCE CURVES RELATED TO RATED OUTPUT

Three-phase induction motor - Squirrel cage rotor



Customer :
Product line : Three-Phase : ODP (IP21/IP23) - NEMA Premium Efficiency

Frame : 365TS	Locked rotor current (I _L /I _n) : 6.7
Output : 100 HP	Duty cycle : S1
Frequency : 60 Hz	Service factor : 1.15
Full load speed : 3550	Design : B
Voltage : 460 V	Locked rotor torque : 190 %
Rated current : 111 A	Breakdown torque : 280 %
Insulation class : F	

Notes:

Performed by

Checked

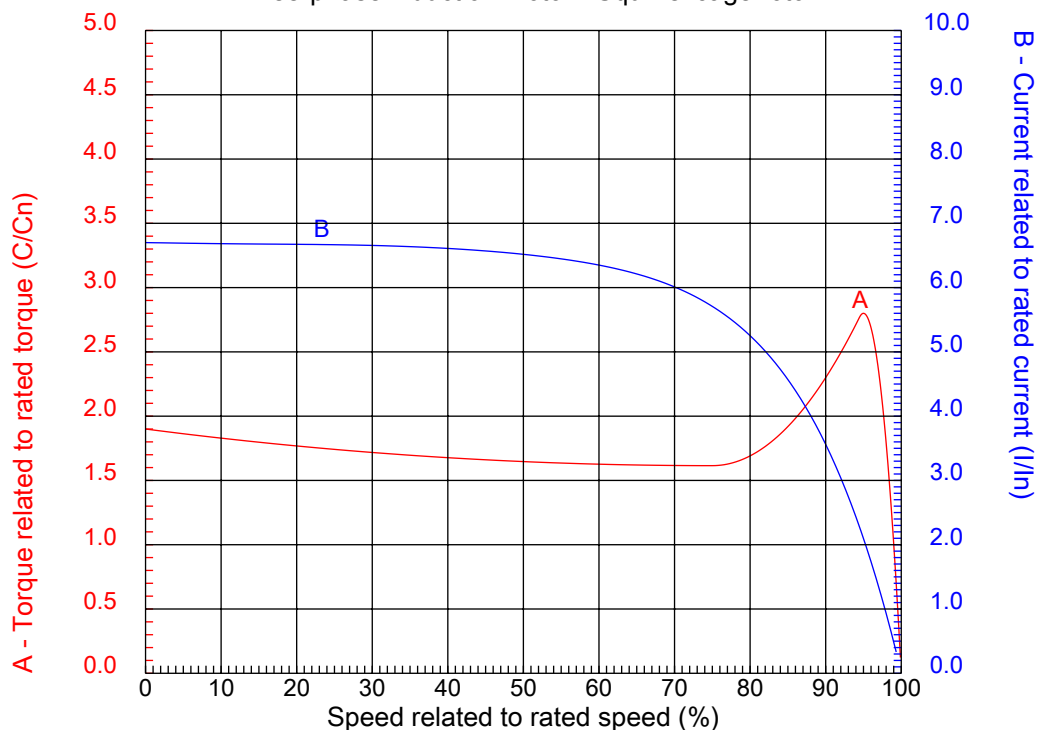


No.:

Date: 20-DEC-2012

CHARACTERISTIC CURVES RELATED TO SPEED

Three-phase induction motor - Squirrel cage rotor



Customer :
Product line : Three-Phase : ODP (IP21/IP23) - NEMA Premium Efficiency

Frame	: 365TS	Locked rotor current (I _l /I _n)	: 6.7
Output	: 100 HP	Duty cycle	: S1
Frequency	: 60 Hz	Service factor	: 1.15
Full load speed	: 3550	Design	: B
Voltage	: 460 V	Locked rotor torque	: 190 %
Rated current	: 111 A	Breakdown torque	: 280 %
Insulation class	: F		

Notes:

Performed by

Checked

1 2 3 4 5 6 7 8

A

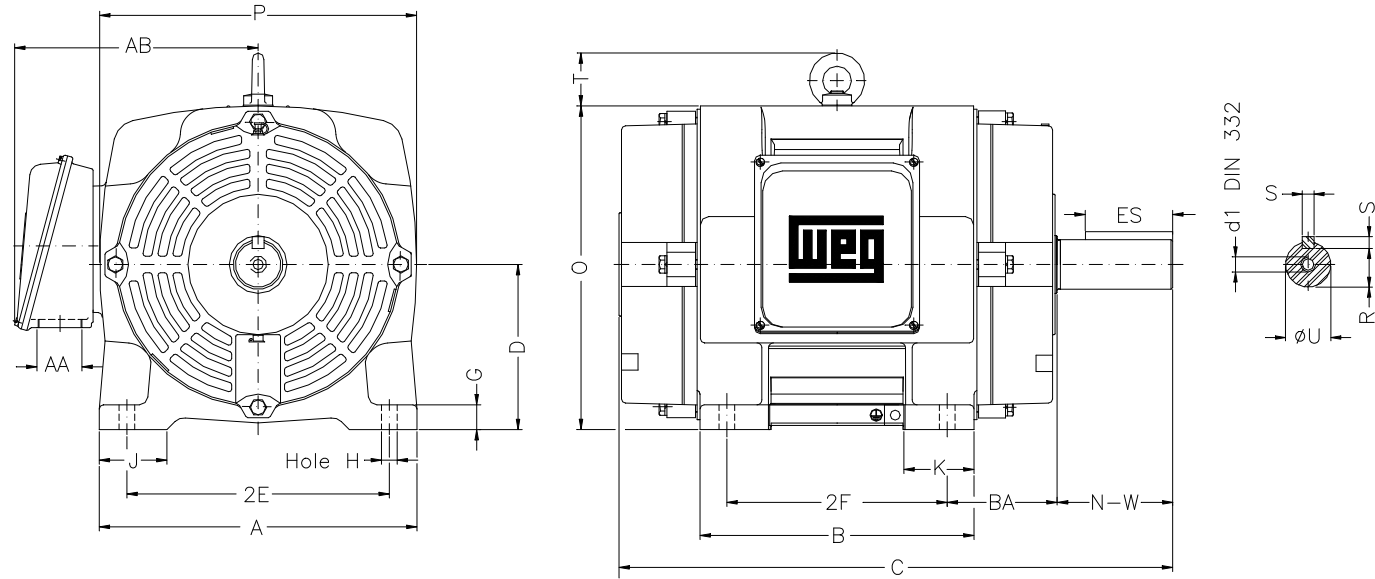
B

C

D

E

F



Notes:

2E 14.000	A 17.170	2F 11.250/12.250	B 15.400	BA 5.875
J 3.150	K 4.140	P 17.874	ES 1.968	depth 0.500
S 0.500	D 9.000	N-W 3.748	G 1.480	U 1.875
O 18.425	T 2.795	HD 21.220	R 1.591	H 0.657
AB 16.378	C 27.638	AA NPT 3"	d1 DUNC 3/4"-10	d2 DUNC 3/4"-10
Flange FD-406	AJ 16.000	AK 14.000	BD 17.716	BF 0.828
BB 0.250				

Performed by:

Checked:

Customer:

Three-Phase : ODP (IP21/IP23) - NEMA Premium Efficiency

Three-phase induction motor
Frame 365TS - IP23

20-DEC-2012

