



No.:

Date: 20-DEC-2012

Customer :

TECHNICAL PROPOSAL

Three-phase induction motor - Squirrel cage rotor

Product line : Three-Phase : ODP (IP21/IP23) - NEMA Premium Efficiency

Catalog Number : 15012OT3G445T

List Price : \$13,615

Notes:

Performed by:

Checked:



No.:

Date: 20-DEC-2012

## DATA SHEET

### Three-phase induction motor - Squirrel cage rotor

Customer :  
Product line : Three-Phase : ODP (IP21/IP23) - NEMA Premium Efficiency

Frame : 444/5T  
Output : 150 HP  
Frequency : 60 Hz  
Poles : 6  
Full load speed : 980  
Slip : 18.33 %  
Voltage : 380 V  
Rated current : 219 A  
Locked rotor current : 1450 A  
Locked rotor current (I<sub>L</sub>/I<sub>n</sub>) : 6.6  
No-load current : 83.6 A  
Full load torque : 793 lb.ft  
Locked rotor torque : 170 %  
Breakdown torque : 190 %  
Design : B  
Insulation class : F  
Temperature rise : 105 K  
Locked rotor time : 18 s (hot)  
Service factor : 1.00  
Duty cycle : S1  
Ambient temperature : -20°C - +40°C  
Altitude : 1000  
Degree of Protection : IP23  
Approximate weight : 2007 lb  
Moment of inertia : 57.166 sq.ft.lb  
Noise level : 79 dB(A)

	D.E.	N.D.E.	Load	Power factor	Efficiency (%)
Bearings	6319 C3	6316 C3	100%	0.81	94.1
Regreasing interval	20000 h	20000 h	75%	0.77	94.1
Grease amount	45 g	34 g	50%	0.68	94.1

Notes:

Performed by

Checked

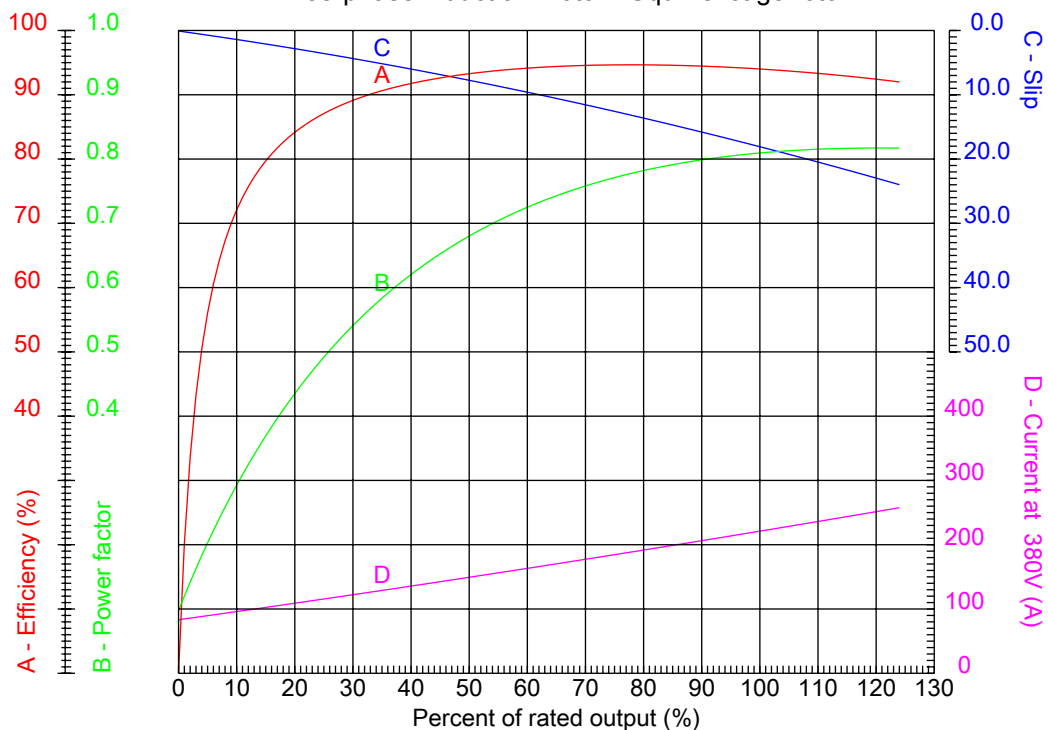


No.:

Date: 20-DEC-2012

### PERFORMANCE CURVES RELATED TO RATED OUTPUT

Three-phase induction motor - Squirrel cage rotor



Customer :  
Product line : Three-Phase : ODP (IP21/IP23) - NEMA Premium Efficiency

Frame	: 444/5T	Locked rotor current (I <sub>l</sub> /I <sub>n</sub> )	: 6.6
Output	: 150 HP	Duty cycle	: S1
Frequency	: 60 Hz	Service factor	: 1.00
Full load speed	: 980	Design	: B
Voltage	: 380 V	Locked rotor torque	: 170 %
Rated current	: 219 A	Breakdown torque	: 190 %
Insulation class	: F		

Notes:

Performed by

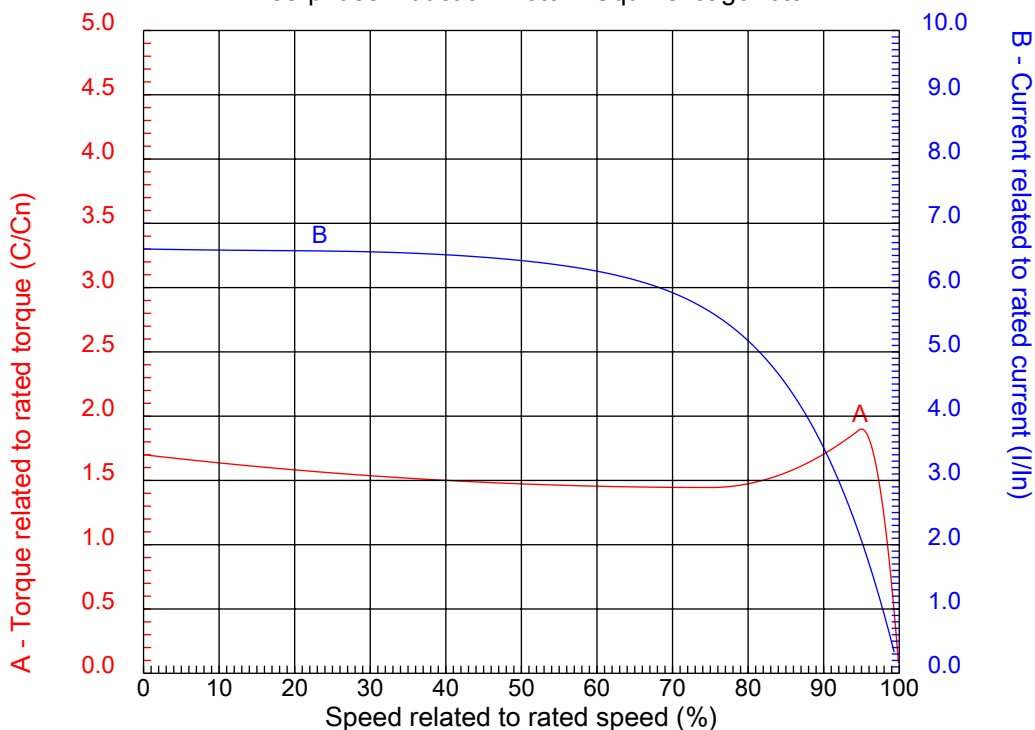
Checked



No.:

Date: 20-DEC-2012

### CHARACTERISTIC CURVES RELATED TO SPEED Three-phase induction motor - Squirrel cage rotor



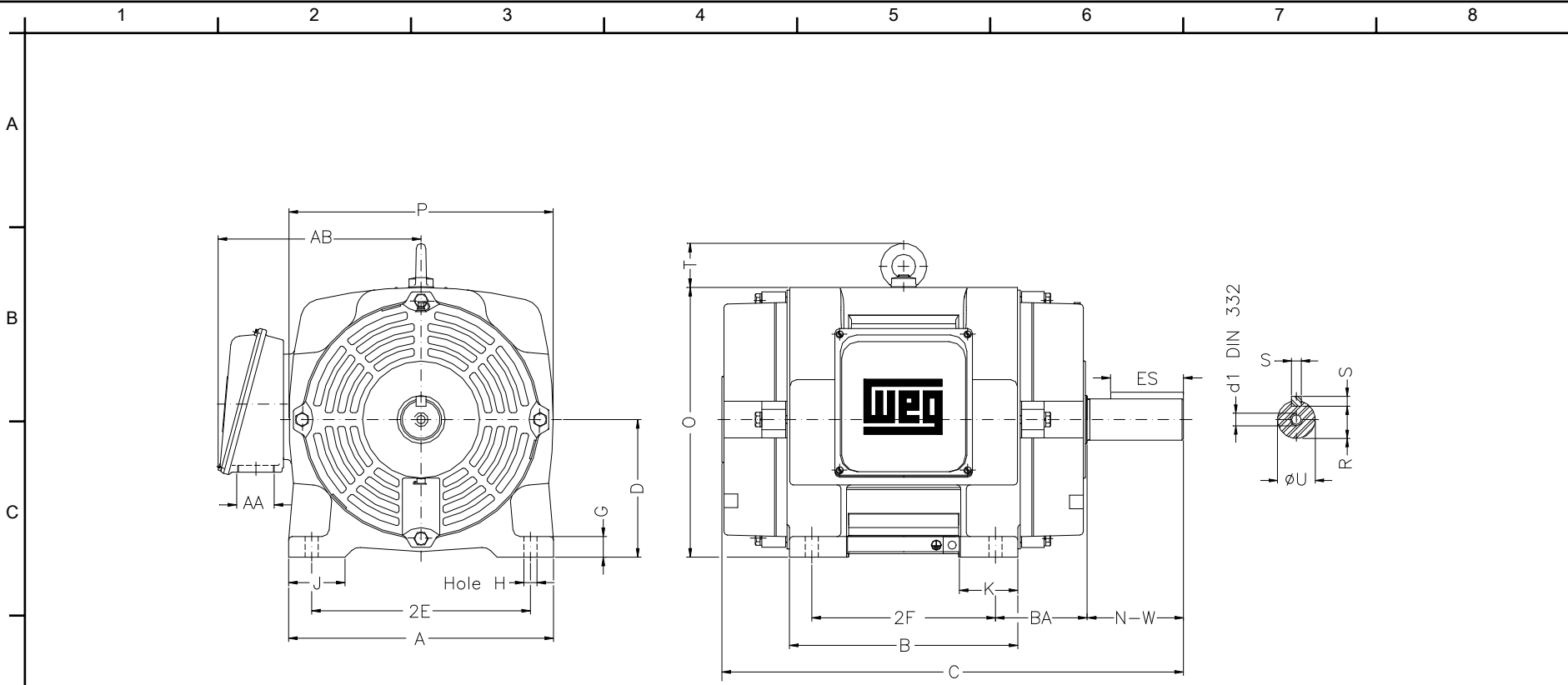
Customer :  
Product line : Three-Phase : ODP (IP21/IP23) - NEMA Premium Efficiency

Frame	: 444/5T	Locked rotor current (I <sub>l</sub> /I <sub>n</sub> )	: 6.6
Output	: 150 HP	Duty cycle	: S1
Frequency	: 60 Hz	Service factor	: 1.00
Full load speed	: 980	Design	: B
Voltage	: 380 V	Locked rotor torque	: 170 %
Rated current	: 219 A	Breakdown torque	: 190 %
Insulation class	: F		

Notes:

Performed by

Checked



Notes:

2E 18.000	A 21.929	2F 14.500/16.500	B 20.078	BA 7.500
J 3.937	K 5.590	P 22.125	ES 7.087	depth 0.875
S 0.875	D 11.000	N-W 8.500	G 1.811	U 3.375
O 22.440	T 3.544	HD 25.984	R 2.880	H 0.807
AB 20.236	C 39.803	AA 2XNPT 3"	d1 DUNC 3/4"-10	d2 DUNC 3/4"-10
Flange FD-508	AJ 20.000	AK 18.000	BD 21.653	BF 0.828
BB 0.250				

Performed by:

Checked:

Customer:

Three-Phase : ODP (IP21/IP23) - NEMA Premium Efficiency

Three-phase induction motor  
Frame 444/5T - IP23

20-DEC-2012

