



No.:

Date: 20-DEC-2012

Customer :

TECHNICAL PROPOSAL

Three-phase induction motor - Squirrel cage rotor

Product line : Three-Phase : ODP (IP21/IP23) - NEMA Premium Efficiency

Catalog Number : 20036OT3G444TS

List Price : \$14,504

Notes:

Performed by:

Checked:



No.:

Date: 20-DEC-2012

## DATA SHEET

### Three-phase induction motor - Squirrel cage rotor

Customer :  
Product line : Three-Phase : ODP (IP21/IP23) - NEMA Premium Efficiency

Frame : 444TS  
Output : 200 HP  
Frequency : 60 Hz  
Poles : 2  
Full load speed : 3575  
Slip : 0.69 %  
Voltage : 460 V  
Rated current : 223 A  
Locked rotor current : 1450 A  
Locked rotor current (I<sub>L</sub>/I<sub>n</sub>) : 6.5  
No-load current : 64.0 A  
Full load torque : 290 lb.ft  
Locked rotor torque : 190 %  
Breakdown torque : 250 %  
Design : B  
Insulation class : F  
Temperature rise : 80 K  
Locked rotor time : 20 s (hot)  
Service factor : 1.15  
Duty cycle : S1  
Ambient temperature : -20°C - +40°C  
Altitude : 1000  
Degree of Protection : IP23  
Approximate weight : 1537 lb  
Moment of inertia : 25.689 sq.ft.lb  
Noise level : 88 dB(A)

	D.E.	N.D.E.	Load	Power factor	Efficiency (%)
Bearings	6314 C3	6314 C3	100%	0.89	95.0
Regreasing interval	14418 h	14418 h	75%	0.87	94.5
Grease amount	27 g	27 g	50%	0.81	93.6

Notes:

Performed by

Checked

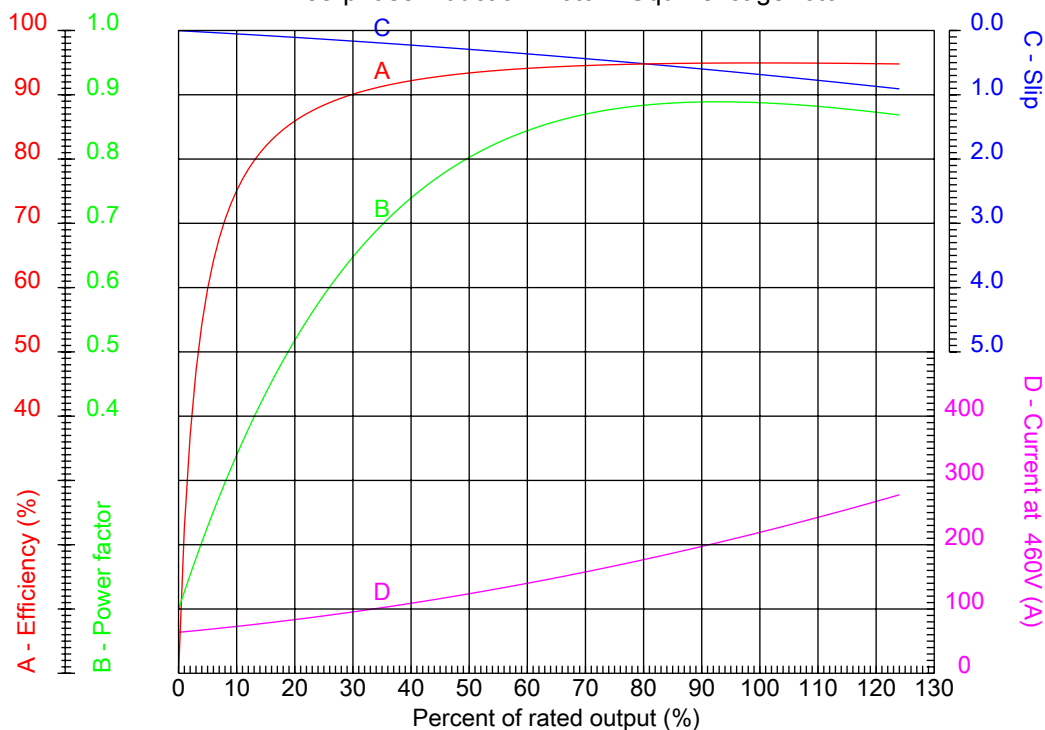


No.:

Date: 20-DEC-2012

### PERFORMANCE CURVES RELATED TO RATED OUTPUT

Three-phase induction motor - Squirrel cage rotor



Customer :  
Product line : Three-Phase : ODP (IP21/IP23) - NEMA Premium Efficiency

Frame : 444TS	Locked rotor current (I <sub>l</sub> /I <sub>n</sub> ) : 6.5
Output : 200 HP	Duty cycle : S1
Frequency : 60 Hz	Service factor : 1.15
Full load speed : 3575	Design : B
Voltage : 460 V	Locked rotor torque : 190 %
Rated current : 223 A	Breakdown torque : 250 %
Insulation class : F	

Notes:

Performed by

Checked

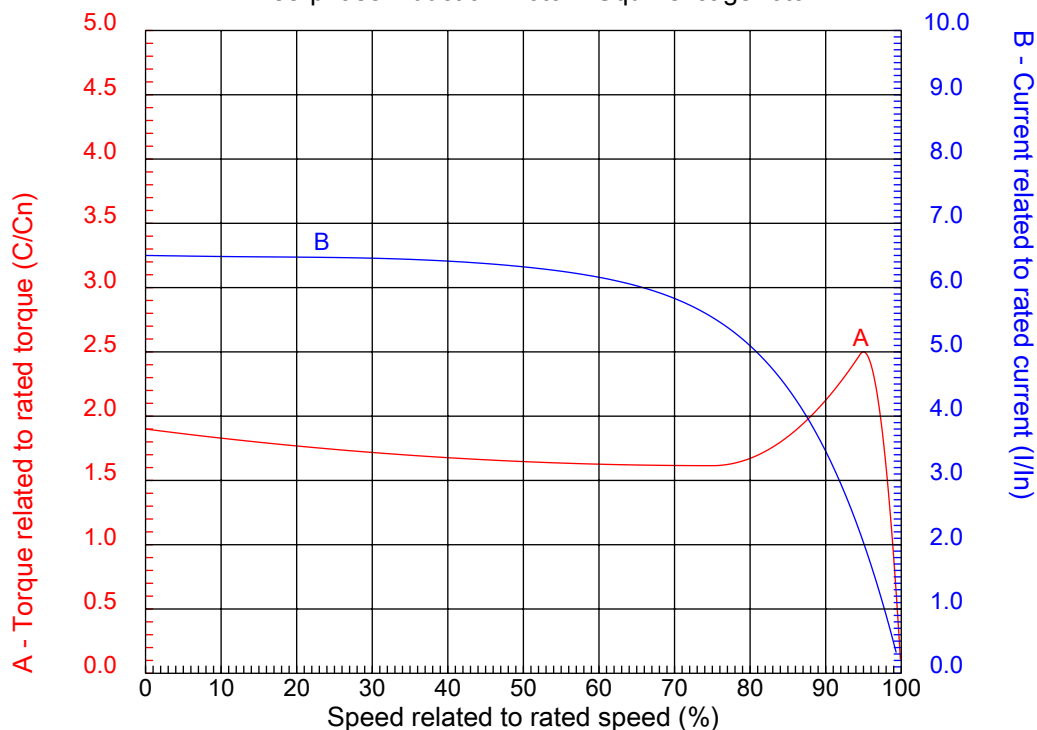


No.:

Date: 20-DEC-2012

### CHARACTERISTIC CURVES RELATED TO SPEED

Three-phase induction motor - Squirrel cage rotor



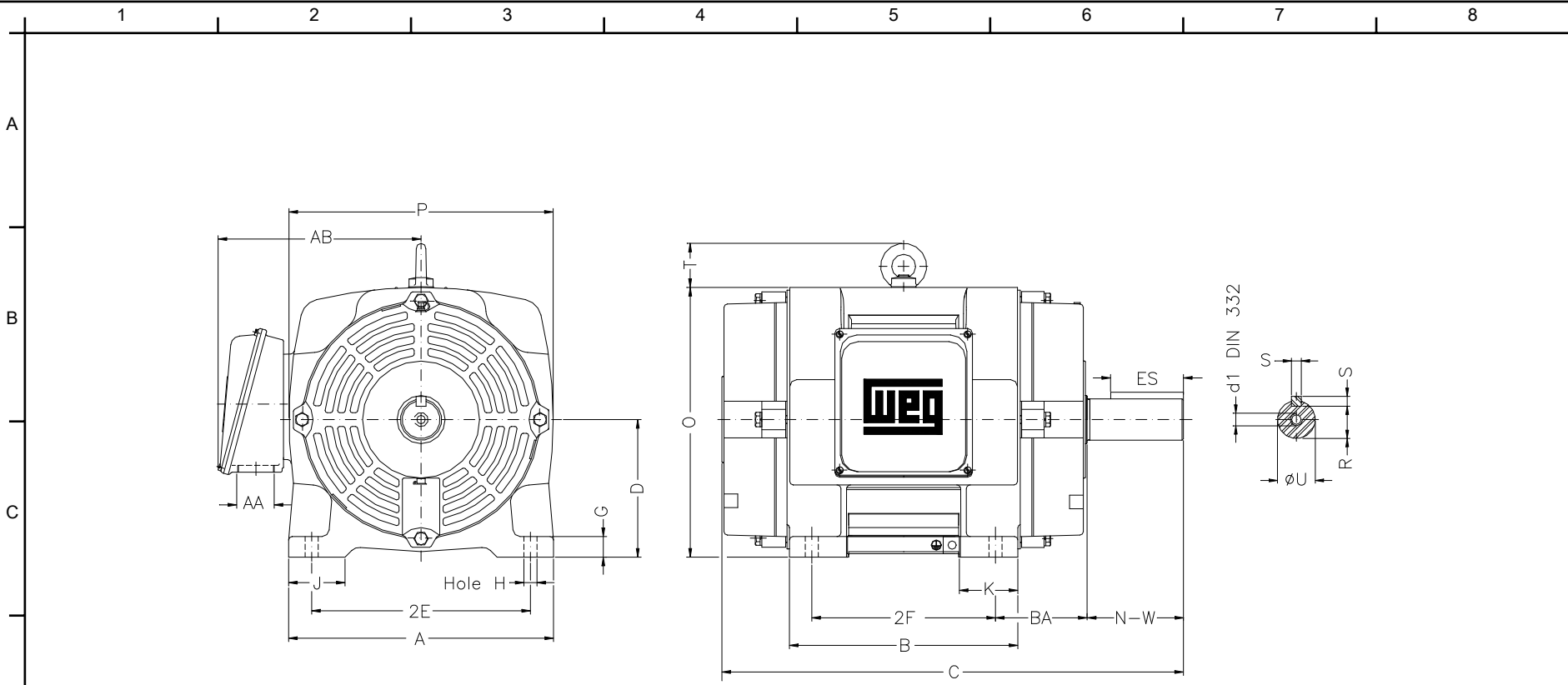
Customer :  
Product line : Three-Phase : ODP (IP21/IP23) - NEMA Premium Efficiency

Frame	: 444TS	Locked rotor current (I <sub>l</sub> /I <sub>n</sub> )	: 6.5
Output	: 200 HP	Duty cycle	: S1
Frequency	: 60 Hz	Service factor	: 1.15
Full load speed	: 3575	Design	: B
Voltage	: 460 V	Locked rotor torque	: 190 %
Rated current	: 223 A	Breakdown torque	: 250 %
Insulation class	: F		

Notes:

Performed by

Checked



Notes:

2E 18.000	A 21.929	2F 14.500/16.500	B 20.078	BA 7.500
J 3.937	K 5.590	P 22.125	ES 3.000	depth 0.625
S 0.625	D 11.000	N-W 4.750	G 1.811	U 2.375
O 22.440	T 3.544	HD 25.984	R 2.021	H 0.807
AB 20.236	C 36.062	AA 2XNPT 3"	d1 DUNC 3/4"-10	d2 DUNC 3/4"-10
Flange FD-508	AJ 20.000	AK 18.000	BD 21.653	BF 0.828
BB 0.250				

Performed by:

Checked:

Customer:

Three-Phase : ODP (IP21/IP23) - NEMA Premium Efficiency

Three-phase induction motor  
Frame 444TS - IP23

20-DEC-2012

