



No.:

Date: 20-DEC-2012

Customer :

TECHNICAL PROPOSAL

Three-phase induction motor - Squirrel cage rotor

Product line : Three-Phase : ODP (IP21/IP23) - NEMA Premium Efficiency

Catalog Number : 30018OT3G447/9T

List Price : \$24,878

Notes:

Performed by:

Checked:



No.:

Date: 20-DEC-2012

DATA SHEET

Three-phase induction motor - Squirrel cage rotor

Customer :
Product line : Three-Phase : ODP (IP21/IP23) - NEMA Premium Efficiency

Frame : 447/9T
Output : 300 HP
Frequency : 60 Hz
Poles : 4
Full load speed : 1780
Slip : 1.11 %
Voltage : 460 V
Rated current : 324 A
Locked rotor current : 2300 A
Locked rotor current (I_L/I_n) : 7.1
No-load current : 90.0 A
Full load torque : 873 lb.ft
Locked rotor torque : 220 %
Breakdown torque : 230 %
Design : B
Insulation class : F
Temperature rise : 80 K
Locked rotor time : 10 s (hot)
Service factor : 1.15
Duty cycle : S1
Ambient temperature : -20°C - +40°C
Altitude : 1000
Degree of Protection : IP23
Approximate weight : 2095 lb
Moment of inertia : 56.147 sq.ft.lb
Noise level : 77 dB(A)

| | D.E. | N.D.E. | Load | Power factor | Efficiency (%) |
|---------------------|---------|---------|------|--------------|----------------|
| Bearings | 6319 C3 | 6316 C3 | 100% | 0.89 | 95.8 |
| Regreasing interval | 20000 h | 20000 h | 75% | 0.87 | 95.8 |
| Grease amount | 45 g | 34 g | 50% | 0.81 | 95.8 |

Notes:

Performed by

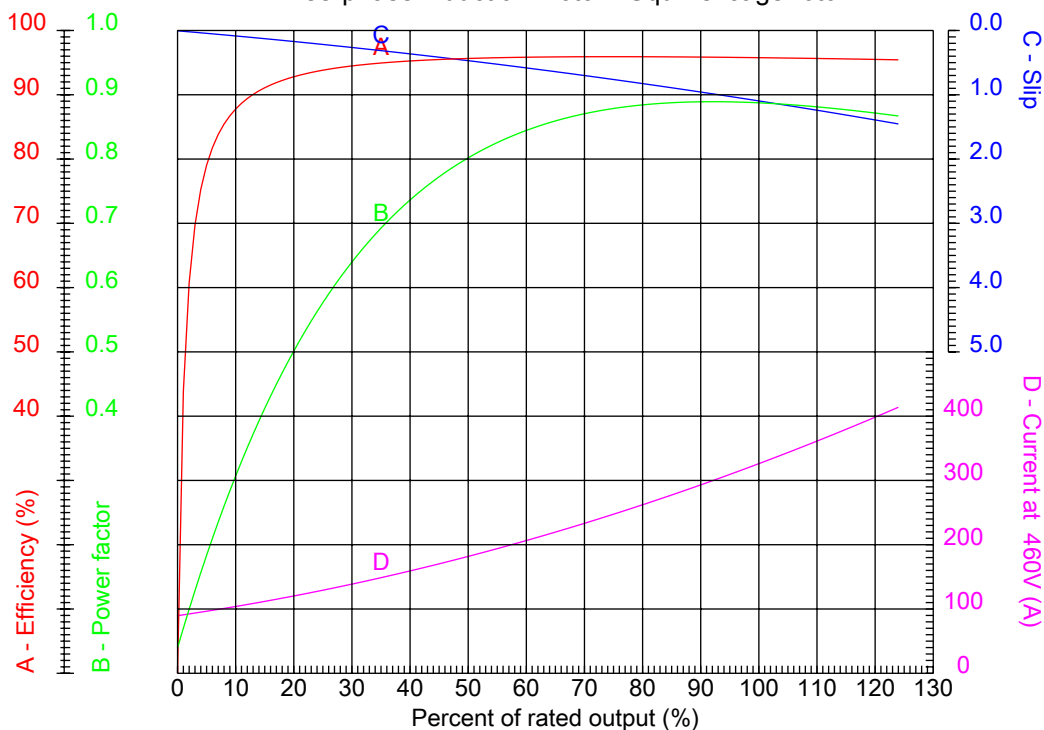
Checked



No.:

Date: 20-DEC-2012

PERFORMANCE CURVES RELATED TO RATED OUTPUT Three-phase induction motor - Squirrel cage rotor



Customer :
Product line : Three-Phase : ODP (IP21/IP23) - NEMA Premium Efficiency

| | |
|------------------------|--|
| Frame : 447/9T | Locked rotor current (I _l /I _n) : 7.1 |
| Output : 300 HP | Duty cycle : S1 |
| Frequency : 60 Hz | Service factor : 1.15 |
| Full load speed : 1780 | Design : B |
| Voltage : 460 V | Locked rotor torque : 220 % |
| Rated current : 324 A | Breakdown torque : 230 % |
| Insulation class : F | |

Notes:

Performed by

Checked

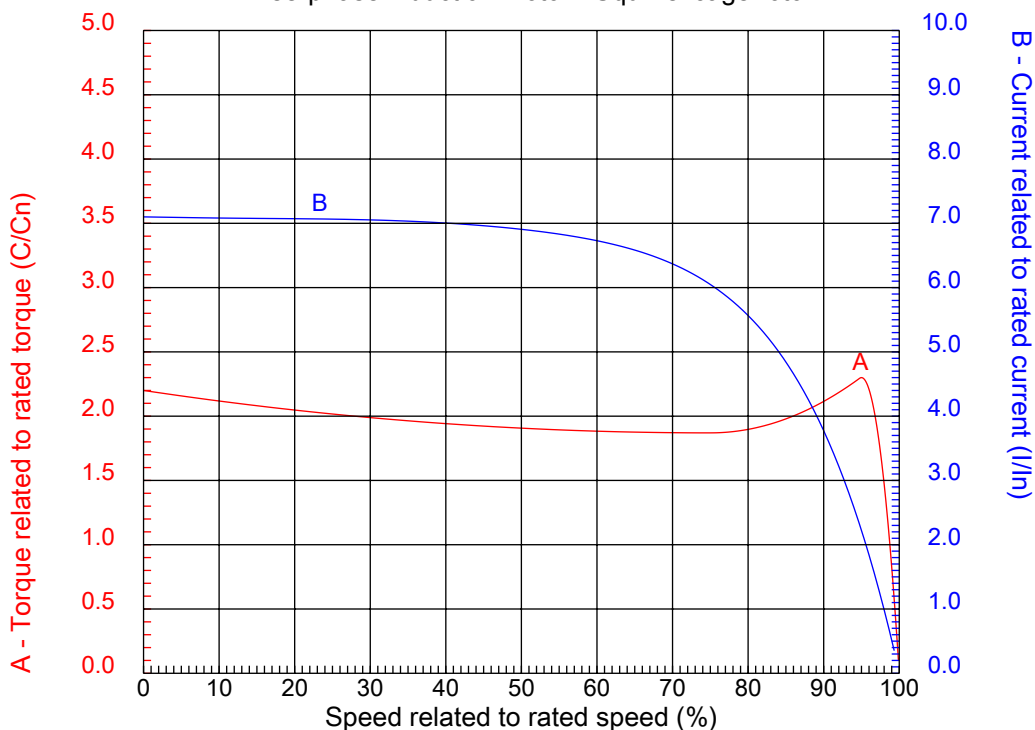


No.:

Date: 20-DEC-2012

CHARACTERISTIC CURVES RELATED TO SPEED

Three-phase induction motor - Squirrel cage rotor



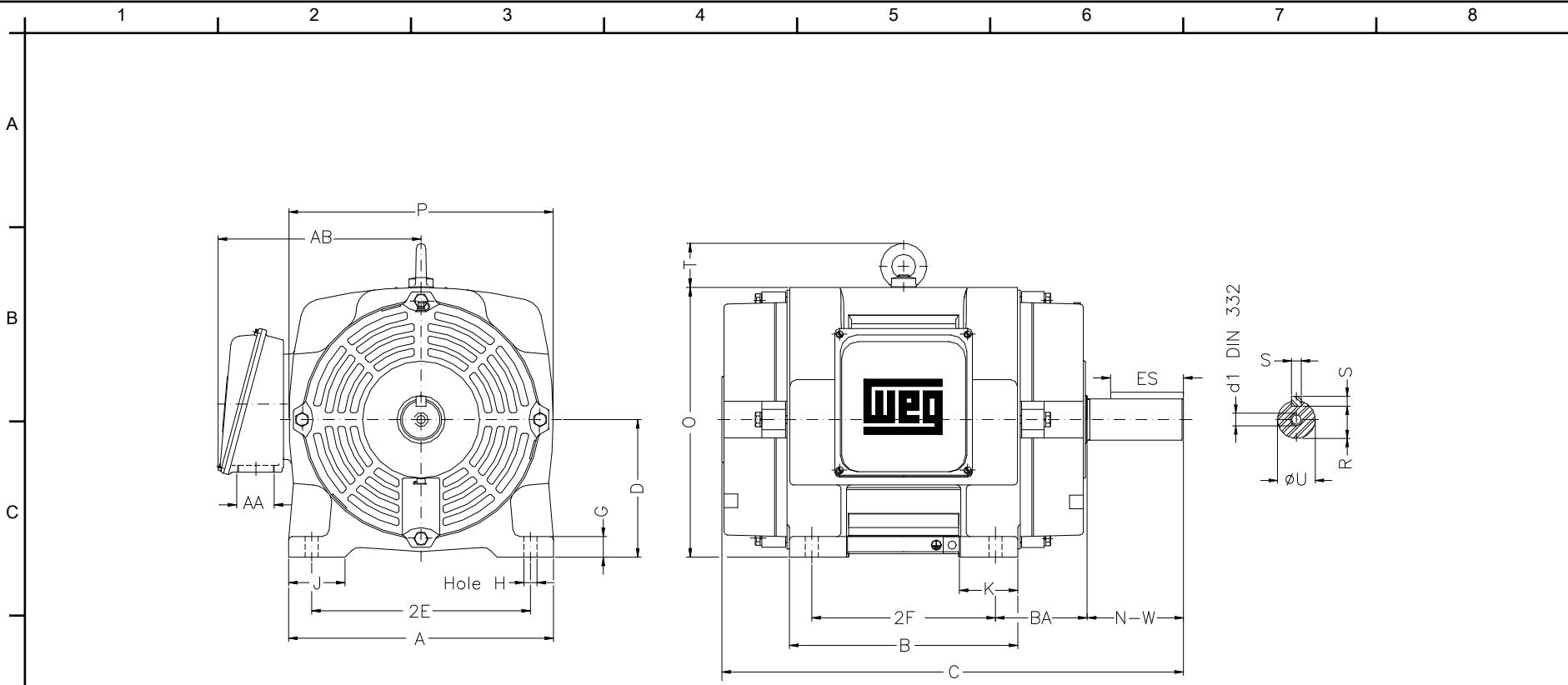
Customer :
Product line : Three-Phase : ODP (IP21/IP23) - NEMA Premium Efficiency

| | | | |
|------------------|----------|--|---------|
| Frame | : 447/9T | Locked rotor current (I _l /I _n) | : 7.1 |
| Output | : 300 HP | Duty cycle | : S1 |
| Frequency | : 60 Hz | Service factor | : 1.15 |
| Full load speed | : 1780 | Design | : B |
| Voltage | : 460 V | Locked rotor torque | : 220 % |
| Rated current | : 324 A | Breakdown torque | : 230 % |
| Insulation class | : F | | |

Notes:

Performed by

Checked



Notes:

| | | | | |
|------------------|--------------|---------------------|--------------------|--------------------|
| 2E 18.000 | A 21.929 | 2F 20.000/25.000 | B 28.898 | BA 7.500 |
| J 3.937 | K 10.47 | P 22.126 | ES 7.087 | depth 0.875 |
| S 0.875 | D 11.000 | N-W 8.500 | G 1.811 | U 3.375 |
| O 22.441 | T 3.543 | HD 25.984 | R 2.880 | H 0.807 |
| AB 23.464 | C 48.317 | AA 2XNPT 3" | d1 DUNC 3/4"-10 | d2 DUNC 3/4"-10 |
| Flange FD-508 | AJ 20.000 | AK 18.000 | BD 21.653 | BF 0.828 |
| BB 0.203 | | | | |

Performed by:

Checked:

Customer:

Three-Phase : ODP (IP21/IP23) - NEMA Premium Efficiency

Three-phase induction motor
Frame 447/9T - IP23

20-DEC-2012

