



No.:

Date: 21-DEC-2012

Customer :

TECHNICAL PROPOSAL

Three-phase induction motor - Squirrel cage rotor

Product line : W22 Super Premium

Catalog Number : 00136EG3E143T-W22

List Price : \$669

Notes:

Performed by:

Checked:



No.:

Date: 21-DEC-2012

DATA SHEET

Three-phase induction motor - Squirrel cage rotor

Customer :
Product line : W22 Super Premium

Frame : 143T
Output : 1 HP
Frequency : 60 Hz
Poles : 2
Full load speed : 3485
Slip : 3.19 %
Voltage : 208-230/460 V
Rated current : 2.99-2.70/1.35 A
Locked rotor current : 19.4/9.72 A
Locked rotor current (I_L/I_n) : 7.2
No-load current : 1.20/0.600 A
Full load torque : 1.49 lb.ft
Locked rotor torque : 250 %
Breakdown torque : 300 %
Design : A
Insulation class : F
Temperature rise : 80 K
Locked rotor time : 36 s (hot)
Service factor : 1.25
Duty cycle : S1
Ambient temperature : -20°C - +40°C
Altitude : 1000
Degree of Protection : IP55
Approximate weight : 40 lb
Moment of inertia : 0.04129 sq.ft.lb
Noise level : 68 dB(A)

	D.E.	N.D.E.	Load	Power factor	Efficiency (%)
Bearings	6205 ZZ	6204 ZZ	100%	0.83	84.0
Regreasing interval	---	---	75%	0.79	82.5
Grease amount	---	---	50%	0.69	81.5

Notes:

Performed by

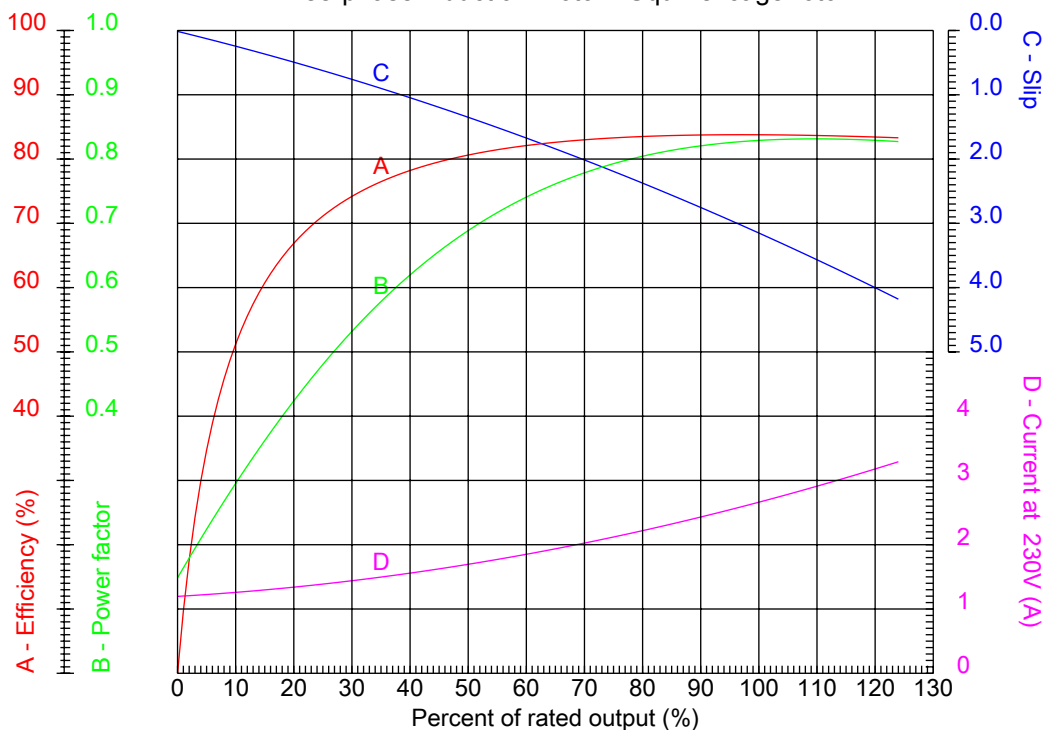
Checked



No.:

Date: 21-DEC-2012

PERFORMANCE CURVES RELATED TO RATED OUTPUT Three-phase induction motor - Squirrel cage rotor



Customer :
Product line : W22 Super Premium

Frame : 143T	Locked rotor current (I _l /I _n) : 7.2
Output : 1 HP	Duty cycle : S1
Frequency : 60 Hz	Service factor : 1.25
Full load speed : 3485	Design : A
Voltage : 208-230/460 V	Locked rotor torque : 250 %
Rated current : 2.99-2.70/1.35 A	Breakdown torque : 300 %
Insulation class : F	

Notes:

Performed by

Checked

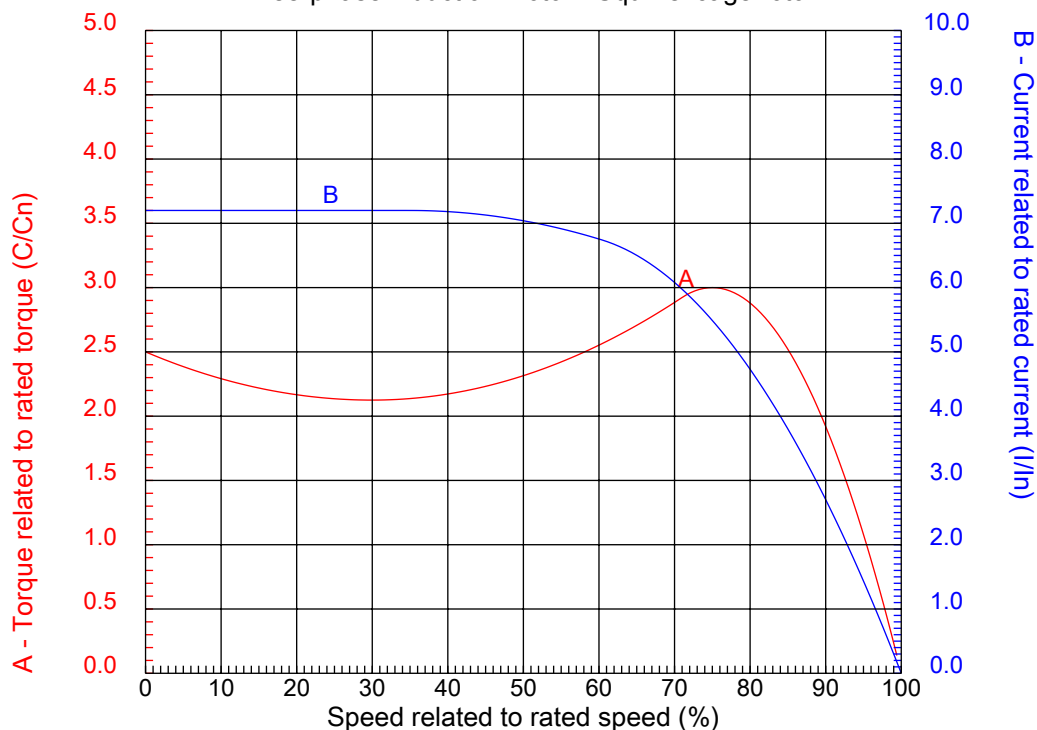


No.:

Date: 21-DEC-2012

CHARACTERISTIC CURVES RELATED TO SPEED

Three-phase induction motor - Squirrel cage rotor



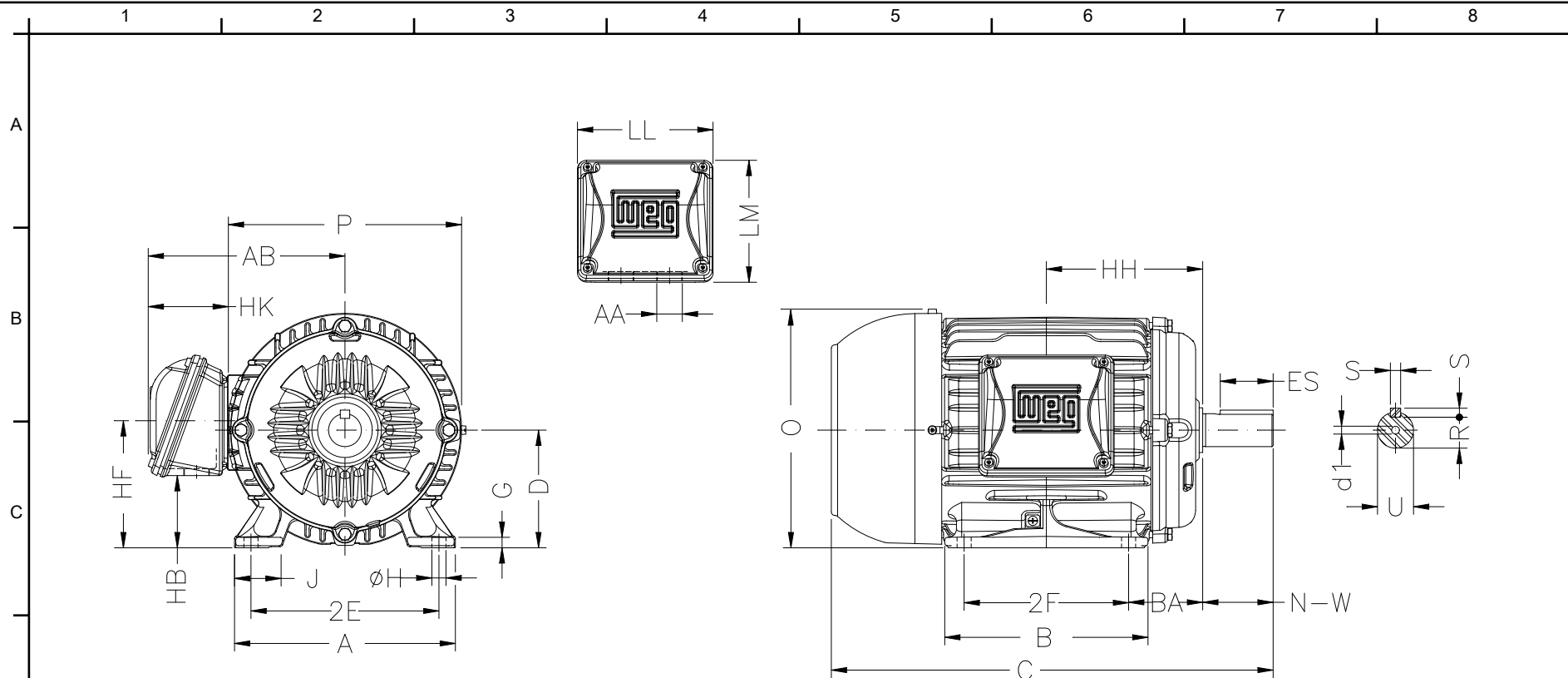
Customer :
Product line : W22 Super Premium

Frame	: 143T	Locked rotor current (I _l /I _n)	: 7.2
Output	: 1 HP	Duty cycle	: S1
Frequency	: 60 Hz	Service factor	: 1.25
Full load speed	: 3485	Design	: A
Voltage	: 208-230/460 V	Locked rotor torque	: 250 %
Rated current	: 2.99-2.70/1.35 A	Breakdown torque	: 300 %
Insulation class	: F		

Notes:

Performed by

Checked



Notes:

2E 5.500	J 1.437	A 6.457	P 7.047	AB 6.181
2F 4.000	B 5.157	BA 2.250	FBA 4.082	U 0.875
N-W 2.250	ES 1.575	S 0.187	R 0.765	depth 0.187
D 3.500	G 0.354	HB 1.728	O 7.122	HF 3.500
HH 4.250	HK 2.638	H 0.344	C 12.346	LL 4.527
LM 4.094	AA NPT 3/4"	d1 A 4	d2 A 4	Flange FD-254
AJ 10.000	AK 9.000	BD 11.00	BF 0.562	BB 0.203

Performed by:

Checked:

Customer:

W22 Super Premium

Three-phase induction motor
Frame 143T - IP55

21-DEC-2012

