



No.:

Date: 21-DEC-2012

Customer :

TECHNICAL PROPOSAL

Three-phase induction motor - Squirrel cage rotor

Product line : W22 Super Premium

Catalog Number : 00156EG3E143T-W22

List Price : \$597

Notes:

Performed by:

Checked:



No.:

Date: 21-DEC-2012

## DATA SHEET

### Three-phase induction motor - Squirrel cage rotor

Customer :  
Product line : W22 Super Premium

Frame : 143T  
Output : 1.5 HP  
Frequency : 60 Hz  
Poles : 2  
Full load speed : 3485  
Slip : 3.19 %  
Voltage : 208-230/460 V  
Rated current : 4.25-3.84/1.92 A  
Locked rotor current : 32.3/16.1 A  
Locked rotor current (I<sub>L</sub>/I<sub>n</sub>) : 8.4  
No-load current : 1.80/0.900 A  
Full load torque : 2.23 lb.ft  
Locked rotor torque : 300 %  
Breakdown torque : 350 %  
Design : A  
Insulation class : F  
Temperature rise : 80 K  
Locked rotor time : 29 s (hot)  
Service factor : 1.25  
Duty cycle : S1  
Ambient temperature : -20°C - +40°C  
Altitude : 1000  
Degree of Protection : IP55  
Approximate weight : 42 lb  
Moment of inertia : 0.04675 sq.ft.lb  
Noise level : 68 dB(A)

	D.E.	N.D.E.	Load	Power factor	Efficiency (%)
Bearings	6205 ZZ	6204 ZZ	100%	0.83	86.5
Regreasing interval	---	---	75%	0.78	85.5
Grease amount	---	---	50%	0.67	84.0

Notes:

Performed by

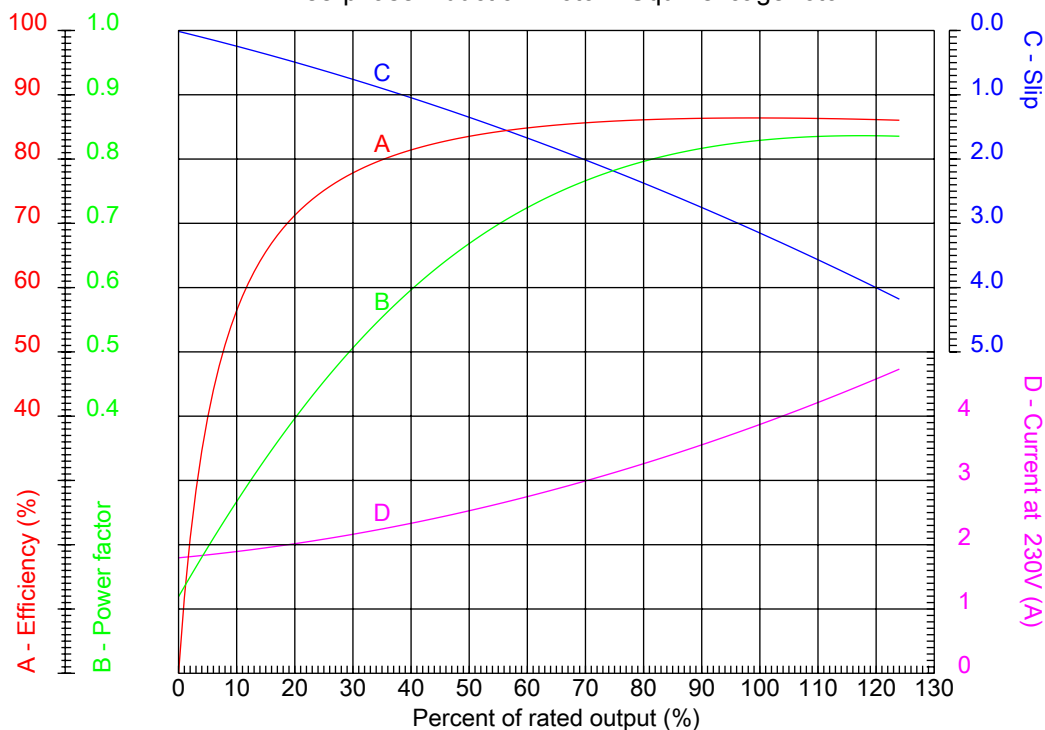
Checked



No.:

Date: 21-DEC-2012

### PERFORMANCE CURVES RELATED TO RATED OUTPUT Three-phase induction motor - Squirrel cage rotor



Customer :  
Product line : W22 Super Premium

Frame	: 143T	Locked rotor current (I <sub>l</sub> /I <sub>n</sub> )	: 8.4
Output	: 1.5 HP	Duty cycle	: S1
Frequency	: 60 Hz	Service factor	: 1.25
Full load speed	: 3485	Design	: A
Voltage	: 208-230/460 V	Locked rotor torque	: 300 %
Rated current	: 4.25-3.84/1.92 A	Breakdown torque	: 350 %
Insulation class	: F		

Notes:

Performed by

Checked

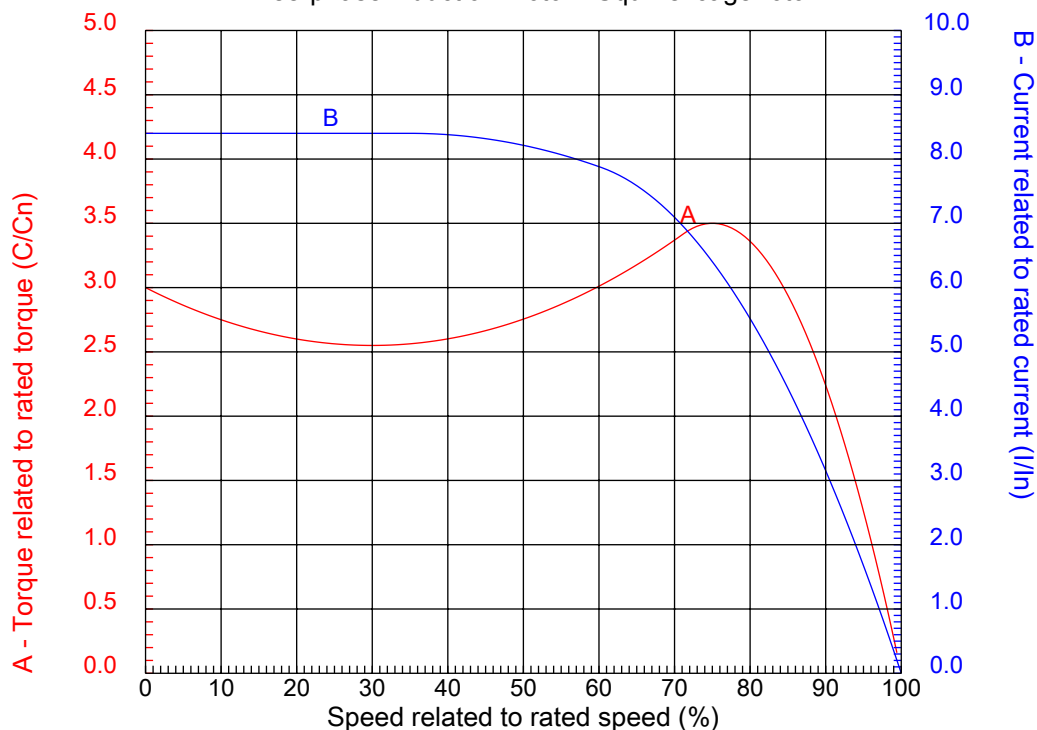


No.:

Date: 21-DEC-2012

### CHARACTERISTIC CURVES RELATED TO SPEED

Three-phase induction motor - Squirrel cage rotor



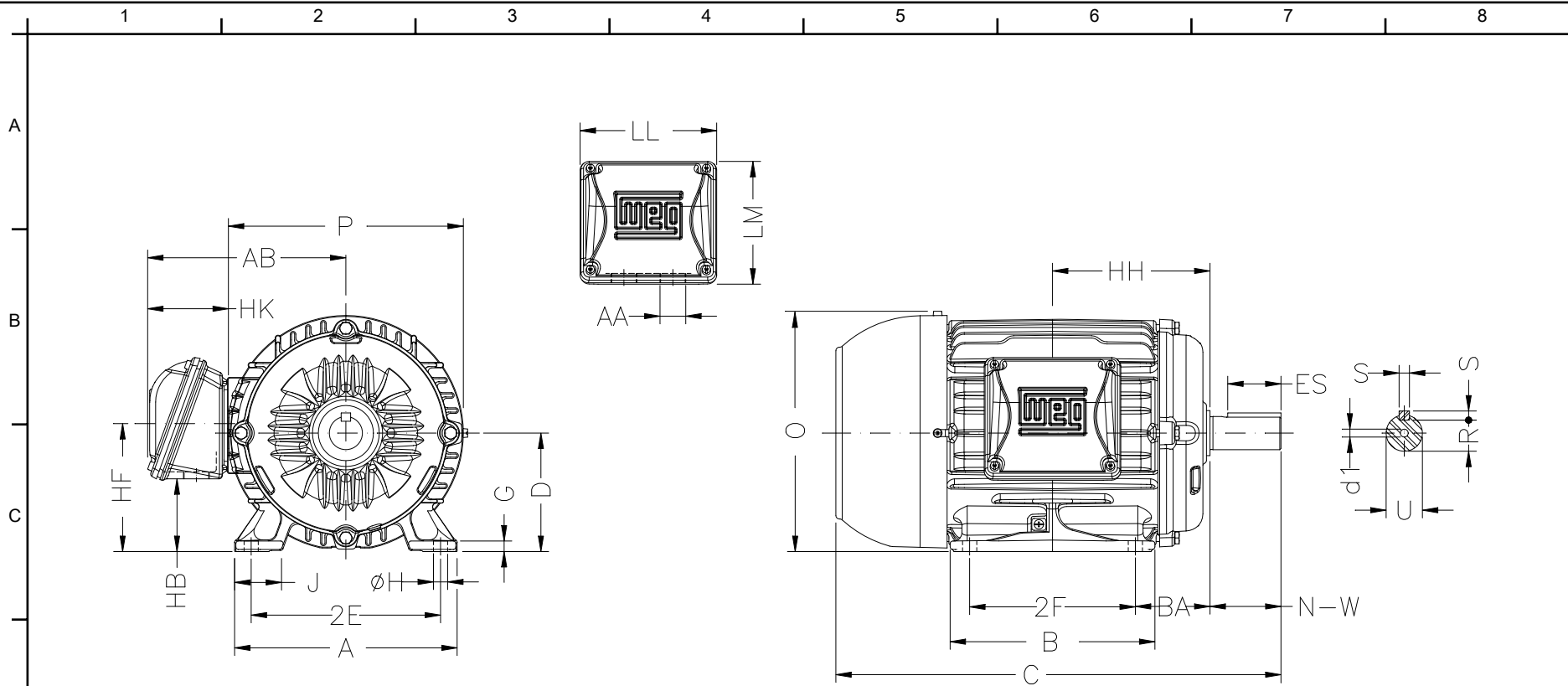
Customer :  
Product line : W22 Super Premium

Frame	: 143T	Locked rotor current (I <sub>l</sub> /I <sub>n</sub> )	: 8.4
Output	: 1.5 HP	Duty cycle	: S1
Frequency	: 60 Hz	Service factor	: 1.25
Full load speed	: 3485	Design	: A
Voltage	: 208-230/460 V	Locked rotor torque	: 300 %
Rated current	: 4.25-3.84/1.92 A	Breakdown torque	: 350 %
Insulation class	: F		

Notes:

Performed by

Checked



Notes:

2E 5.500	J 1.437	A 6.457	P 7.047	AB 6.181
2F 4.000	B 5.157	BA 2.250	FBA 4.082	U 0.875
N-W 2.250	ES 1.575	S 0.187	R 0.765	depth 0.187
D 3.500	G 0.354	HB 1.728	O 7.122	HF 3.500
HH 4.250	HK 2.638	H 0.344	C 12.346	LL 4.527
LM 4.094	AA NPT 3/4"	d1 A 4	d2 A 4	Flange FD-254
AJ 10.000	AK 9.000	BD 11.00	BF 0.562	BB 0.203

Performed by:

Checked:

Customer:

W22 Super Premium

Three-phase induction motor  
Frame 143T - IP55

21-DEC-2012

