



No.:

Date: 21-DEC-2012

Customer :

TECHNICAL PROPOSAL

Three-phase induction motor - Squirrel cage rotor

Product line : W22 Super Premium

Catalog Number : 06012EG3E404T-W22

List Price : \$11,547

Notes:

Performed by:

Checked:



No.:

Date: 21-DEC-2012

DATA SHEET

Three-phase induction motor - Squirrel cage rotor

Customer :
Product line : W22 Super Premium

Frame : 404/5T
Output : 60 HP
Frequency : 60 Hz
Poles : 6
Full load speed : 1185
Slip : 1.25 %
Voltage : 208-230/460 V
Rated current : 160-144/72.2 A
Locked rotor current : 1140/570 A
Locked rotor current (I_L/I_n) : 7.9
No-load current : 68.0/34.0 A
Full load torque : 262 lb.ft
Locked rotor torque : 280 %
Breakdown torque : 320 %
Design : A
Insulation class : F
Temperature rise : 80 K
Locked rotor time : 22 s (hot)
Service factor : 1.25
Duty cycle : S1
Ambient temperature : -20°C - +40°C
Altitude : 1000
Degree of Protection : IP55
Approximate weight : 1111 lb
Moment of inertia : 39.073 sq.ft.lb
Noise level : 68 dB(A)

	D.E.	N.D.E.	Load	Power factor	Efficiency (%)
Bearings	6316 C3	6314 C3	100%	0.82	95.4
Regreasing interval	16000 h	17000 h	75%	0.77	95.0
Grease amount	34 g	27 g	50%	0.65	94.1

Notes:

Performed by

Checked

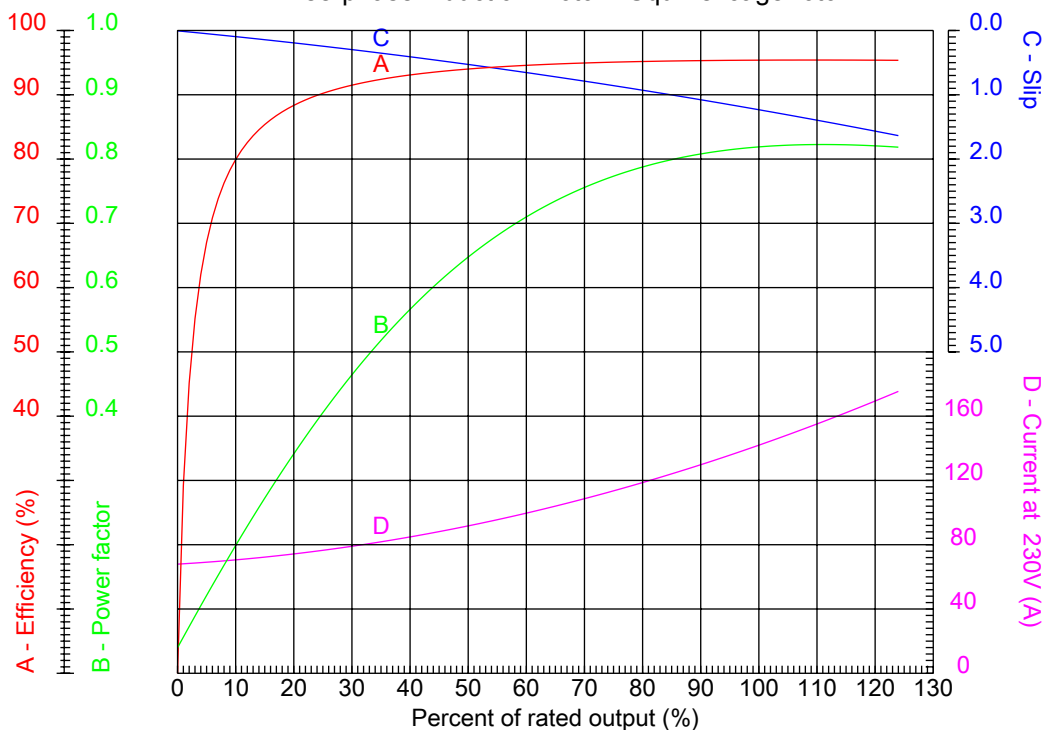


No.:

Date: 21-DEC-2012

PERFORMANCE CURVES RELATED TO RATED OUTPUT

Three-phase induction motor - Squirrel cage rotor



Customer :
Product line : W22 Super Premium

Frame : 404/5T	Locked rotor current (I _l /I _n) : 7.9
Output : 60 HP	Duty cycle : S1
Frequency : 60 Hz	Service factor : 1.25
Full load speed : 1185	Design : A
Voltage : 208-230/460 V	Locked rotor torque : 280 %
Rated current : 160-144/72.2 A	Breakdown torque : 320 %
Insulation class : F	

Notes:

Performed by

Checked

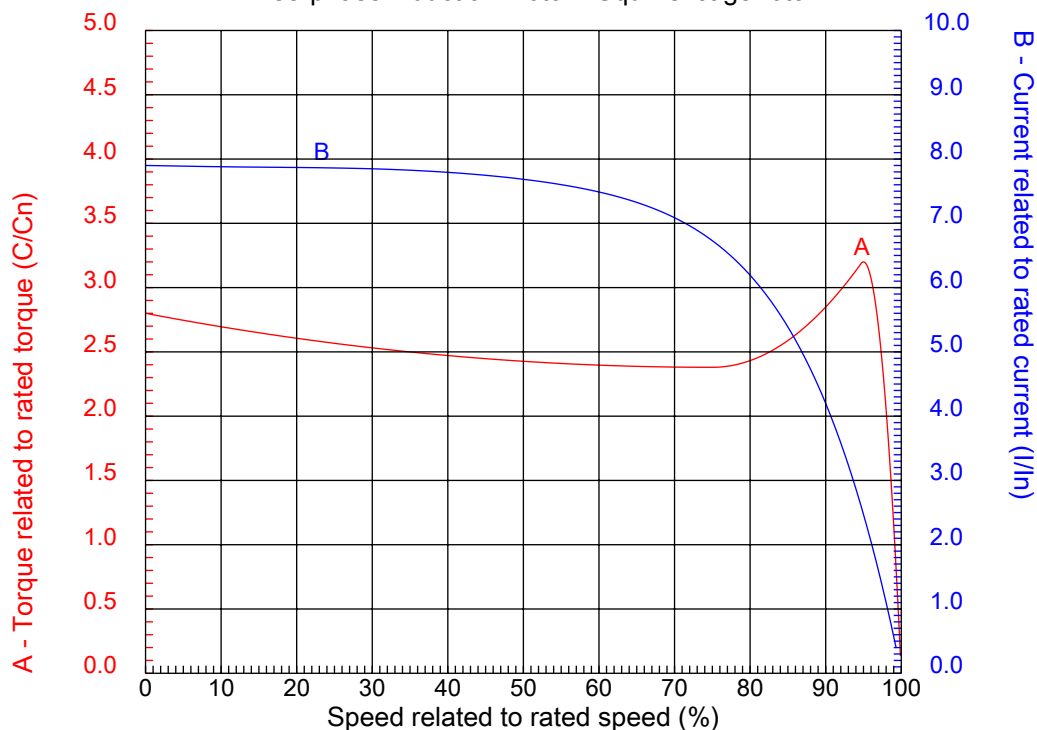


No.:

Date: 21-DEC-2012

CHARACTERISTIC CURVES RELATED TO SPEED

Three-phase induction motor - Squirrel cage rotor



Customer :
Product line : W22 Super Premium

Frame	: 404/5T	Locked rotor current (I _l /I _n)	: 7.9
Output	: 60 HP	Duty cycle	: S1
Frequency	: 60 Hz	Service factor	: 1.25
Full load speed	: 1185	Design	: A
Voltage	: 208-230/460 V	Locked rotor torque	: 280 %
Rated current	: 160-144/72.2 A	Breakdown torque	: 320 %
Insulation class	: F		

Notes:

Performed by

Checked

1 2 3 4 5 6 7 8

A

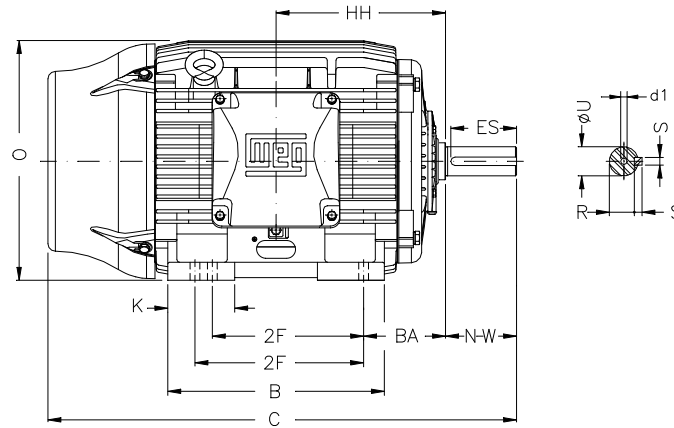
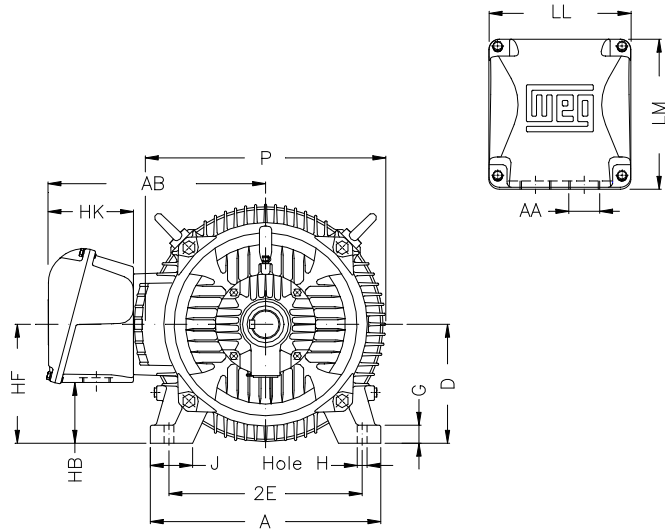
B

C

D

E

F



Notes:

Performed by:

Checked:

Customer:

W22 Super Premium

Three-phase induction motor
Frame 404/5T - IP55

21-DEC-2012



2E 15.984	J 3.937	A 19.921	P 19.134	AB 16.023
2F 12.244/13.740	K 5.669	B 18.386	BA 6.625	U 2.875
N-W 7.250	ES 5.512	S 0.750	R 2.449	depth 0.750
D 10.000	G 1.811	HB 3.977	O 19.566	T 3.544
HD 23.110	HH 14.213	HK 6.023	H 0.810	C 39.730
LL 10.590	LM 11.181	AA NPT 3"	d1 DUNC 3/4"-10	d2 DUNC 3/4"-10
Flange FD-508	AJ 20.000	AK 18.000	BD 22.00	BF 0.828
BB 0.203				