

Economizer Hexagon Picnic Table

Item #ASM-EHT-01
by Polly Products



This Economizer Hexagon Picnic Table by Polly Products is designed with lighter weight boards for a more economical table. With easy access seating there is no need to step over a bench seat. Detailed Polly Planks create a look that closely resembles wooden tables but without the added maintenance demands of wood. Made with 100% recycled plastic for a sustainable and eco-friendly product, this beautiful picnic table will last a lifetime!

- Maintenance free! No need to stain or paint
- Heavy duty and can be surface mounted with brackets
- Resists fading or peeling as the color is molded all the way through
- Weather resistant
- No need to stain or paint
- stainless steel fasteners are long-lasting and do not rust
- slatted design keeps rainwater from collecting on surfaces

See back of page for exact measurements and Available Color Options

www.pollyproducts.com



Proudly made
in the USA



Eco-Friendly Products



100% Recycled
Product



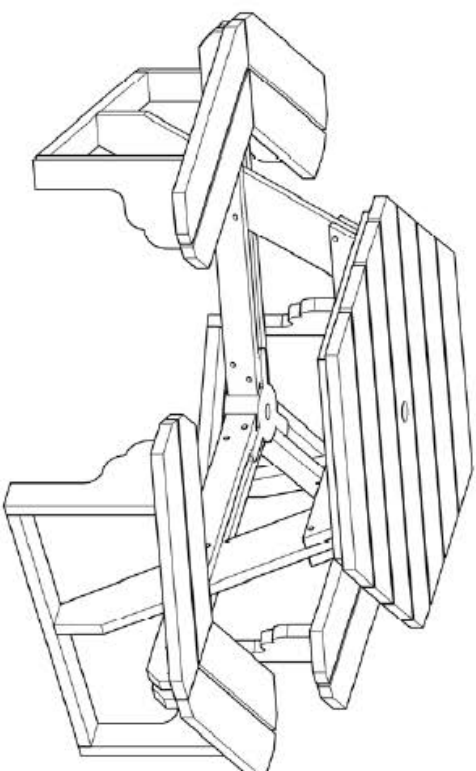
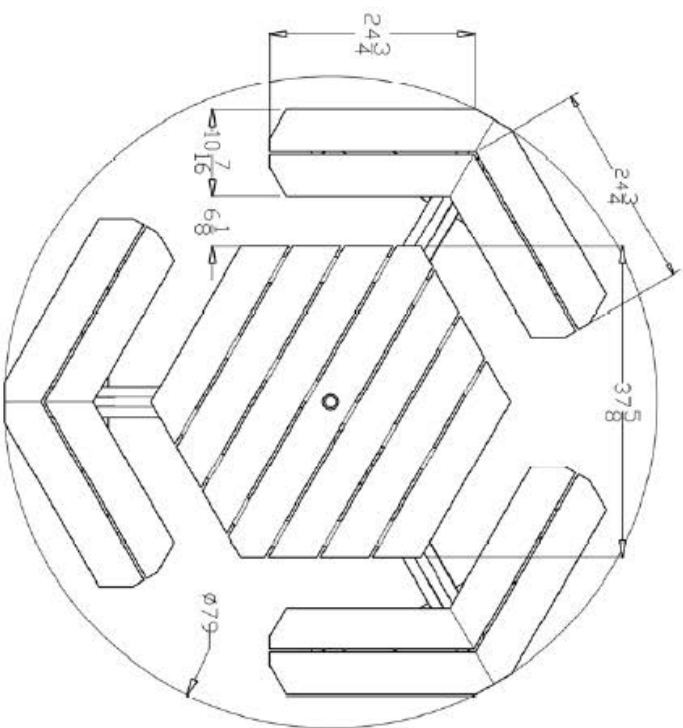
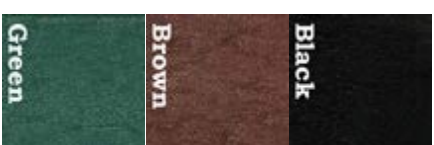
15-yr Warranty

Polly Products
12 N. Charlotte St
Mulliken, MI 48861

1-877-609-2243

ASM-EHT-01

Frame Color Options



Seat/Table Color Options

