

Park Classic 6ft Flat Bench

Item #ASM-PC6F-01

by Polly Products



This 6 ft Park Classic Flat Bench by Polly Products is a sturdy yet comfortable bench. The elegant, sleek design with the rounded edges on all our boards is attractive and comfortable. The seating is wide for additional style.

Since plastic takes hundreds of years to degrade, using recycled plastic creates a long lasting product and keeps the plastic and the discarded wood benches out of our landfills.

- Maintenance free! No need to stain or paint
- Heavy duty and can be surface mounted with brackets
- Resists fading or peeling as the color is molded all the way through
- Weather resistant
- No need to stain or paint
- stainless steel fasteners are long-lasting and do not rust
- slatted design keeps rainwater from collecting on surfaces

See back of page for exact measurements and Available Color Options

www.pollyproducts.com



Proudly made
in the USA



Eco-Friendly Products



100% Recycled
Product

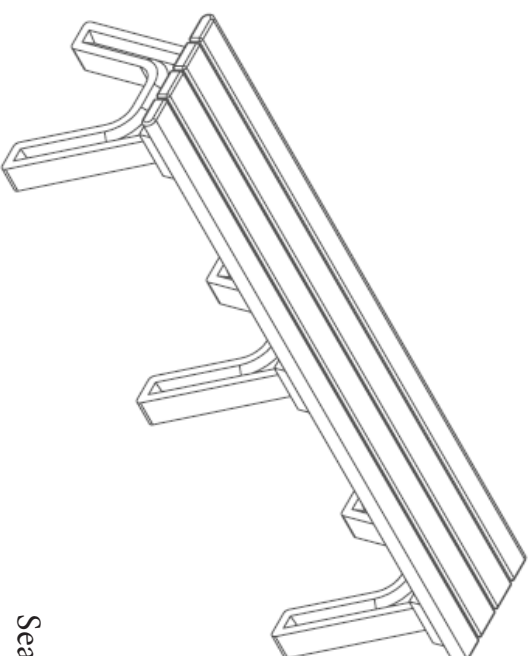
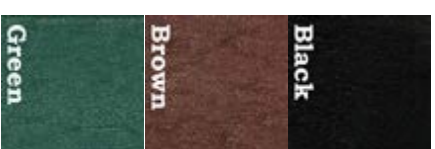


15-yr Warranty

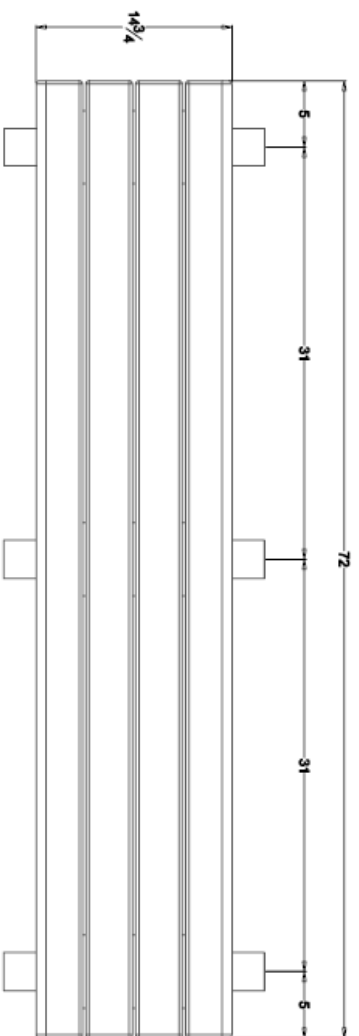
Polly Products
12 N. Charlotte St
Mulliken, MI 48861

1-877-609-2243

Frame Color Options



ASM-PC6F-01



Seat Color Options

