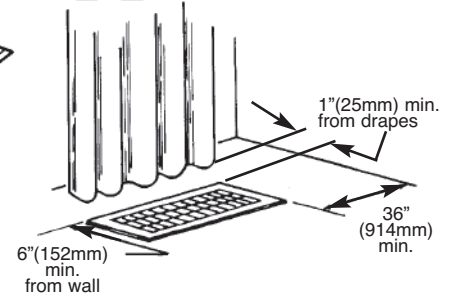
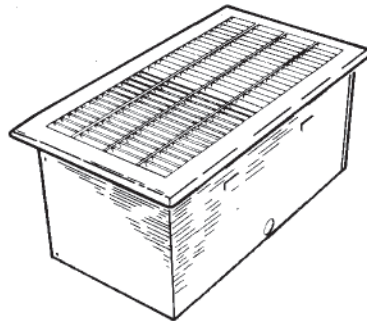




Marley
Engineered Products

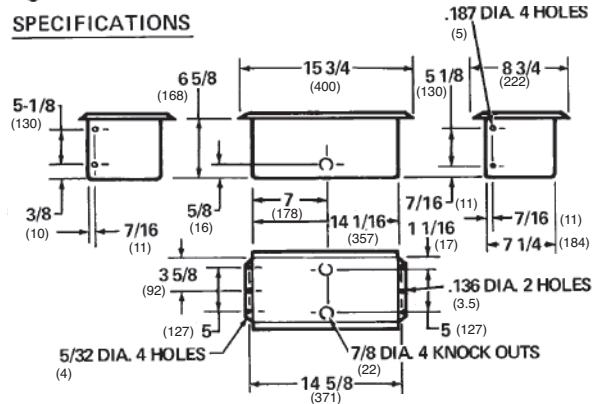


FILE #E21609



Cat. No. I1500 & I1504
Floor Drop-In Space Heater

SPECIFICATIONS



Installation & Maintenance Instructions

Dear Owner,

Congratulations! Thank you for purchasing this new heater manufactured by a division of Marley Engineered Products. You have made a wise investment selecting the highest quality product in the heating industry. Please carefully read the installation and maintenance instructions shown in this manual. You should enjoy years of efficient heating comfort with this product from Marley Engineered Products... the industry's leader in design, manufacturing, quality and service.

*... The Employees of
Marley Engineered Products*



WARNING



Read Carefully - These instructions are written to help you prevent difficulties that might arise during installation of heaters. Studying the instructions first may save you considerable time and money later. Observe the following procedures, and cut your installation time to a minimum.

To reduce risk of fire or electric shock:

1. Disconnect ALL power coming to heater at main service panel before wiring or servicing. Make sure power is off when installing heater assembly into backbox.
2. All wiring must be in accordance with National and Local Electrical Codes and the heater back box must be grounded.
3. Verify the power supply voltage coming to the heater matches the rating printed on the heater nameplate before energizing.
4. This heater is NOT suitable for use in hazardous locations as described by the NFPA. This heater has hot and arcing or sparking parts inside. DO NOT use in areas where gasoline, paint or other flammable liquids are used or stored.
5. This heater is hot when in use. Keep electrical cords, drapery, foam filled articles, bedding, and other furnishings away from heater. DO NOT install this heater in a manner where the hot discharge air is blowing directly on any items that may be damaged by heat such as plastics or clear vinyls. The heat from the heater could cause discoloration to these materials if their temperature rating is less than 150°F (65°C).
6. This heater is intended for installation into the floor ONLY. DO

NOT install in wall, ceiling or in any manner where air flow through heater may be obstructed. DO NOT install heater without enclosure. DO NOT install side of heater closer than 6" (152mm) to wall or end of heater closer than 36" (914mm) to wall.

7. DO NOT operate the heater without the grille installed. Grille must be secured with the two screws provided to prevent unintentional removal.
8. This heater is NOT intended for use in wet locations where heater could become soaked with water.
9. DO NOT insert or allow foreign objects to enter any heater openings as this may cause an electric shock, fire, or permanent damage to heater
10. Since this heater is intended for floor installation, it is more likely to become dirty and require routine maintenance. It is recommended that the heater be cleaned and serviced at least annually. Failure to keep heater clean could result in a fire or premature heater failure.
11. This heater is provided with an alarm (buzzer or warning light) that will sound (or illuminate) if the heater is overheating. This is intended to alert the user of the hazard and initiate action by the user to correct the abnormal condition that exists. DO NOT continue to use the heater if the alarm is sounding (or light is on). The repeated cycling of the alarm indicates the heater is in need of cleaning and/or servicing.

SAVE THESE INSTRUCTIONS

GENERAL INSTRUCTIONS

When installing the heater(s) as draft barriers below windows it is recommended that the heater(s) capacity be matched to the heat loss of the glass area. Also, the heat spread of each heater is about 5 feet (1524mm) so for continuous draft control heaters should be mounted 5 feet (1524mm) apart.

When using the heater(s) as the sole source of heat in the room, the capacity of the heater(s) should match the heat loss of the room. For good room temperature control, a Marley wall thermostat mounted on an inside wall is recommended.

To prevent discoloration of some synthetic drapery materials and to avoid undue wall discoloration, the side of the heater should be at least 1 inch (25,4mm) from the drapes nearest fold and the end of the heater should be no closer than 3 feet (914mm) to the wall (See specifications and Warning No. 6).



WARNING



YOUR HEATER IS PROVIDED WITH AN ALARM (BUZZER OR WARNING LIGHT) THAT WILL SOUND OR ILLUMINATE IF THE HEATER IS OVERHEATING FOR ANY REASON. IF THIS OCCURS, TURN DOWN THE THERMOSTAT UNTIL THE ALARM STOPS AND ALLOW THE HEATER TO COOL FOR AT LEAST 30 MINUTES. CHECK TO MAKE SURE THE AIR FLOW THROUGH THE HEATER IS NOT BLOCKED (SEE WARNING 5 AND 6 ON PAGE 1) AND THEN TURN THE THERMOSTAT BACK TO THE DESIRED TEMPERATURE. IF THE ALARM CONTINUES TO CYCLE, DISCONTINUE USING HEATER, TURN OFF THE POWER TO THE HEATER AT THE CIRCUIT BREAKER PANEL AND HAVE THE HEATER CHECKED BY A QUALIFIED SERVICE PERSON.

ENCLOSURE INSTALLATION IN WOOD FLOORS

1. Provide a hole 7-3/8" by 14-1/4" (187mm by 362mm) in floor at least 6" (152mm) from the wall with the longest side parallel to the wall as shown in Figure 1.
2. Insert the enclosure into the opening and secure with four nails.

NOTE: Enclosure may be installed with flanges flat against the floor and the floor covering between the grille and enclosure flange, provided the floor covering is no thicker than 3/4" (19,1mm) and is trimmed to prevent any portion of it from extending past the flange and into the enclosure.

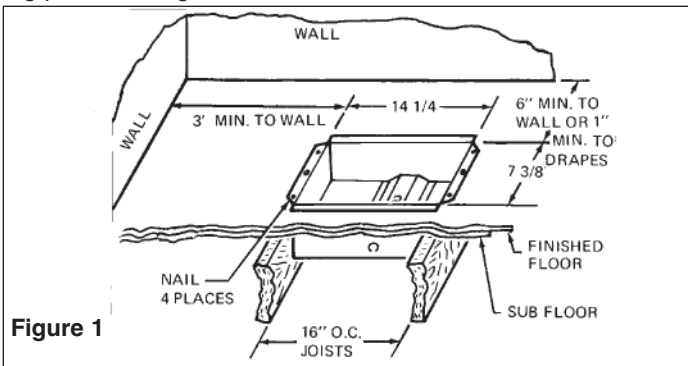


Figure 1

WIRING NOTICE

This heater is NOT provided with built-in power disconnect switch. To comply with the 1993 National Electrical Code (Section 424-19 and 424-20) the following options are available:

1. The room thermostat used to control this heater must be either a double pole, positive off design that will de-energize all ungrounded conductors when in the "Off" position, or
2. The main disconnect service panel must be located within sight of the heater, or
3. The disconnecting means must be able to be locked in the open position.

WIRING THE ENCLOSURE

(See Warning No. 2)

1. Bring supply wire into desired knockout, leaving 6" (152mm) of leads extending into the enclosure as shown in Figure 2.

NOTE: Wiring compartment volume - 15in³ (244cm³)

2. Secure the ground lead to the ground screw on the bottom of the enclosure.
3. For Model I1500, connect the white (neutral) supply lead to the white receptacle lead and the black line supply lead to the black receptacle lead as shown in Figure 2. (See also wiring diagram shown in Figure 4). For I1504 connect the two black supply leads to the two black receptacle leads. (See wiring diagram shown in Figure 4.)
4. Install junction box cover as shown in Figure 2.

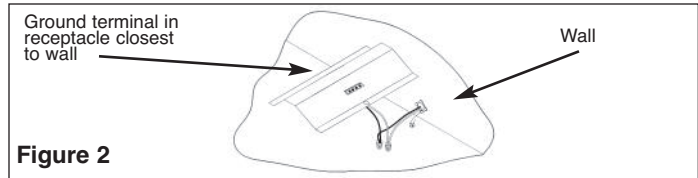


Figure 2

TO REDUCE WATTAGE

The heater wattage may be reduced from 1500W to 750W by removal of two (2) red jumpers.

HEATER ASSEMBLY INSTALLATION

NOTE: For units with built-in thermostat, the temperature sensing bulb must be located on the side of the heater closest to the wall for most efficient operation.



CAUTION



TO PREVENT A POSSIBLE ELECTRIC SHOCK, BE SURE POWER TO HEATER IS OFF AT MAIN DISCONNECT PANEL BEFORE INSERTING HEATER INTO ENCLOSURE.

Slide heater assembly into the enclosure part way so the plug can be inserted into receptacle in junction box cover. After plug is fully inserted into receptacle, push heater down in position and secure with two (2) screws provided. (See Figure 3)

GRILLE INSTALLATION

1. If a floor covering is installed after the enclosure is installed, make certain it does not extend past the edges of the enclosure. (See "Enclosure Installation In Wood Floors" Note).
2. Place the grille over the enclosure and secure with the two painted screws provided as shown in Figure 3. (See Warning No. 7).

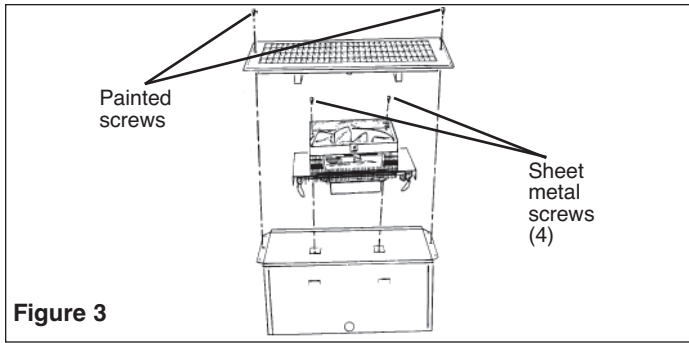


Figure 3

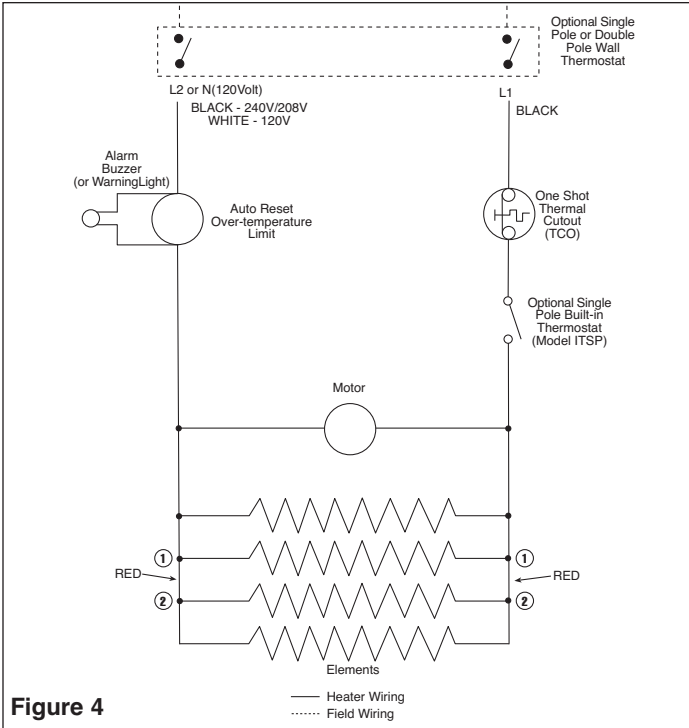


Figure 4

IMPORTANT INFORMATION

MAINTENANCE

TO CLEAN HEATER: The heater should be cleaned annually for maximum efficiency. Before cleaning be sure power is off and heater is cool. Remove grille and clean fan using a vacuum cleaner with a brush attachment. The grille may be cleaned with a slightly damp rag if desired.

OPERATIONAL NOTICE



Your heater is equipped with an automatic reset limit control that will automatically turn the heater OFF to prevent a fire if the heater overheats. If the heater overheats, an alarm buzzer (or light on some models) will sound (or light will illuminate on some models) until the heater cools and the limit resets.

CAUTION

THE ACTIVATION OF THE ALARM BUZZER (OR LIGHT) SIGNIFIES THE HEATER HAS BEEN SUBJECTED TO SOME ABNORMAL CONDITION CAUSING IT TO OVERHEAT. CHECK HEATER TO INSURE THAT IT HAS NOT BEEN BLOCKED IN ANY MANNER (IF SO, REMOVE BLOCKAGE). IF THERE IS NO INDICATION OF BLOCKAGE IT IS RECOMMENDED THE HEATER BE CHECKED BY A REPUTABLE ELECTRICIAN OR REPAIR SERVICE TO INSURE THE HEATER HAS NOT BEEN DAMAGED.

In addition to the Automatic control your heater is provided with a back up one shot thermal cut-out (TCO). This safety control will open only if the automatic control fails to maintain safe temperatures. If this control operates, your heater must be serviced by a qualified electrician

NAMEPLATE

MODEL NO. I1500	DATE CODE 0997	
FAN FORCED FLOOR INSERT HEATER		
120 VOLTS AC	1500/750 WATTS	12.5/6.3/ AMPS
USE ONLY WITH I SERIES ENCLOSURE. DO NOT OPERATE WITHOUT GRILLE IN PLACE.		 
MARLEY ENGINEERED PRODUCTS BENNETTSVILLE, SC 29512		774G LISTED ROOM HEATER 4104-2206-000

LIMITED WARRANTY

All products manufactured by Marley Engineered Products are warranted against defects in workmanship and materials for one year from date of installation, except heating elements which are warranted against defects in workmanship and materials for five years from date of installation. This warranty does not apply to damage from accident, misuse, or alteration; nor where the connected voltage is more than 5% above the nameplate voltage; nor to equipment improperly installed or wired or maintained in violation of the product's installation instructions. All claims for warranty work must be accompanied by proof of the date of installation.

The customer shall be responsible for all costs incurred in the removal or reinstallation of products, including labor costs, and shipping costs incurred to return products to Marley Engineered Products Service Center. Within the limitations of this warranty, inoperative units should be returned to the nearest Marley authorized service center or the Marley Engineered Products Service Center, and we will repair or replace, at our option, at no charge to you with return freight paid by Marley. It is agreed that such repair or replacement is the exclusive remedy available from Marley Engineered Products.

THE ABOVE WARRANTIES ARE IN LIEU OF ALL OTHER WARRANTIES EXPRESSED OR IMPLIED. AND ALL IMPLIED WARRANTIES OF MERCHANTABILITY AND FITNESS FOR A PARTICULAR PURPOSE WHICH EXCEED THE AFORESAID EXPRESSED WARRANTIES ARE HEREBY DISCLAIMED AND EXCLUDED FROM THIS AGREEMENT. MARLEY ENGINEERED PRODUCTS SHALL NOT BE LIABLE FOR CONSEQUENTIAL DAMAGES ARISING WITH RESPECT TO THE PRODUCT, WHETHER BASED UPON NEGLIGENCE, TORT, STRICT LIABILITY, OR CONTRACT.

Some states do not allow the exclusion or limitation of incidental or consequential damages, so the above exclusion or limitation may not apply to you. This warranty gives you specific legal rights, and you may also have other rights which vary from state to state.

For the address of your nearest authorized service center, contact Marley Engineered Products in Bennettsville, SC, at 1-800-642-4328. Merchandise returned to the factory must be accompanied by a return authorization and service identification tag, both available from Marley Engineered Products. When requesting return authorization, include all catalog numbers shown on the products.

HOW TO OBTAIN WARRANTY SERVICE AND WARRANTY PARTS PLUS GENERAL INFORMATION

- | | |
|--------------------------------|---|
| 1. Warranty Service or Parts | 1-800-642-4328 |
| 2. Purchase Replacement Parts | 1-800-654-3545 |
| 3. General Product Information | www.marleymep.com |

Note: When obtaining service always have the following:

1. Model number of the product
2. Date of manufacture
3. Part number or description



Marley
Engineered Products

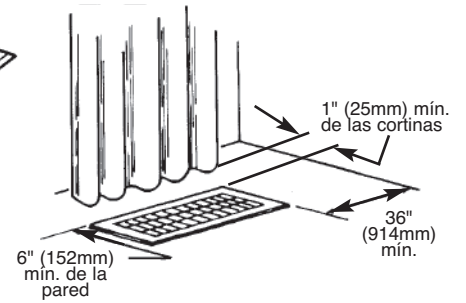
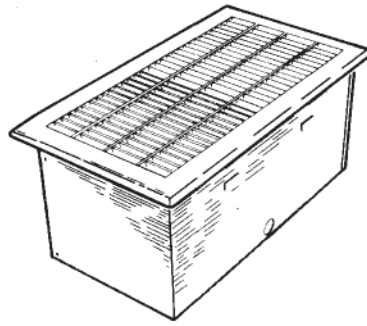
470 Beauty Spot Rd. East
Bennettsville, SC 29512 USA

ECR 38831
07/10

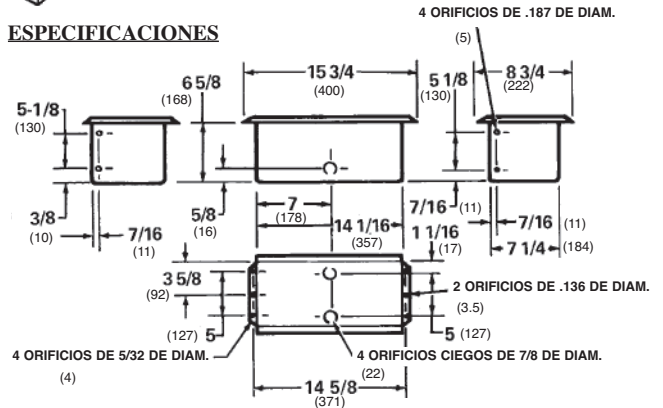
Part No. 5200-2364-001



REGISTRO NO. E21609



ESPECIFICACIONES



**Calentador de Ambiente
Embutido en el Piso
Cat. No. I1500 y I1504**

Instrucciones de Instalación y Mantenimiento

Estimado propietario:

¡Felicitaciones! Gracias por comprar este nuevo calentador fabricado por una división de Marley Engineered Products. Usted ha efectuado una sabia inversión al seleccionar el producto de la más alta calidad en la industria de calefacción. Por favor lea cuidadosamente las instrucciones de instalación y mantenimiento indicadas en este manual. Usted debería gozar de años de calefacción eficiente con este producto de Marley Engineered Products...el líder de la industria en diseño, fabricación, calidad y servicio.

... Los empleados de
Marley Engineered Products



ADVERTENCIA



Lea cuidadosamente - Estas instrucciones están escritas para ayudarlo a prevenir dificultades que podrían surgir durante la instalación de los calentadores. El estudiar primero las instrucciones puede ahorrarle un tiempo considerable y dinero después. Observe los procedimientos siguientes, y reduzca a un mínimo su tiempo de instalación.

Para reducir el riesgo de incendio o choque eléctrico:

1. Antes de cablear o prestar servicio y para prevenir el choque eléctrico, desconecte TODA la potencia entrante al calentador por el panel maestro de servicio.
2. Todo el cableado debe conformar con los códigos eléctricos nacionales y locales y el calentador debe estar conectado a tierra.
3. Antes de activar, verifique que el voltaje del suministro de potencia entrante al calentador corresponda a las clasificaciones principales impresas en la placa de nombre.
4. Este calentador NO es adecuado para uso en ubicaciones riesgosas según descritas por NFPA. Este calentador tiene adentro piezas calientes y productoras de arcos eléctricos o de chispas. NO use en áreas donde estén almacenados gasolina, pintura o líquidos inflamables.
5. Este calentador está caliente cuando se usa. Mantenga los cordones eléctricos, cortinas, artículos rellenos de espuma, ropa de cama y otros mobiliarios alejados del calentador. NO instale este calentador de una manera donde el aire caliente de descarga sopla directamente sobre artículos que puedan dañarse por el calor tales como plásticos o vinilos transparentes. El calor del calentador puede causar decoloración a esos materiales si la clasificación nominal de temperatura es menor de 150°F (65°C).

6. Este calentador está diseñado para instalar dentro del piso SOLAMENTE. NO instale en una pared, cieloraso o de alguna manera donde pueda obstruirse el flujo de aire a través del calentador. NO instale el calentador sin el armazón. NO instale el lado del calentador más cerca de 6"(152mm) de la pared o extremo del calentador más cerca de 36"(914mm) de la pared.
7. NO opere el calentador sin la rejilla instalada. La rejilla debe asegurarse con los dos tornillos provistos para evitar una extracción accidental.
8. Este calentador NO está diseñado para usar en ubicaciones mojadas donde el calentador puede empaparse con agua.
9. NO inserte ni permita que objetos extraños entren a ninguna abertura del calentador que esto puede causar un choque eléctrico, incendio o daños permanentes al calentador.
10. Dado que este calentador está diseñado para instalar en el piso, es más posible que se ensucie y requiera mantenimiento de rutina. Se recomienda que el calentador se limpie y se le preste servicio anualmente, por lo menos. El no mantener limpio el calentador puede resultar en un incendio o falla prematura del calentador.
11. Este calentador se provee con una alarma (zumbador o luz de advertencia) que sonará (o eliminará) si el calentador está calentando excesivamente. Esto tiene el propósito de alertar al usuario acerca del riesgo e iniciar acción por el usuario para corregir la condición anormal que existe. NO continúe usando el calentador si suena la alarma (o está encendida la luz). El ciclo repetido de la alarma indica que el calentador requiere limpieza y/o servicio.

CONSERVE ESTAS INSTRUCCIONES.

INSTRUCCIONES GENERALES

Al instalar el calentador(s) como una barrera a la corriente de aire debajo de las ventanas, se recomienda que la capacidad del calentador(es) corresponda con la pérdida térmica del área de vidrio. También y ya que la diseminación de calor de cada calentador es de 5 pies (1524) aproximadamente de manera que los calentadores de control continuo de la corriente de aire deben montarse separados a 5 pies (1524mm).

Al usar el calentador(es) como la fuente única térmica en el ambiente, la capacidad del calentador(es) debe corresponder con la pérdida térmica del ambiente. Para un buen control de la temperatura del ambiente, se recomienda un termostato de pared Marley montado sobre una pared interior.

Para evitar la decoloración de algunos materiales sintéticos de cortinados y para evitar una decoloración indebida de la pared, el lado del calentador debe estar a 1 pulgada (25.4mm) por lo menos del pliegue más cercano de las cortinas y el extremo del calentador debe estar alejado a 3 pies (914mm) de la pared. (Vea las Especificaciones y la Advertencia No.6).



ADVERTENCIA



SU CALENTADOR SE PROVEE CON UNA ALARMA (ZUMBADOR O LUZ DE ADVERTENCIA) QUE SONARA O SE ILUMINARA SI EL CALENTADOR ESTA CALENTANDO EXCESIVAMENTE POR ALGUNA RAZON. SI ESTO OCURRE BAJE LA GRADUACION DEL TERMOSTATO HASTA QUE CESE LA ALARMA Y PERMITA QUE EL CALENTADOR SE CALIENTE POR 30 MINUTOS POR LO MENOS. INSPECCIONE PARA ASEGURARSE QUE EL FLUJO DE AIRE A TRAVES DEL CALENTADOR NO ESTE BLOQUEADO (VEA LAS ADVERTENCIAS 5 Y 6 EN LA PAGINA 1) Y A CONTINUACION VUELVA A GRADUAR EL TERMOSTATO A LA TEMPERATURA DESEADA. SI LA ALARMA CONTINUA CICLANDO, CESE EL USO DEL CALENTADOR, DESCONECTE LA POTENCIA AL CALENTADOR EN EL PANEL DE INTERRUPTORES DE CIRCUITOS Y HAGA QUE EL CALENTADOR SEA INSPECCIONADO POR UNA PERSONA CALIFICADA DE SERVICIO.

INSTALACION DE LA CAJA EN PISOS DE MADERA

1. Provea un orificio de 7-3/8" por 14-1/4" (187mm por 362mm) en el piso, a 6" (152mm) de distancia de la pared con el lado más largo paralelo a la pared según se muestra en la Figura 1.

2. Inserte la armazón dentro de la abertura y asegure con cuatro clavos. **NOTA:** El armazón puede instalarse con los bordes planos contra el piso y la cobertura del piso entre la rejilla y el borde del armazón, con la condición que la cobertura del piso no sea más gruesa de 3/4" (19,1mm) y esté cortada para evitar que cualquier porción de la misma se extienda más allá del borde y dentro del armazón.

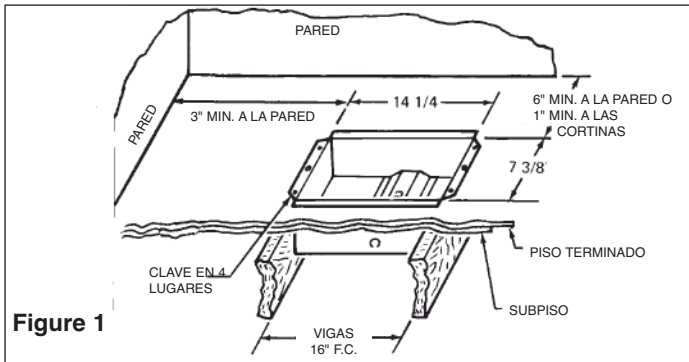


Figure 1

AVISO DE CABLEADO

Este calentador NO está provisto con un conmutador desconectador integrado de potencia. Para cumplir con el Código Eléctrico Nacional de 1993 (Sección 424-19 y 424-20) están disponibles las opciones siguientes:

1. El termostato del ambiente usado para controlar este calentador debe ser de un diseño de polo doble, positivo desconectado que desactive todos los conductores no conectados a tierra cuando esté en la posición "Off", o
2. El panel maestro desconectador de servicio debe estar ubicado a la vista del calentador, o
3. Los medios desconectadores deben poder asegurarse en la posición abierta.

CABLEADO DE LA CAJA (Vea la Advertencia No.2)

1. Instale el cable de alimentación dentro del orificio ciego deseado, dejando 6" (152mm) de guías extendiéndose dentro del armazón según mostrado en la Figura 2.

NOTA: Volumen del compartimiento de cableado - 15pulg.3 (244cm³)

2. Asegure la guía de conexión a tierra al tornillo de conexión a tierra al fondo del armazón.
3. Para el Modelo I1500, conecte la guía blanca (neutra) de alimentación a la guía blanca del receptáculo y la guía negra de la línea de alimentación a la guía negra del receptáculo, según se muestra en la Figura 2. (Vea también el diagrama de cableado mostrado en la Figura 4). Para I1504 conecte las dos guías negras de alimentación a las dos guías negras del receptáculo. (Vea el Diagrama de Cableado ilustrado en la Figura 4).
4. Instale la caja de empalmes según ilustrado en la Figura 2.

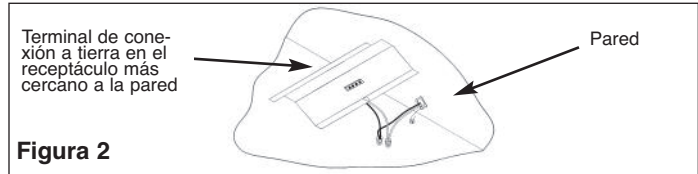


Figura 2

PARA REDUCIR EL VATAJE

El vataje del calentador puede reducirse de 1500W a 750W por la extracción de dos (2) puentes rojos.

INSTALACION DEL CONJUNTO DEL CALENTADOR

NOTA: Para las unidades con un termostato integrado, el bulbo detector de temperatura debe ubicarse en el lado del calentador que esté más cercano a la pared, para una operación más eficiente.



PRECAUCION



ASEGURESE QUE ESTE DESCONECTADA LA POTENCIA EN EL PANEL MAESTRO DESCONECTADOR ANTES DE INSERTAR EL CALENTADOR EN LA CAJA, PARA EVITAR UN CHOQUE ELECTRICO POSIBLE.

Deslice parcialmente el conjunto del calentador dentro de la caja de manera que el enchufe pueda insertarse en el receptáculo de la caja de empalmes. Después que el enchufe se haya insertado bien en el receptáculo, empuje el calentador hacia abajo en posición y asegure con los dos (2) tornillos provistos. (Vea la Figura 3).

INSTALACION DE LA REJILLA

1. Si se instala una cobertura de piso después de instalarse la caja, asegúrese que no se extienda más allá de los bordes de la caja. (Vea la Nota de "Instalación en Pisos de Madera").
2. Coloque la rejilla sobre la caja y asegure con los dos tornillos pintados provistos según se muestra en la Figura 3. (Vea la Advertencia No.7).

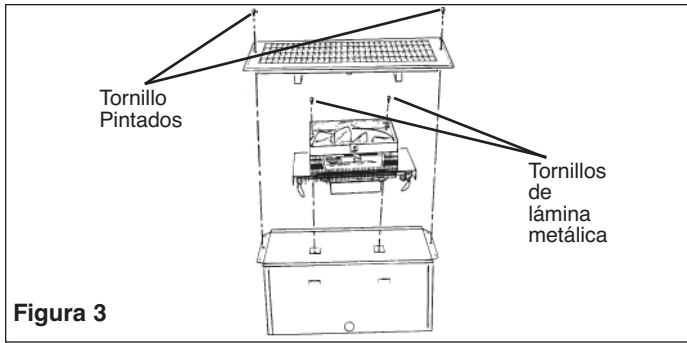


Figura 3

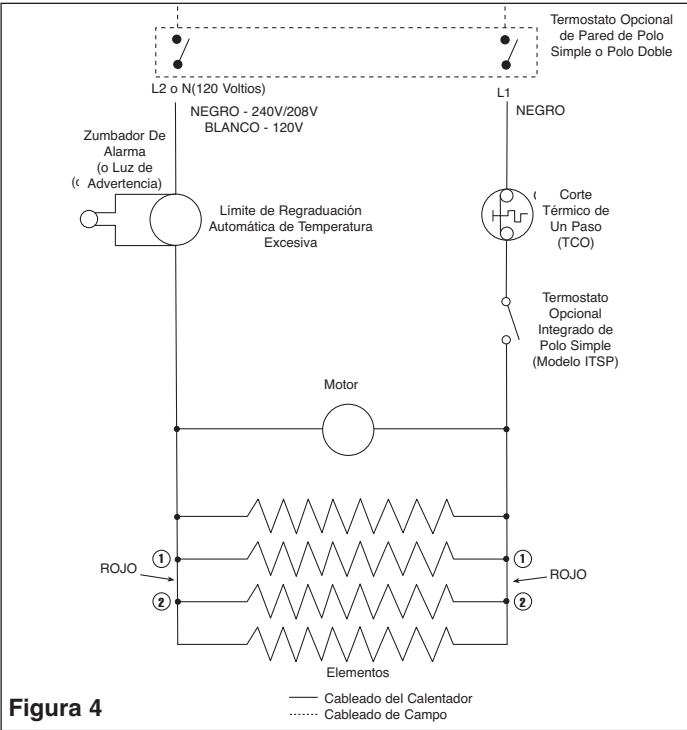


Figura 4

INFORMACION IMPORTANTE

MANTENIMIENTO

LIMPIEZA DEL CALENTADOR: El calentador debe limpiarse anualmente para obtener una máxima eficiencia. Antes de limpiar asegúrese que la potencia esté desconectada y que el calentador esté frío. Extraiga la rejilla y limpie el ventilador usando una aspiradora con un aditamento de cepillo. La rejilla puede limpiarse con un trapo ligeramente húmedo si se desea.

AVISO OPERATIVO

Su calentador está equipado con un control de límite de regraduación que APAGARA automáticamente el calentador para evitar un incendio, si el calentador se calienta excesivamente. Si el calentador se calienta excesivamente, sonará un zumbador (o una luz en algunos modelos) de alarma (o una luz se iluminará en algunos modelos) hasta que el calentador se enfríe y se regradúe el límite.

PRECAUCION

LA ACTIVACION DEL ZUMBADOR DE ALARMA (O LUZ) SIGNIFICA QUE EL CALENTADOR HA ESTADO SUJETO A ALGUNA CONDICION ANORMAL CAUSANDO QUE SE CALIENTE EXCESIVAMENTE. INSPECCIONE EL CALENTADOR PARA ASEGURAR QUE NO ESTE BLOQUEADO (SI LO ESTA, ELIMINE EL BLOQUEO). SI NO HAY INDICACIONES DE BLOQUEO, SE RECOMIENDA QUE EL CALENTADOR SEA INSPECCIONADO POR UN ELECTRICISTA O SERVICIO DE REPARACION DE BUENA REPUTACION PARA ASEGURAR QUE EL CALENTADOR NO HA SIDO DAÑADO.

Además del control automático su calentador está provisto con un corte térmico auxiliar de un paso (TCC). Este control de seguridad se abrirá solamente si el control automático falla en mantener temperaturas seguras. Si este control opera, el calentador debe ser reparado por un electricista calificado.

PLACA DE NOMBRE

NO. DE MODELO	I1500	CODIGO DE FECHA	0997
CALENTADOR DE INSERCIÓN DE PISO DE TIRO FORZADO			
120	1500/750	12.5/6.3/	
VOLTIOS CA	VATIOS	AMPERIOS	

USE SOLO CON CAJAS DE SERIE I. NO OPERE SIN LA REJILLA EN SU LUGAR



MARLEY ENGINEERED PRODUCTS
BENNETTSVILLE, SC 29512

774G LISTED
CALENTADOR DE
AMBIENTE
4104-2206-000

GARANTIA LIMITADA

Todos los productos fabricados por Marley Engineered Products están garantizados contra defectos de mano de obra y materiales durante un año a partir de la fecha de instalación, excepto los elementos calefactores que están garantizados contra defectos de mano de obra y materiales por cinco años a partir de la fecha de instalación. Esta garantía no se aplica por daños ocurridos por accidente, mal uso, o alteración, ni cuando el voltaje conectado sea 5% mayor que el indicado en la placa de nombre; ni al equipo instalado o cableado indebidamente, o mantenido en violación de las instrucciones de instalación del producto. Todos los reclamos de trabajo de garantía deben estar acompañados por prueba de la fecha de instalación.

El cliente será responsable por todos los costos incurridos en la extracción o reinstalación de los productos, incluyendo costos de mano de obra, y costos de transporte incurridos al retornar los productos a Marley Engineered Products Service Center y nosotros las repararemos o reemplazaremos, a nuestra opción, sin cargo para usted, con transporte de regreso pagado por Marley. Se acuerda mutuamente que tal reparación o reemplazo es el remedio exclusivo disponible de Marley Engineered Products.

LAS GARANTIAS INDICADAS ARRIBA SON A CAMBIO DE CUALQUIER OTRA GARANTIA EXPRESA O IMPLICITA Y SE DESCONOCEN Y EXCLUYEN DE ESTE ACUERDO TODAS LAS GARANTIAS IMPLICITAS DE COMERCIALIZACION Y APTITUD PARA UN FIN PARTICULAR QUE EXCEDAN LAS GARANTIAS PREVIAMENTE EXPRESADAS. MARLEY ENGINEERED PRODUCTS NO SERA RESPONSABLE POR DAÑOS CONSECUENTES ORIGINADOS POR EL PRODUCTO, YA SEAN QUE ESTEN BASADOS EN NEGLIGENCIA, LITIGACION, RESPONSABILIDAD ESTRICTA O CONTRATO.

Algunos estados no permiten la exclusión o limitación de los daños incidentales o consecuentes, de manera que la exclusión o limitación indicada arriba puede no aplicarse a usted. Esta garantía le otorga derechos legales específicos, y usted puede tener también otros derechos que varían de estado a estado.

Llame a Marley Engineered Products, Bennettsville, SC 29512, al 1-800-642-4328, para la dirección de su centro autorizado de servicio más cercano. La mercadería retornada a la fábrica debe estar acompañada por una autorización de retorno y una etiqueta de identificación de servicio, ambas disponibles de Marley Engineered Products. Incluya todos los números de catálogo mostrados en el producto, al requerir autorización de retorno.

COMO OBTENER SERVICIO EN GARANTIA, PIEZAS DE REPUESTO E INFORMACION GENERAL

1. Servicio o repuestos, en garantía: **1-800-642-4328**
2. Compra de piezas de repuesto: **1-800-654-3545**
3. Información general sobre productos: **www.marlymep.com**

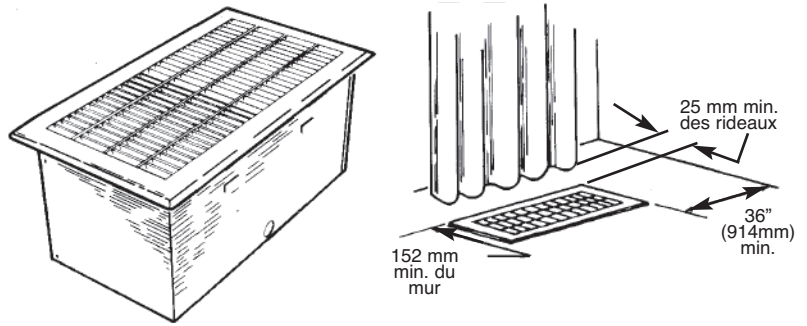
Nota: Cuando solicite servicio, siempre dé la información que sigue:

1. Número de modelo del producto
2. Fecha de fabricación
3. Número de parte o descripción



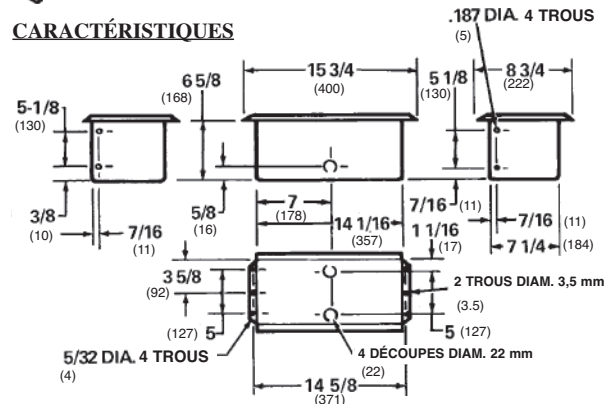
Marley
Engineered Products

470 Beauty Spot Rd. East
Bennettsville, SC 29512 USA



Cat. No. I1500 & I1504
Appareil de chauffage de
montage dans le sol.

CARACTÉRISTIQUES



Instructions d'installation et d'entretien

Cher propriétaire,

Félicitations! Nous vous remercions d'avoir acheté ce nouveau radiateur fabriqué par une division de Marley Engineered Products. Vous avez fait un bon investissement en choisissant le produit de la meilleure qualité de l'industrie du chauffage. Veuillez lire soigneusement les instructions d'installation et d'entretien apparaissant dans ce manuel. Vous profiterez de nombreuses années de confort de chauffage efficace avec ce produit de Marley Engineered Products ... le leader de l'industrie en conception, fabrication, qualité et service.

*... Les employés de
 Marley Engineered Products*



AVERTISSEMENT



Lire attentivement - Ces instructions ont été écrites pour vous aider à éviter des difficultés qui peuvent se produire pendant l'installation des radiateurs. Étudier les instructions avant de procéder à l'installation peut faire gagner du temps et éviter des dépenses considérables plus tard. Observer les procédures suivantes pour réduire le temps d'installation au minimum.

Pour réduire les risques d'incendie et d'électrocution :

- Débrancher TOUTES les sources d'alimentation du radiateur depuis le panneau d'alimentation principal avant de câbler ou d'effectuer un entretien. S'assurer que l'alimentation soit coupée lors de l'installation du radiateur dans le boîtier arrière.
- Tout le câblage doit être conforme aux codes électriques locaux et nationaux et le boîtier arrière du radiateur doit être mis à la terre.
- Vérifier que la tension d'alimentation arrivant au radiateur corresponde à la tension nominale imprimée sur la plaque signalétique du radiateur avant de le mettre sous tension.
- Ce radiateur ne convient PAS à une utilisation dans les emplacements qualifiés de dangereux par l'association nationale de protection contre les incendies (NFPA). Ce radiateur contient des pièces chaudes ou produisant des étincelles. NE PAS l'utiliser dans les endroits où de l'essence, de la peinture ou d'autres liquides inflammables sont utilisés ou stockés.
- Ce radiateur est chaud lorsqu'il fonctionne. Garder les cordons électriques, les rideaux, les articles en mousse, la literie et les autres meubles éloignés du radiateur. NE PAS installer ce radiateur de façon à ce que l'air de sortie chaud souffle directement sur des articles qui peuvent être endommagés par la chaleur tels que le plastique ou le vinyle transparent. La chaleur du radiateur pourrait causer une décoloration de ces matéri-

aux si la température nominale qu'ils peuvent supporter est inférieure à 65°C.

- Ce radiateur est destiné UNIQUEMENT à une installation dans le sol. NE PAS l'installer dans un mur, un plafond, ni de façon à ce que le débit d'air dans le radiateur puisse être obstrué. NE PAS installer le radiateur sans boîtier. NE PAS installer les côtés du radiateur à moins de 152 mm d'un mur ni l'extrémité du radiateur à moins de 914 mm d'un mur.
- NE PAS faire fonctionner le radiateur sans la grille en place. La grille doit être bloquée avec les deux vis fournies pour éviter qu'elle ne soit retirée de manière inintentionnelle.
- Ce radiateur ne doit pas être utilisé dans les lieux humides où il risque d'être trempé.
- NE PAS insérer ni laisser des objets étrangers pénétrer dans les ouvertures du radiateur car cela pourrait causer une électrocution, un incendie, ou des dégâts permanents du radiateur.
- Puisque ce radiateur est destiné à des installations au sol, il a plus de risque d'être sali et de nécessiter un entretien de routine. Il est recommandé de nettoyer le radiateur et de l'entretenir au moins tous les ans. Ne pas garder le radiateur propre peut entraîner un incendie ou une panne prématurée.
- Ce radiateur est équipé d'une alarme (alarme sonore ou lumineuse) qui retentit (ou s'allume) si le radiateur surchauffe. Elle doit avertir l'utilisateur d'un danger et déclencher une action par l'utilisateur pour corriger la condition anormale qui existe. NE PAS continuer à utiliser le radiateur si l'alarme retentit (ou s'allume). Le cycle répété de l'alarme indique que le radiateur a besoin d'être nettoyé ou entretenu.

CONSERVER CES INSTRUCTIONS

INSTRUCTIONS GÉNÉRALES

Lors de l'installation du radiateur comme barrière thermique sous une fenêtre, il est recommandé que la capacité du radiateur corresponde à la perte de chaleur de la surface vitrée. De plus, la dispersion thermique de chaque radiateur est d'environ 1,52 m. Par conséquent, pour un contrôle continu des pertes de chaleur, les radiateurs doivent être installés tous les 1,52 m.

Lors de l'utilisation des radiateurs comme seule source de chaleur dans la pièce, la capacité des radiateurs doit correspondre à la perte de chaleur de la pièce. Pour un bon contrôle de température ambiante, il est recommandé de monter un thermostat mural Marley sur un mur intérieur.

Pour éviter la décoloration de certains matériaux de rideaux synthétiques, et pour éviter une décoloration inutile du mur, le côté du radiateur doit être à au moins 25,4 mm du pli de rideau le plus proche et l'extrémité du radiateur doit être à au moins 914 mm du mur (voir les caractéristiques et l'avertissement n° 6).

AVERTISSEMENT

LE RADIATEUR EST ÉQUIPÉ D'UNE ALARME (SONORE OU LUMINEUSE) QUI RETENTIT (OU S'ALLUME) SI LE RADIATEUR SURCHAUFFE POUR QUELLE QUE RAISON QUE CE SOIT. SI CELA SE PRODUIT, BAISSER LE THERMOSTAT JUSQU'À CE QUE L'ALARME S'ARRÊTE ET LAISSER LE RADIATEUR REFROIDIR PENDANT AU MOINS 30 MINUTES. S'ASSURER QUE LE DÉBIT D'AIR DANS LE RADIATEUR NE SOIT PAS BLOQUÉ (VOIR LES AVERTISSEMENT 5 ET 6 PAGE 1) PUIS RAMENER LE THERMOSTAT À LA TEMPÉRATURE DÉSIRÉE. SI L'ALARME CONTINUE DE S'ALLUMER, ARRÊTER D'UTILISER LE RADIATEUR, COUPER L'ALIMENTATION DU RADIATEUR AU NIVEAU DU PANNEAU DE DISJONCTEUR ET FAIRE CONTRÔLER LE RADIATEUR PAR UN DÉPANNÉUR QUALIFIÉ.

INSTALLATION DES BOÎTIERS DANS LES PARQUETS

1. Prévoir un trou de 187 par 362 mm dans le sol à au moins 152 mm du mur avec le côté le plus long parallèle au mur conformément à la figure 1.
2. Insérer le boîtier dans l'ouverture et le bloquer avec quatre clous.

REMARQUE: Le boîtier peut être installé avec les rebords à plat contre le sol et le revêtement de sol entre la grille et les rebords de boîtier, à condition que le revêtement de sol ne soit pas épais de plus de 19 mm et qu'il soit coupé pour éviter que des portions ne se prolongent au delà des rebords et dans le boîtier.

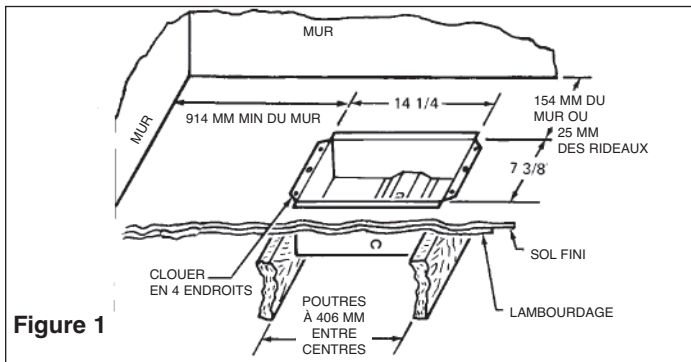


Figure 1

AVIS SUR LE CÂBLAGE

Ce radiateur n'est PAS fourni avec un interrupteur. Pour conformité au code national électrique de 1993 (section 424-19 et 424-20) les options suivantes sont disponibles :

1. Le thermostat d'ambiance utilisé pour contrôler ce radiateur doit être de type à double pôle, avec coupure positive qui coupe l'alimentation de tous les fils non à la terre lorsqu'il est sur arrêt, ou
2. Le tableau d'alimentation principal doit être en vu du radiateur, ou
3. L'interrupteur doit pouvoir être bloqué en position ouverte.

CÂBLAGE DU BOÎTIER (Voir l'avertissement n° 2)

1. Amener le fil d'alimentation dans la découpe désirée, en laissant 15 cm de fil sortir dans le boîtier conformément à la figure 2.
- REMARQUE :** Le volume du compartiment de câblage est de 244 cm³
2. Bloquer le fil de terre à la vis de terre au bas du boîtier.
 3. Pour le modèle I1500, brancher le fil d'alimentation blanc (neutre) sur le fil blanc de la prise et le fil noir d'alimentation sur le fil noir de la prise conformément à la figure 2. (Voir également le schéma de câblage illustré figure 4). Pour le modèle I1504, connecter les deux fils d'alimentation noirs sur les deux fils de prise noirs. (Voir le schéma de câblage illustré figure 4).
 4. Installer le couvercle du boîtier de jonction conformément à la figure 2.

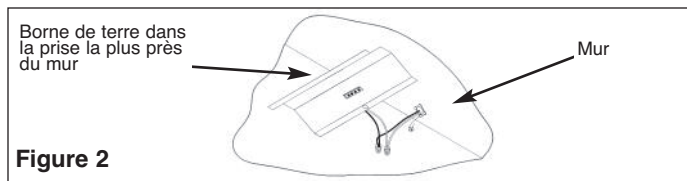


Figure 2

POUR RÉDUIRE LA PUISSANCE

La puissance du radiateur peut être réduite de 1500W à 750W en retirant deux cavaliers rouges.

INSTALLATION DU RADIATEUR

REMARQUE: Pour les appareils munis de thermostat intégré, l'ampoule de détection de température doit être sur le côté du radiateur le plus près du mur pour obtenir le fonctionnement le plus efficace.

ATTENTION

POUR ÉVITER LE RISQUE D'ÉLECTROCUTION, S'ASSURER QUE L'ALIMENTATION DU RADIATEUR SOIT COUPÉE AU NIVEAU DU PANNEAU DE DISJONCTEUR AVANT D'INSÉRER LE RADIATEUR DANS LE BOÎTIER.

Glisser le radiateur partiellement dans le boîtier pour que la prise puisse être insérée dans la prise du couvercle de boîtier de jonction. Après avoir complètement inséré la prise, pousser le radiateur en place et bloquer avec les deux vis fournies. (Voir la figure 3).

INSTALLATION DE LA GRILLE

1. Si un revêtement de sol est installé après installation du boîtier, s'assurer qu'il ne dépasse pas des bords du boîtier. (Voir la remarque de "Installation du boîtier dans les parquets).
2. Placer la grille sur le boîtier et la bloquer avec les deux vis peintes fournies conformément à la figure 3. (Voir l'avertissement n° 7).

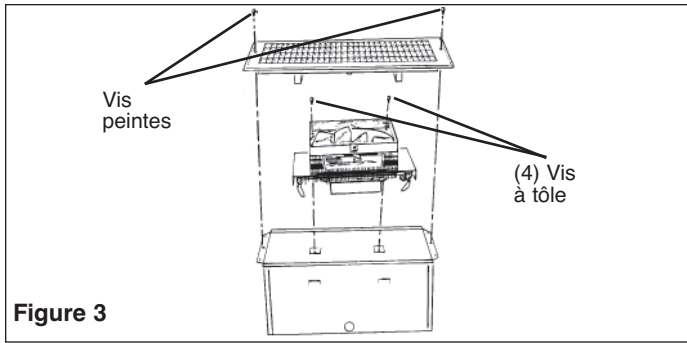


Figure 3

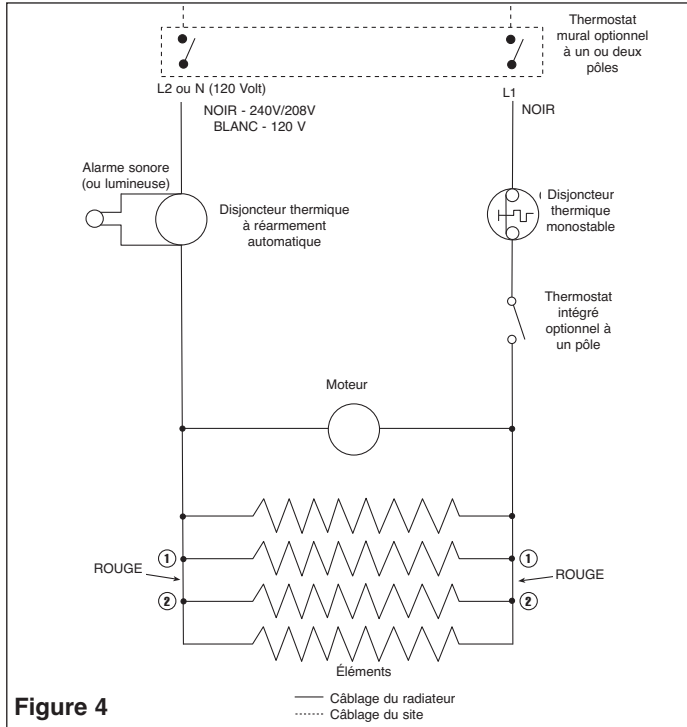


Figure 4

INFORMATION IMPORTANTE

ENTRETIEN

POUR NETTOYER LE RADIATEUR : Le radiateur doit être nettoyé tous les ans pour une efficacité maximum. Avant le nettoyage, s'assurer que l'alimentation soit coupée et que le radiateur soit froid. Retirer la grille et nettoyer le ventilateur avec un aspirateur muni d'une brosse. La grille peut être nettoyée avec un chiffon légèrement humide le cas échéant.

AVIS SUR LE FONCTIONNEMENT

Le radiateur est équipé d'un disjoncteur thermique à réarmement automatique qui coupe automatiquement le radiateur pour éviter un incendie si le radiateur surchauffe. Si le radiateur surchauffe, une alarme sonore (ou lumineuse sur certains modèles) retentit (ou s'allume) jusqu'à ce que le radiateur refroidisse et que le disjoncteur thermique soit réarmé.

ATTENTION

L'ACTIVATION DE L'ALARME SONORE (OU LUMINEUSE) SIGNIFIE QUE LE RADIATEUR A ÉTÉ SOUMIS À DES CONDITIONS ANORMALES LE FAISANT SURCHAUFFER. INSPECTER LE RADIATEUR POUR S'ASSURER QU'IL NE SOIT PAS BOUCHÉ DE QUELLE QUE MANIÈRE QUE CE SOIT (SI C'EST LE CAS, RETIRER CE QUI BOUCHE). S'IL N'Y A PAS DE SIGNE DE BLOCAGE, IL EST RECOMMANDÉ DE FAIRE INSPECTER LE RADIATEUR PAR UN DÉPANNEUR OU UN ÉLECTRICIEN RÉPUTÉ.

En plus du contrôle automatique, le radiateur est muni d'un disjoncteur monostable de secours. Le dispositif de sécurité ne s'ouvre que si le contrôle automatique ne maintient pas une température sans danger. Si ce contrôle se déclenche, le radiateur doit être réparé par un électricien qualifié.

PLAQUE SIGNALÉTIQUE

N° DE MODÈLE **I1500** CODE DE DATE **0997**
 RADIATEUR DE SOL À AIR PULSÉ
 120 VOLTS ALT. 1500/750 WATTS 12.5/6.3/ A

À N'UTILISER QU'AVEC LES BOÎTIERS SÉRIE I. NE PAS FAIRE FONCTIONNER SANS LA GRILLE EN PLACE.



MARLEY ENGINEERED PRODUCTS
 BENNETTSVILLE, SC 29512

774G LISTED
 RADIATEUR AMBIANT
 HOMOLOGUÉ

4104-2206-000

GARANTIE LIMITÉE

Tous les produits mentionnés dans la présente notice sont garantis contre tout vice de matière et de construction pour une durée d'une année à partir de la date de montage, à l'exception des éléments de chauffage qui sont garantis contre tout défaut de matière et de construction pour une durée de cinq années à partir de la date de montage. Cette garantie ne s'applique pas aux dommages provoqués par un accident, une mauvaise utilisation ou une modification; elle ne s'applique pas non plus lorsque l'appareil a été branché sur un courant de tension supérieure de plus de 5% à la tension indiquée sur la plaque signalétique, ni à du matériel incorrectement monté, câblé ou entretenu, des instructions de l'installation du produit. Toute réclamation dans le cadre de la garantie doit être accompagnée d'une preuve de la date de montage.

Les frais de démontage et de remontage des produits, y compris de main-d'oeuvre ainsi que les frais d'expédition à un centre de réparation Marley Engineered Products seront à la charge du client. Retourner, dans les limites de cette garantie, l'appareil en panne, à l'atelier de réparations agréé Marley le plus proche ou au Centre de réparations Marley Engineered Products et nous le réparerons ou le remplacerons à notre choix, sans frais pour vous, l'expédition de retour étant à notre charge. Il est entendu que la réparation ou le remplacement constitue le remède exclusif fourni par Marley Engineered Products.

LES GARANTIES CI-DESSUS REMPLACENT TOUTES LES AUTRES GARANTIES EXPLICITES OU IMPLICITES ET TOUTES LES GARANTIES IMPLICITES DE QUALITÉ MARCHANDE ET D'ADAPTATION À UN BUT PARTICULIER DÉPASSANT LES GARANTIES EXPLICITES SUS-MENTIONNÉES SONT REJETÉES ET EXCLUES DE CE CONTRAT. MARLEY ENGINEERED PRODUCTS NE SERA PAS RESPONSABLE DES DOMMAGES INDIRECTS PROVOQUÉS PAR LE PRODUIT, QUE LA RÉCLAMATION SE FONDE SUR UNE FAUTE, LA NÉGLIGENCE, LA STRICTE RESPONSABILITÉ OU LE CONTRAT.

Certaines états ne permettent pas les exclusions ou les limites aux dommages indirects ou consécutifs; les exclusions ou limites exposées ci-dessus risquent donc de ne pas s'appliquer à vous. Cette garantie vous donne des droits spécifiques face à la loi et vous pouvez disposer d'autres droits, variables d'un province à un autre.

Pour obtenir l'adresse du centre de réparation autorisé le plus proche, appelez Marley Engineered Products à Bennettsville, SC, États-Unis, au 1-800-642-4328. Les marchandises retournées à l'usine doivent être accompagnées du numéro d'autorisation et de l'étiquette d'identification du service, tous deux fournis par Marley Engineered Products. Inclure toutes les références figurant sur les produits dans toute demande d'autorisation de retour.

COMMENT OBTENIR DES INFORMATIONS GÉNÉRALES ET DEMANDER UNE RÉPARATION OU DES PIÈCES SOUS GARANTIE

- | | |
|--|--|
| 1. Réparations et pièces sous garantie | 1-800-642-4328 |
| 2. Achat de pièces de rechange | 1-800-654-3545 |
| 3. Informations générales sur les produits | www.marleymep.com |

Remarque : Lorsque vous demandez de l'assistance, ayez toujours en main

1. Le numéro de modèle du produit
2. La date de fabrication
3. Numéro ou description de la pièce



Marley
Engineered Products

470 Beauty Spot Rd. East
Bennettsville, SC 29512 USA

ECR 38831
07/10