

# CDB BELT DRIVE DOWNBLAST FANS

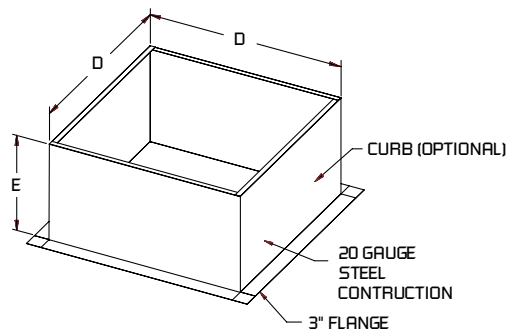
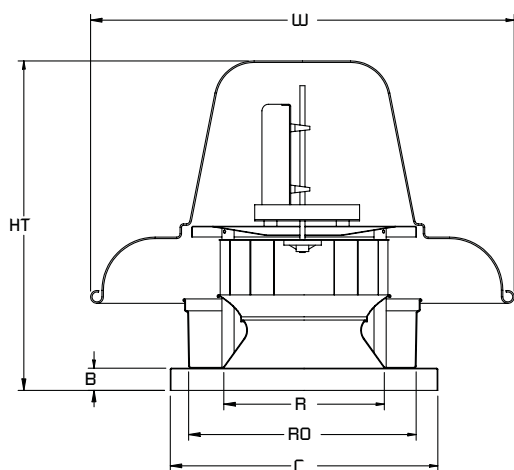
## FEATURES & BENEFITS

- Suitable for roof or wall mount (up to model CDB-24/2HP)
- Backward inclined, non-overloading wheels
- Spun aluminum housing for weather resistant durability
- Fully ventilated motor cooling compartment for long motor life
- Quick release latches for easy access to motor compartment
- Blades and inlets fabricated from aluminum
- Variable pitch motor pulley allows for field adjustment and system balancing
- High efficiency wheels and low tip speeds result in quiet operation
- Disconnect switch
- Bird screen
- Vibration isolation
- 110 F max. temperature rating
- Available in the following voltages:
  - o 115-208/230V 1 phase
  - o 208/230V 1 phase
  - o 208/230-460V 3 phase
  - o 575V 3 phase



## ACCESSORIES / OPTIONS

- Gravity damper
- Wall mount sleeve
- Motorized damper
- Roof curb



DIMENSIONS IN INCHES*											
MODEL	HT	W	B	C	D	E	R	RO	WT (LBS)	DAMPER SQUARE	MANUFACTURE CODE
CDB-07	25.5	26.3	2	21.0	19.5	12	12.1	16	90	15.0	BDCR7
CDB-08	25.5	26.3	2	21.0	19.5	12	12.1	16	90	15.0	BDCR8
CDB-09	25.5	26.3	2	21.0	19.5	12	12.1	16	90	15.0	BDCR9
CDB-11	25.5	26.3	2	21.0	19.5	12	12.1	16	105	15.0	BDCR11
CDB-13	27.3	29.6	2	21.0	19.5	12	13.3	16	105	15.0	BDCR13
CDB-15	30.6	33.3	2	24.8	23.0	12	14.9	20	130	19.0	BDCR15
CDB-18	32.8	38.3	2	28.0	26.5	12	16.5	24	190	23.0	BDCR18
CDB-20	32.8	38.3	2	28.0	26.5	12	18.0	24	195	23.0	BDCR20
CDB-24	37.8	42.5	2	33.0	31.5	12	23.9	28	215	27.0	BDCR24
CDB-30	40.0	52.0	2	40.0	38.0	12	24.0	36	380	35.0	BDCR30
CDB-36	43.0	66.0	2	44.5	43.0	12	30.8	36	420	35.5	BDCR36

\*DO NOT USE FOR CONSTRUCTION

CONSULT FACTORY FOR CERTIFIED PRINTS

# CDB BELT DRIVE DOWNBLAST FANS

PERFORMANCE									
MODEL	RPM	MTR HP	0" S.P. CFM SONE / BHP	0.25" S.P. CFM SONE / BHP	0.50" S.P. CFM SONE / BHP	0.75" S.P. CFM SONE / BHP	1" S.P. CFM SONE / BHP	1.25" S.P. CFM SONE / BHP	1.50" S.P. CFM SONE / BHP
CDB-07-14	700	0.25	355 2.0 / 0.02						
CDB-07-14	900	0.25	455 4.3 / 0.04	300 2.9 / 0.05					
CDB-07-14	1100	0.25	560 6.4 / 0.08	434 5.5 / 0.08	265 5.3 / 0.08				
CDB-07-14	1300	0.25	660 6.8 / 0.13	556 6.8 / 0.13	440 6.5 / 0.13	256 6.2 / 0.12			
CDB-07-14	1500	0.25	760 11.1 / 0.19	673 11.0 / 0.20	577 10.8 / 0.20	468 10.2 / 0.20	295 9.0 / 0.18		
CDB-08-14	700	0.25	512 2.4 / 0.2						
CDB-08-14	900	0.25	655 5.0 / 0.05	483 4.5 / 0.06					
CDB-08-14	1100	0.25	800 7.3 / 0.09	670 7.1 / 0.10	500 6.4 / 0.10				
CDB-08-14	1300	0.25	945 9.8 / 0.14	841 9.5 / 0.15	712 8.8 / 0.17	544 8.5 / 0.16			
CDB-08-14	1500	0.25	1095 13.1 / 0.22	1002 12.9 / 0.23	900 12.9 / 0.25	775 12.4 / 0.25	628 11.3 / 0.25		
CDB-09-14	800	0.25	715 3.8 / 0.04	428 3.6 / 0.04					
CDB-09-14	1000	0.25	895 6.8 / 0.07	701 6.7 / 0.08					
CDB-09-14	1200	0.25	1075 9.3 / 0.12	928 9.1 / 0.13	717 9.1 / 0.14				
CDB-09-14	1400	0.25	1255 11.6 / 0.19	1136 11.5 / 0.21	984 11.3 / 0.22	771 9.9 / 0.22			
CDB-09-13	1600	0.33	1435 16.1 / 0.28	1332 15.7 / 0.30	1211 15.3 / 0.32	1057 14.7 / 0.33	870 13.8 / 0.32	585 13.0 / 0.30	
CDB-11-14	800	0.25	735 2.7 / 0.03						
CDB-11-14	1000	0.25	920 4.2 / 0.06	710 3.6 / 0.09					
CDB-11-14	1200	0.25	1105 6.7 / 0.10	965 6.0 / 0.15	728 5.4 / 0.16				
CDB-11-13	1400	0.33	1286 8.7 / 0.16	1212 8.8 / 0.20	986 8.2 / 0.25	788 6.6 / 0.26			
CDB-13-14	800	0.25	1298 5.7 / 0.08	1000 6.0 / 0.16					
CDB-13-14	900	0.25	1458 7.2 / 0.11	1207 6.4 / 0.13					
CDB-13-14	1000	0.25	1622 9.2 / 0.15	1394 8.5 / 0.18	1113 7.5 / 0.19				
CDB-13-14	1100	0.25	1781 11.4 / 0.20	1575 10.9 / 0.23	1356 10.0 / 0.25				
CDB-13-13	1200	0.33	1943 14.0 / 0.26	1762 13.8 / 0.30	1561 12.7 / 0.32	1288 12.0 / 0.32			
CDB-13-12	1300	0.50	2107 13.9 / 0.33	1932 13.9 / 0.36	1756 13.6 / 0.39	1553 11.6 / 0.40			
CDB-13-12	1400	0.50	2272 15.9 / 0.41	2108 15.0 / 0.44	1948 14.7 / 0.48	1769 13.9 / 0.50	1541 12.3 / 0.50		

# CDB BELT DRIVE DOWNBLAST FANS

PERFORMANCE									
MODEL	RPM	MTR HP	0" S.P. CFM SONE / BHP	0.25" S.P. CFM SONE / BHP	0.50" S.P. CFM SONE / BHP	0.75" S.P. CFM SONE / BHP	1" S.P. CFM SONE / BHP	1.25" S.P. CFM SONE / BHP	1.50" S.P. CFM SONE / BHP
CDB-15-14	700	0.25	1807 5.0 / 0.10	1376 4.0 / 0.12					
CDB-15-14	800	0.25	2068 7.0 / 0.15	1708 6.1 / 0.18	1066 4.4 / 0.17				
CDB-15-13	900	0.33	2330 8.9 / 0.21	2017 8.1 / 0.24	1600 6.9 / 0.26				
CDB-15-13	1000	0.33	2586 10.7 / 0.29	2327 9.9 / 0.30	1995 9.1 / 0.35	1446 7.1 / 0.33			
CDB-15-12	1100	0.50	2844 10.9 / 0.38	2605 10.9 / 0.42	2321 10.8 / 0.45	1957 9.6 / 0.46	1155 9.3 / 0.39		
CDB-15-34	1200	0.75	3106 13.9 / 0.49	2886 13.8 / 0.53	2643 13.5 / 0.57	2343 12.8 / 0.59	1915 11.6 / 0.57		
CDB-18-14	600	0.25	2344 5.9 / 0.17	1905 5.0 / 0.20					
CDB-18-13	700	0.33	2739 8.8 / 0.26	2361 7.8 / 0.30	1830 6.6 / 0.30				
CDB-18-12	800	0.50	3138 11.6 / 0.39	2800 10.6 / 0.43	2445 9.5 / 0.46	1681 8.9 / 0.42			
CDB-18-34	900	0.75	3529 13.7 / 0.55	3235 12.9 / 0.60	2928 11.9 / 0.63	2559 10.9 / 0.64			
CDB-18-01	1000	1.00	3920 14.8 / 0.74	3661 14.8 / 0.79	3384 14.0 / 0.83	3086 12.8 / 0.86	2682 11.9 / 0.85		
CDB-20-14	500	0.25	2862 5.0 / 0.15	2094 3.7 / 0.17					
CDB-20-13	600	0.33	3444 7.5 / 0.25	2890 6.4 / 0.30					
CDB-20-12	700	0.50	4010 10.5 / 0.39	3592 9.6 / 0.45	2939 8.1 / 0.47				
CDB-20-34	800	0.75	4580 12.7 / 0.58	4229 11.9 / 0.65	3746 10.7 / 0.69	3049 8.9 / 0.68			
CDB-20-01	900	1.00	5156 15.5 / 0.81	4849 15.5 / 0.90	4476 14.7 / 0.95	3954 13.5 / 0.96	3224 11.3 / 0.92		
CDB-24-14	400	0.25	3781 5.8 / 0.17	2437 4.6 / 0.20					
CDB-24-34	600	0.75	5687 12.0 / 0.56	5075 11.3 / 0.65	4002 9.4 / 0.65				
CDB-24-02	800	2.00	7592 19.2 / 1.29	7141 19.2 / 1.40	6549 18.3 / 1.48	5847 17.5 / 1.52	4964 15.9 / 1.51	2975 16.1 / 1.26	
CDB-30-34	400	0.75	6553 7.1 / 0.51	5571 6.2 / 0.59	3674 5.0 / 0.53				
CDB-30-32	500	1.50	8186 11.3 / 0.95	7425 10.4 / 1.08	6454 9.1 / 1.11	4953 8.1 / 1.06			
CDB-30-02	600	2.00	9840 14.1 / 1.64	9212 14.2 / 1.81	8550 12.6 / 1.90	7701 11.2 / 1.93	6443 10.9 / 1.87		
CDB-30-03	700	3.00	11500 17.7 / 2.59	10944 17.6 / 2.79	10393 17.0 / 2.91	9841 15.8 / 3.00	9025 14.9 / 3.00	8054 13.9 / 3.00	6763 13.8 / 2.82
CDB-36-34	300	0.75	8790 5.9 / 0.50	6827 5.0 / 0.61					
CDB-36-32	400	1.50	11759 10.6 / 1.14	10441 9.6 / 1.34	8594 8.4 / 1.38				
CDB-36-03	500	3.00	14700 15.5 / 2.20	13686 14.7 / 2.47	12514 13.7 / 2.63	10971 12.4 / 2.66	7759 12.4 / 2.31		
CDB-36-05	600	5.00	17654 21.0 / 3.77	16771 21.0 / 4.08	15903 19.8 / 4.35	14859 18.8 / 4.50	13638 18.0 / 4.56	12000 17.9 / 4.47	