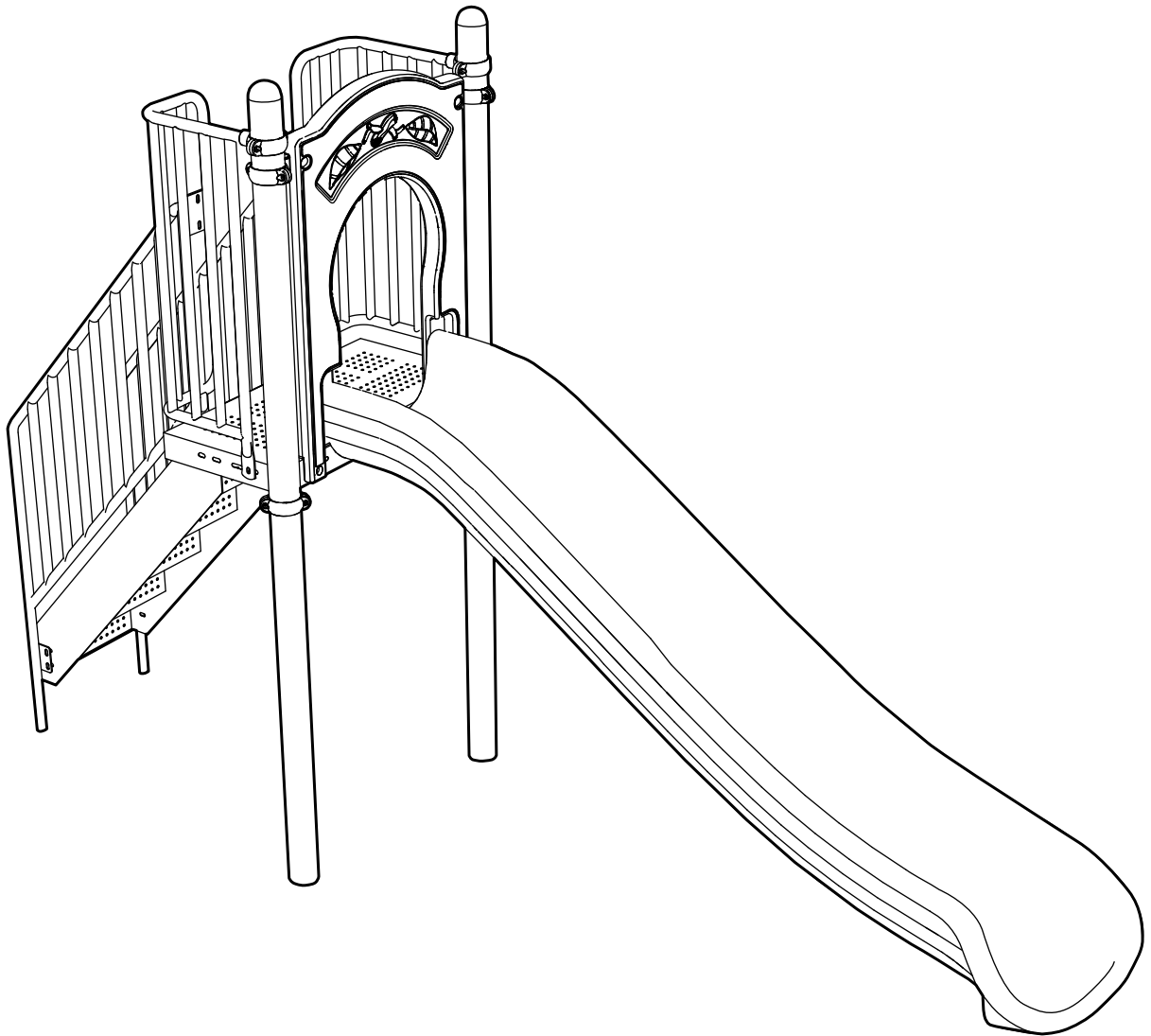


UPLAY TODAY™

P L A Y S Y S T E M S



MODEL # SLIDE-P(N)

Freestanding Slide

ASSEMBLY INSTRUCTIONS

SPECIFICATIONS

SPECIFICATIONS:

Uprights: Shall be 3.5" O.D. steel tubing, 12 gauge(.109 wall), powder coated after fabrication.

Decks: Shall be 12 gauge punched steel with a PVC coating. Intermediate supports are fabricated from 1/8" x 2-1/2" hot rolled steel.

Ladder: Shall be made from 12 gauge punched steel with PVC coating.

Barrier & Entry Enclosures: Shall be fabricated from 1-5/16" O.D., 14 gauge (.083 wall), galvanized steel tubing. Mounting tabs shall be 1/8" hot rolled steel.

Slide: Slide and slide hood shall be low density polyethylene.

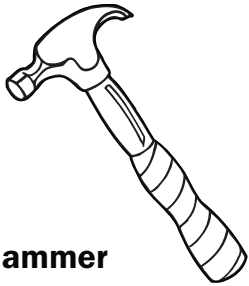
Hardware: Primary hardware is stainless steel.

Weight: 450 lbs.

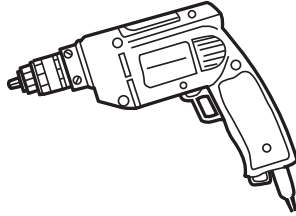
MAINTENANCE PROCEDURE

Periodically check for tightness and tighten as necessary. Always check all metal parts for corrosion, paint peeling and touch up if necessary. Check for cracks, breakage or wear and immediately put equipment out of service until any faulty parts found are repaired or replaced. Check all decks for plastisol coating peeling and touch up with plastisol if necessary. Check for obstructed holes on deck, clean if necessary. Check periodically resilient surfacing for appropriate depth and remove extraneous materials that could cause injury, infection or disease. Maintain detailed installation, inspection, maintenance and repair records for public-use playground equipment.

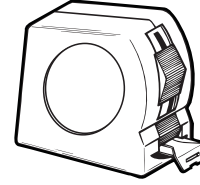
TOOLS REQUIRED



Hammer



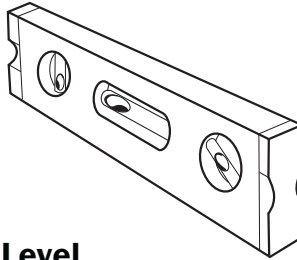
Drill



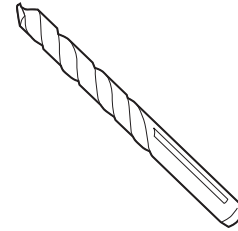
Tape Measure



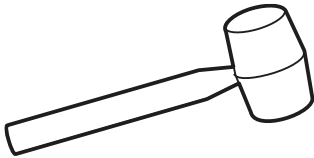
Utility Knife



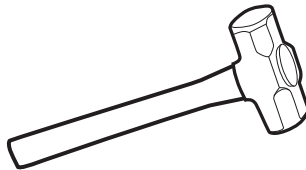
Level



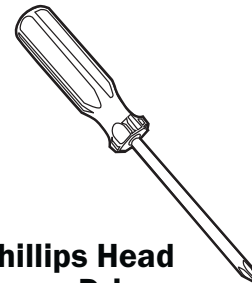
1/4" Drill Bit



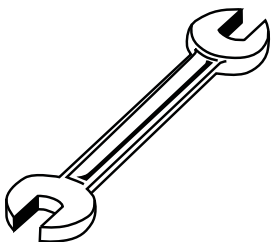
Rubber Mallet



4 lb. Hammer



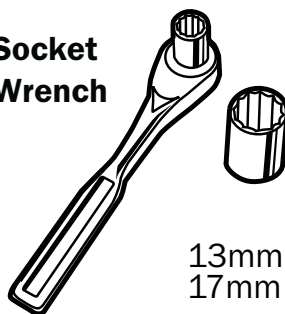
**Phillips Head
Screw Driver**



Wrench

13mm
17mm

**Socket
Wrench**



13mm
17mm

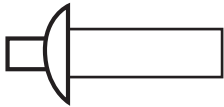
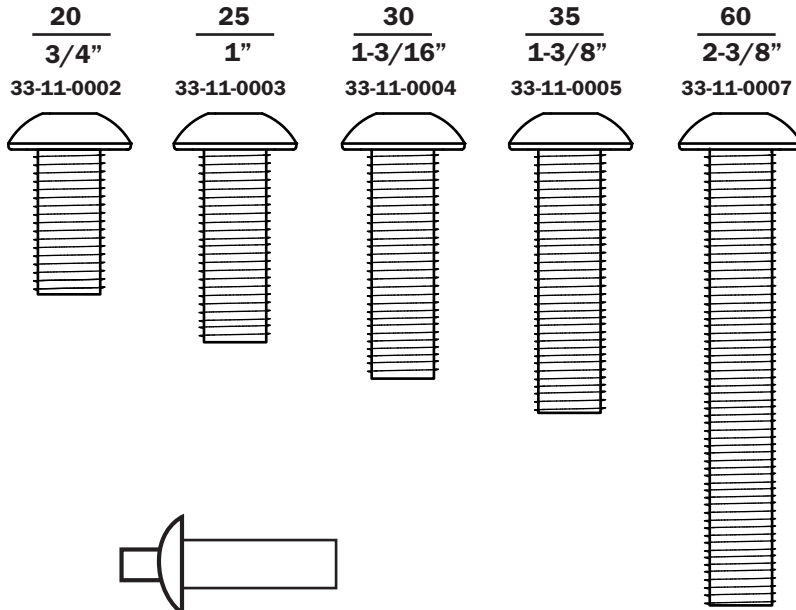


8 mm
10 mm

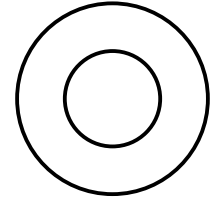
**Torx Head
Wrenches/Bits (included)**

HARDWARE REFERENCE (Actual Size)

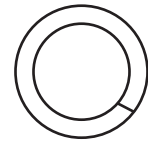
M10 B.H.C.S. Bolts



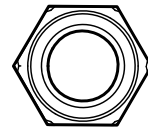
Clamp Rivet (33-11-0700)



M10 Flat Washer
(33-11-0200)

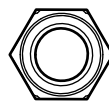
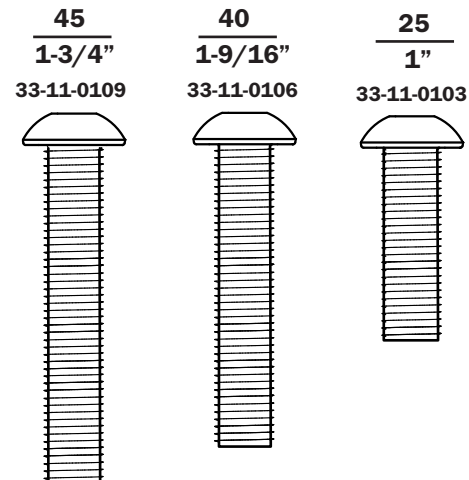


M10 Lock Washer
(33-11-0201)



M10 Lock Nut
(33-11-0400)

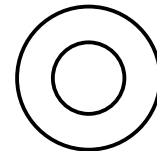
M8 B.H.C.S. Bolts



M8 Lock Nut
(33-11-0500)



M8 Lock Washer
(33-11-0301)



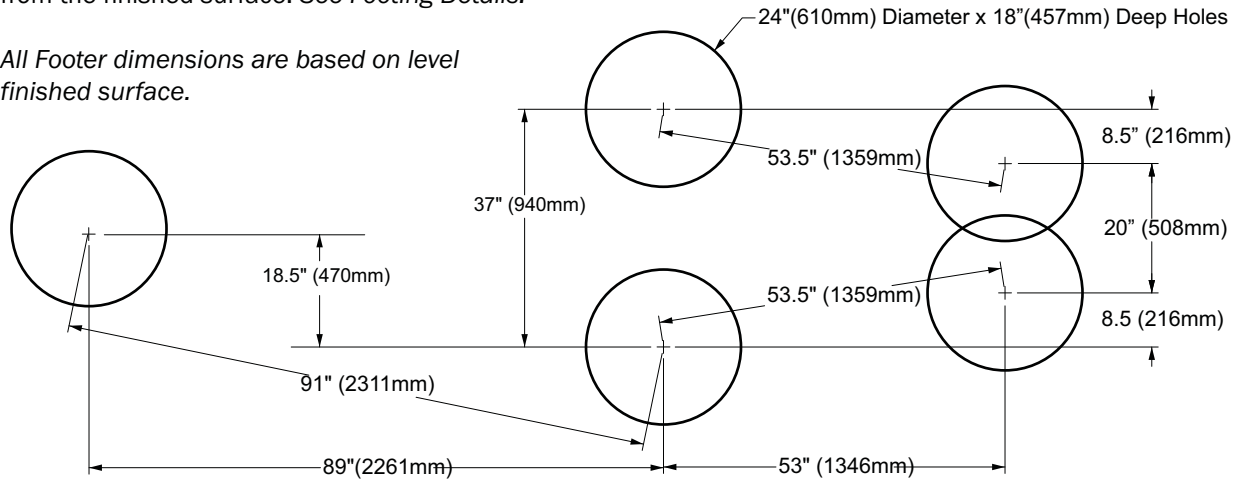
M8 Flat Washer
(33-11-0300)

GROUND PLAN

NOTE:

Hole depths indicated on all ground plans are measured from the finished surface. See *Footing Details*.

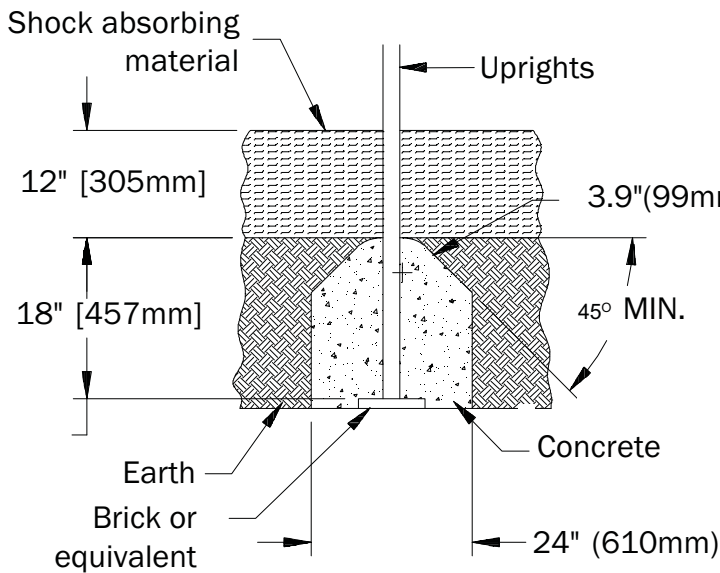
All Footer dimensions are based on level finished surface.



Concrete Required : Approx. 1 Cubic Yard(.7 Cubic Meters)

FOOTING DETAIL

NOTE: Suggested minimum concrete rating: 3000 PSI



NOTE: Sloped footing is a requirement of European Standard EN1176-1

NOTE:

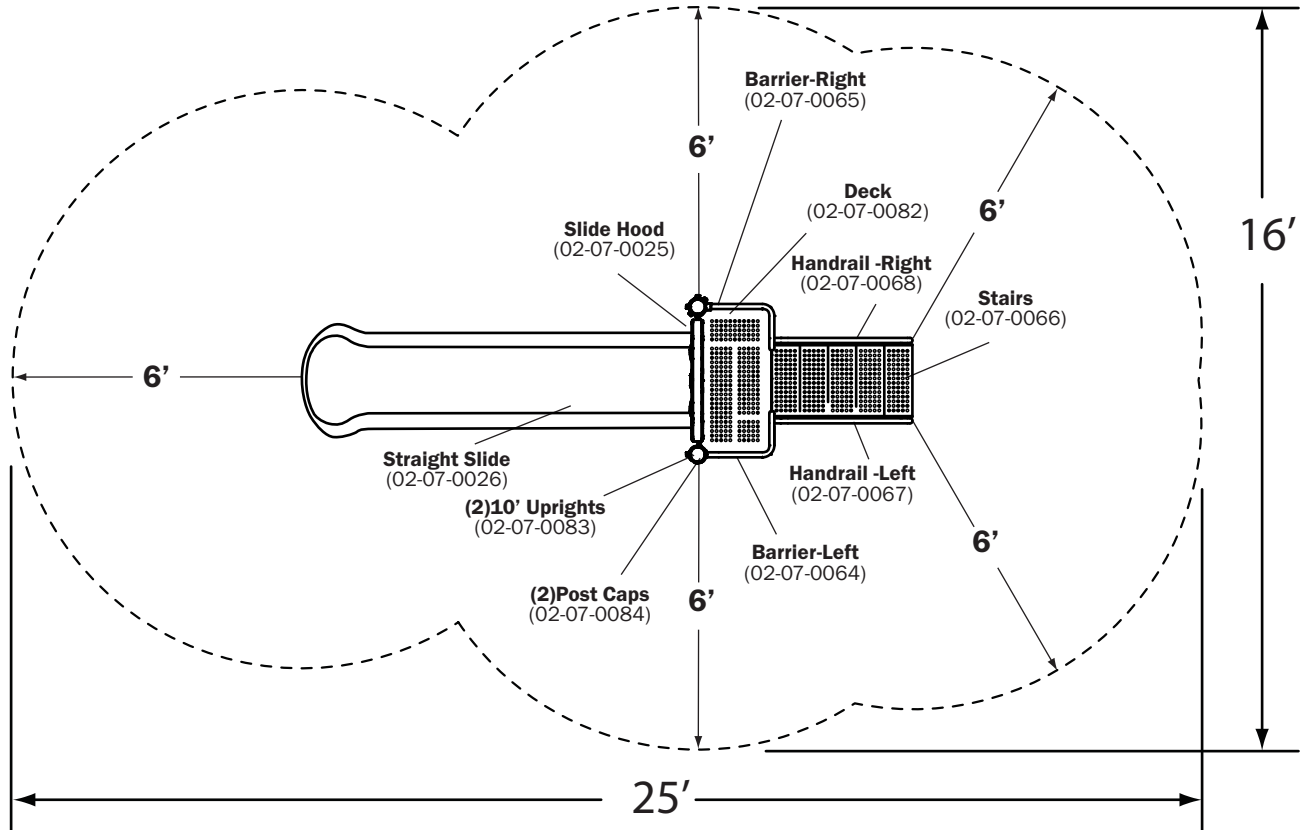
Read all installation instructions thoroughly before starting.

Instructions:

1. Dig holes according to the Ground Plan above.
2. Place Free-standing Slide into holes making sure posts rest on brick. See *Footing Detail*.
3. Level Free-standing Slide.
4. Pour concrete according to Footing Detail. Allow 48 hours minimum for concrete to harden before removing temporary braces.

USE ZONE

TOP VIEW

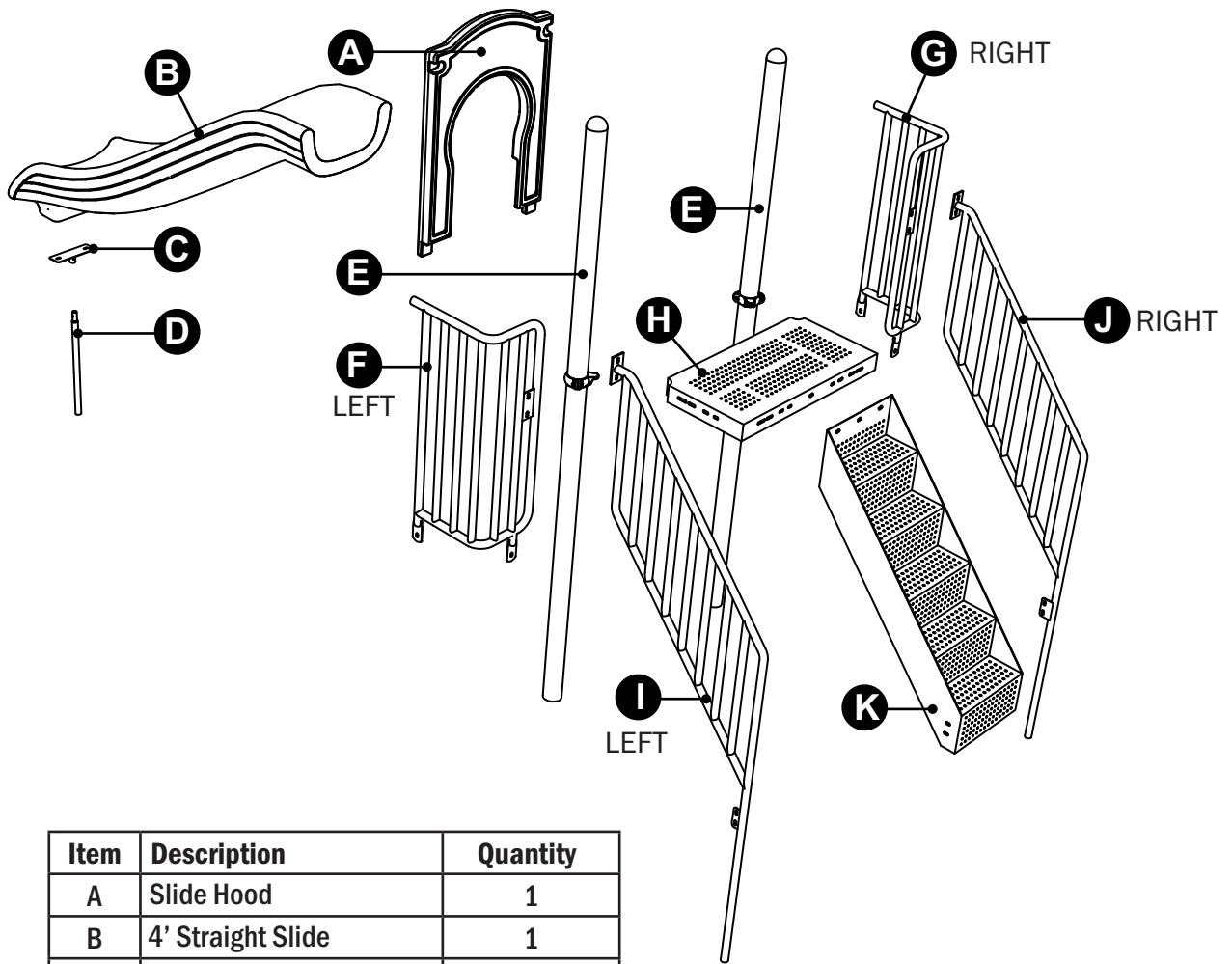


MINIMUM USE ZONE REQUIRED

NOTE: Equipment shall be placed to eliminate conflicting traffic patterns.
As a general rule, allow at least 6' of free space around the entire structure.

IMPORTANT: Never install play equipment over hard, unresilient surfaces such as asphalt, concrete or compacted earth. It is the owner's responsibility to ensure the "minimum area required" contains an appropriate amount of resilient material to cushion accidental falls.

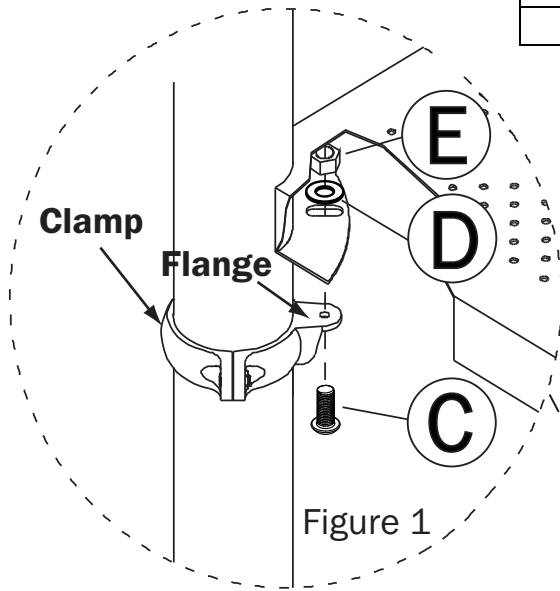
COMPONENTS



Item	Description	Quantity
A	Slide Hood	1
B	4' Straight Slide	1
C	Slide Mounting Bracket	1
D	Slide Support Post	1
E	10' Uprights	2
F	Barrier - Left	1
G	Barrier - Right	1
H	Deck	1
I	Handrails - Left	1
J	Handrails - Right	1
K	Stairs	1

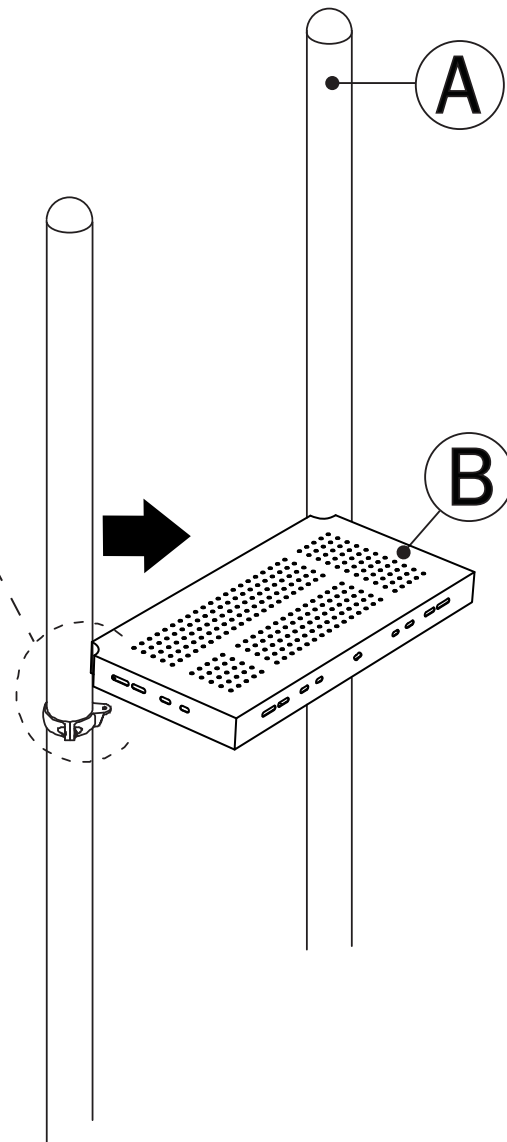
STEP 1 - CONNECT DECK TO UPRIGHTS

Parts List			
Letter	Description	Quantity	Part Number
A	Uprights	2	02-07-0083
B	Deck	1	02-07-0082
	Hardware Complete	1	33-12-0060
C	M10 x 30 BHCS Bolt	2	33-11-0004
D	M10 Flat Washer	2	33-11-0200
E	M10 Lock Nut	2	33-11-0400



! Deck coating may prevent insertion of hardware. Trim out slots with utility knife if necessary.

1. Lay (2) Uprights(A) on ground with clamp flange pointing up.
2. Position Deck(B) onto clamp flange of (2) Uprights(A).
3. Align hole in clamp flange with slot on underside of Deck(A). See *Figure 1*.
4. From underside of Clamp, insert Bolt(C) into hole in Clamp and through slot in Deck(B). Push Upright(A) tightly against Deck(B) and secure with Flat Washer(D) and Lock Nut(E).
5. Repeat Steps 3 and 4 for remaining Upright(A). Tighten all hardware.



STEP 2 - CONNECT BARRIERS TO UPRIGHTS AND DECK

Parts List			
Letter	Description	Quantity	Part Number
A	Tube Clamp	2	02-07-0039
B	Barrier - Left	1	02-07-0064
C	Barrier - Right	1	02-07-0065
	Hardware Complete	1	33-12-0061
D	M8 x 25 BHCS Bolt	6	33-11-0103
E	M8 Lock Washer	2	33-11-0301
F	M8 Lock Nut	4	33-11-0500
G	M10 x 25 BHCS Bolt	2	33-11-0003
H	M10 Flat Washer	2	33-11-0200
I	M10 Lock Nut	2	33-11-0400

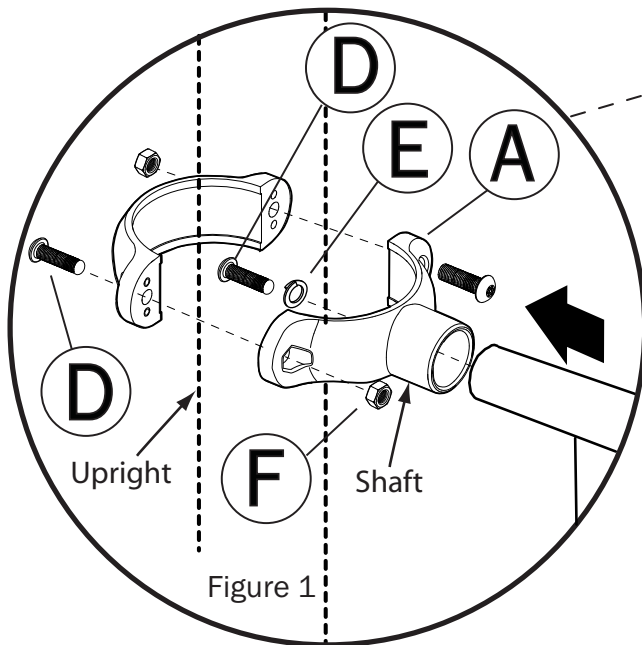


Figure 1

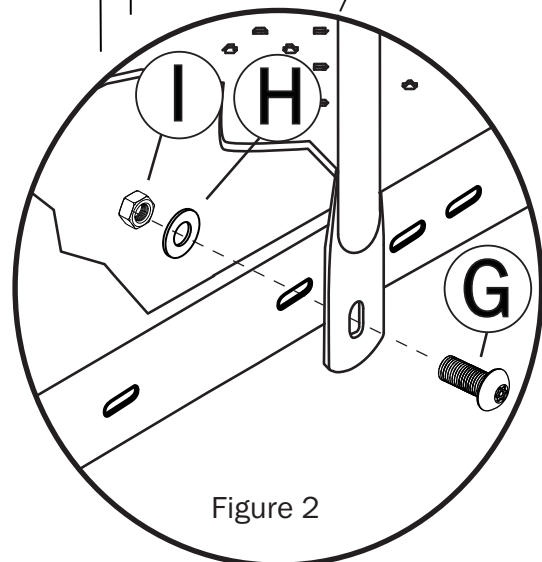
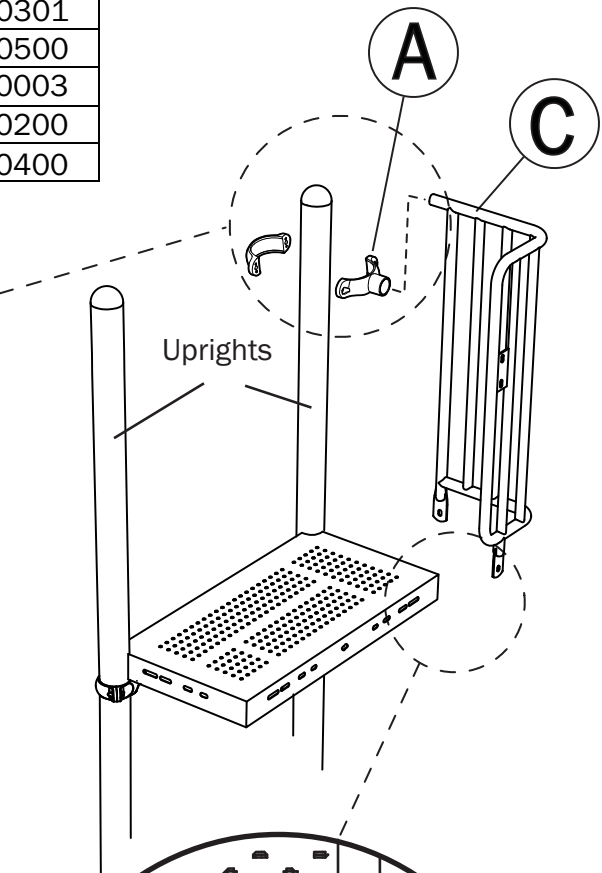


Figure 2

1. Working on ground, insert shaft of Tube Clamp(A) onto tube of Barrier-Right(C) and tighten securely with Bolt(D) and Lock Washer(E). See *Figure 1*.
2. Place Tube Clamp(A) against Upright. Insert (2)Bolts(D) into Clamp(A) and secure with (2)Lock Nuts(F). See *Figure 1*.
3. Insert (2)Bolts(G) through bottom slots in Barrier-Right(C), through slots in Deck and secure with (2)Flat Washers(H) and (2)Lock Nuts(I). See *Figure 2*.
4. Repeat Steps 1-3 for Barrier-Left(B).

STEP 3 - ATTACH HANDRAILS TO BARRIERS

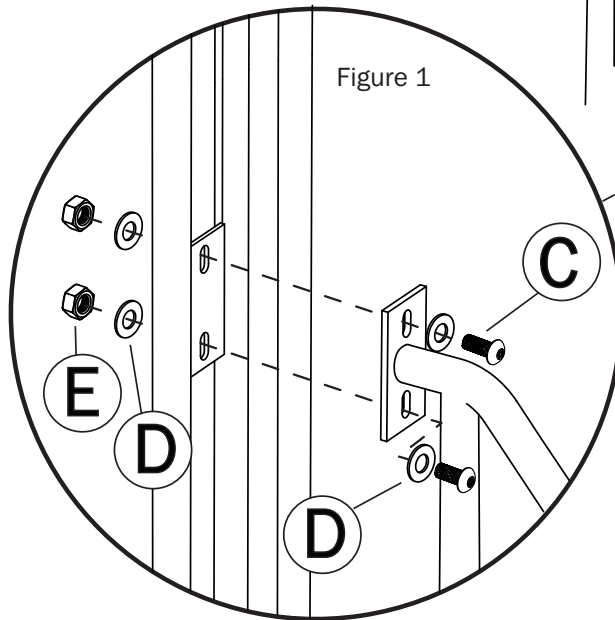
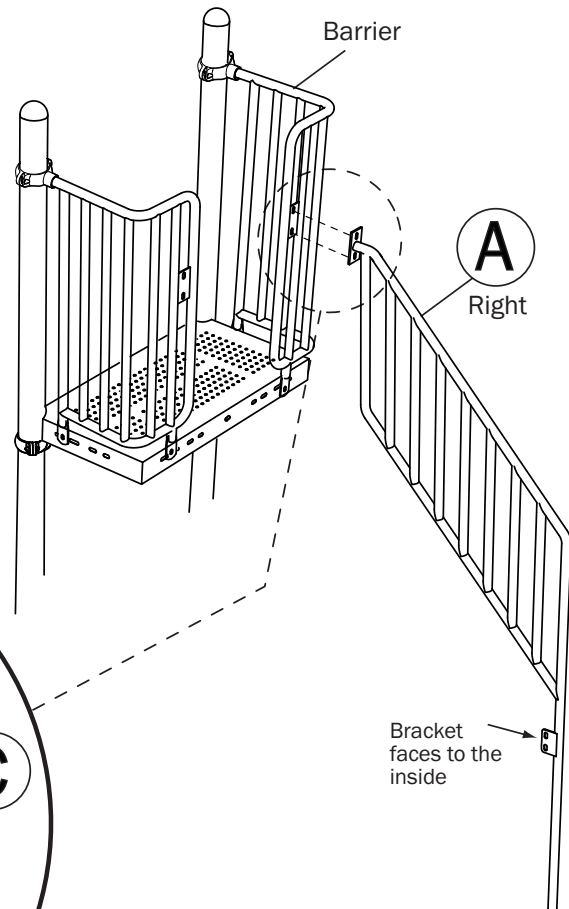
Parts List			
Letter	Description	Quantity	Part Number
A	Handrail -Right	1	02-07-0068
B	Handrail -Left	1	02-07-0067
	Hardware Complete	1	33-12-0062
C	M10 x 25 BHCS Bolt	4	33-11-0003
D	M10 Flat Washer	8	33-11-0200
E	M10 Lock Nut	4	33-11-0400

1. Align slots in Handrail-Right(A) with slots of Barrier. See Figure 1.

 **Bracket faces to the inside**

2. Insert Bolt(C) and Flat Washer(D) into slots in Handrail(A) and into slots in Barrier and secure with Flat Washer(D) and Lock Nut(E). See Figure 1.

3. Repeat Steps 1 and 2 for Handrail-Left(B).



STEP 4 - CONNECT STAIRS TO DECK

Parts List			
Letter	Description	Quantity	Part Number
A	Stairs	1	02-07-0066
	Hardware Complete	1	33-12-0003
B	M10 x 25 BHCS Bolt	3	33-11-0003
C	M10 Flat Washer	6	33-11-0200
D	M10 Lock Nut	3	33-11-0400

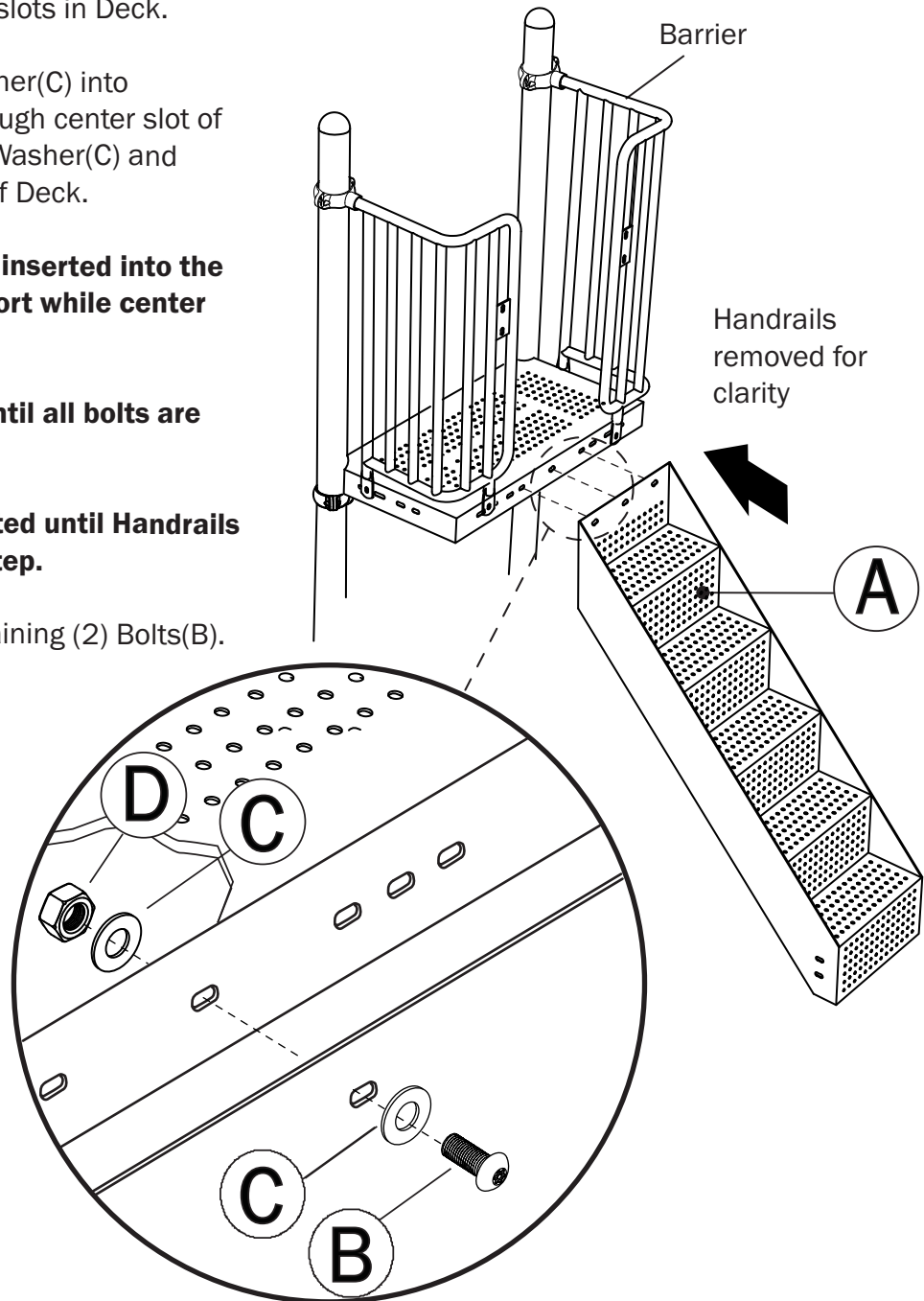
1. Align slots in Stairs(A) with slots in Deck.
2. Insert Bolt(B) and Flat Washer(C) into center slot of Stairs(A), through center slot of Deck and secure with Flat Washer(C) and Lock Nut(D) on underside of Deck.

NOTE: Screw drivers may be inserted into the outside slots for support while center Bolt(B) is secured.

 Lightly tighten bolts until all bolts are installed.

 Stairs must be supported until Handrails are attached in next step.

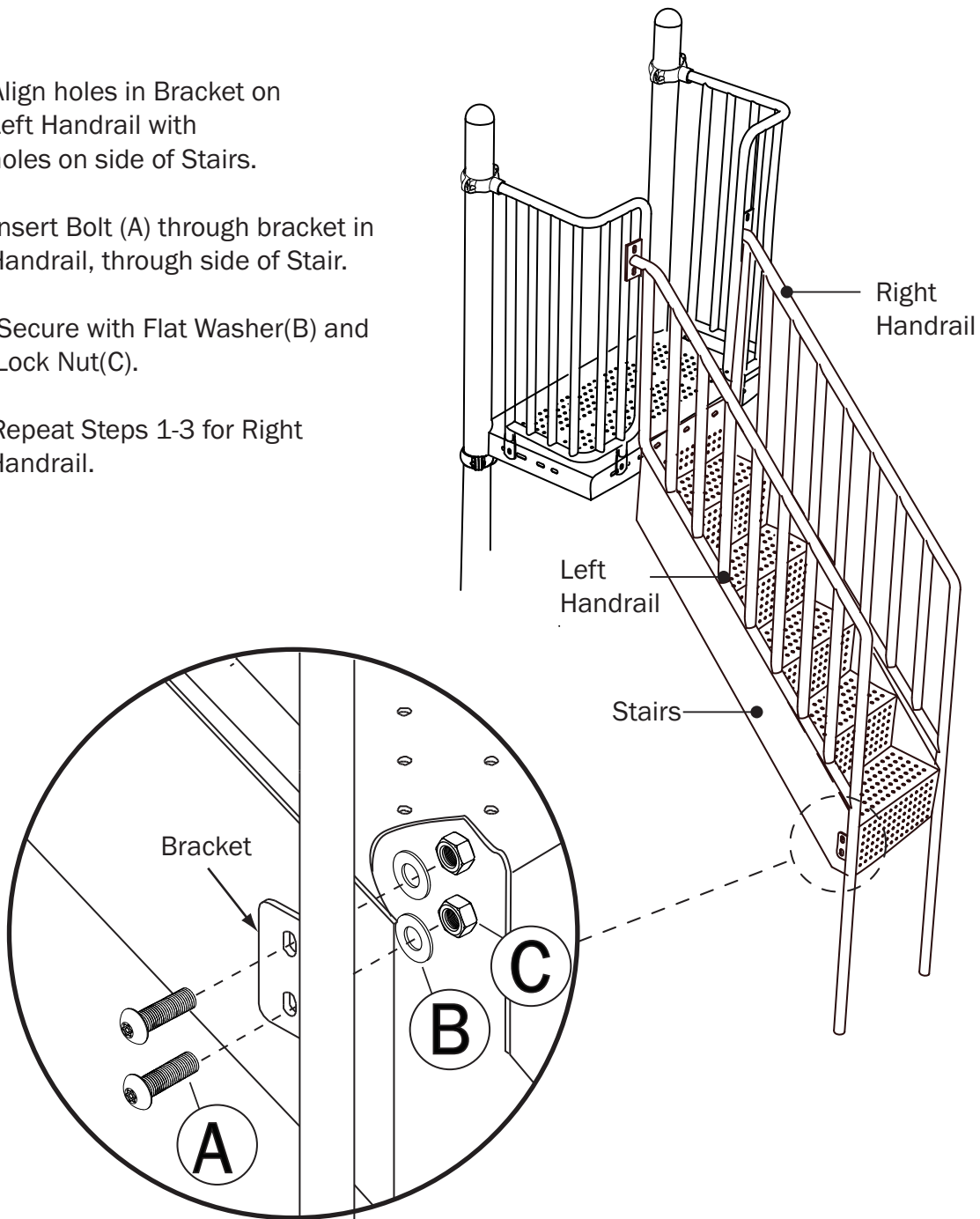
4. Repeat step 2 and for remaining (2) Bolts(B).
5. Tighten all Hardware.



STEP 5 - CONNECT HANDRAIL TO STAIRS

Parts List			
Letter	Description	Quantity	Part Number
	Hardware Complete	1	33-12-0062
A	M10 x 25 BHCS Bolt	4	33-11-0003
B	M10 Flat Washer	4	33-11-0200
C	M10 Lock Nut	4	33-11-0400

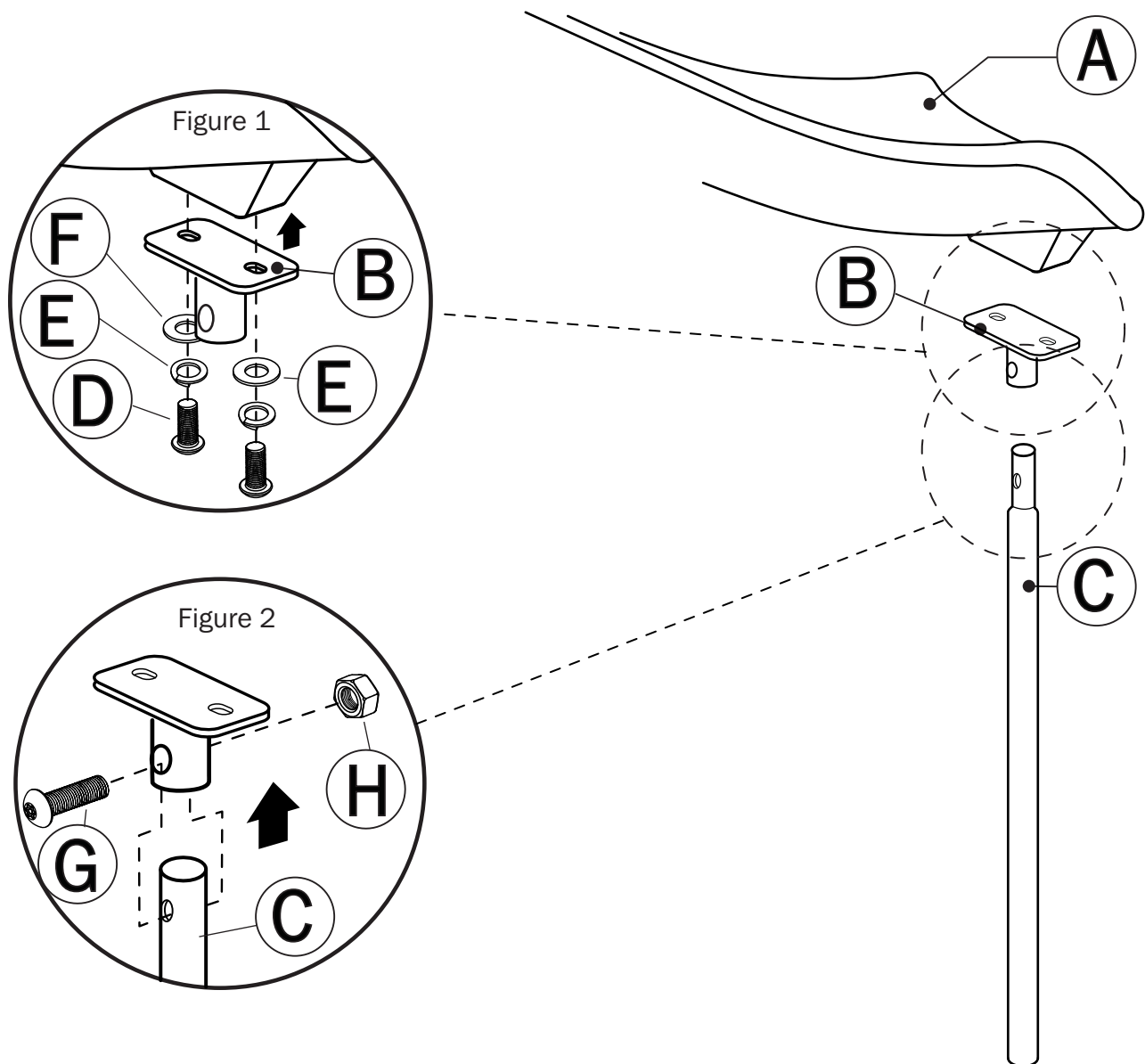
1. Align holes in Bracket on Left Handrail with holes on side of Stairs.
2. Insert Bolt (A) through bracket in Handrail, through side of Stair.
3. Secure with Flat Washer(B) and Lock Nut(C).
4. Repeat Steps 1-3 for Right Handrail.



STEP 6 - ATTACH FOOTER TO 4FT STRAIGHT SLIDE

1. Insert Bolts(D), Lock Washers(E) and Flat Washers(F) into slot in Mounting Bracket(B) into holes in underside of Slide(A) and tighten. See *Figure 1*.
2. Insert Support Post(C) into Mounting Bracket(B). Insert Bolt(G) through larger hole in Mounting Bracket(B), through Support Post(C) and secure with Lock Nut (H). See *Figure 2*.

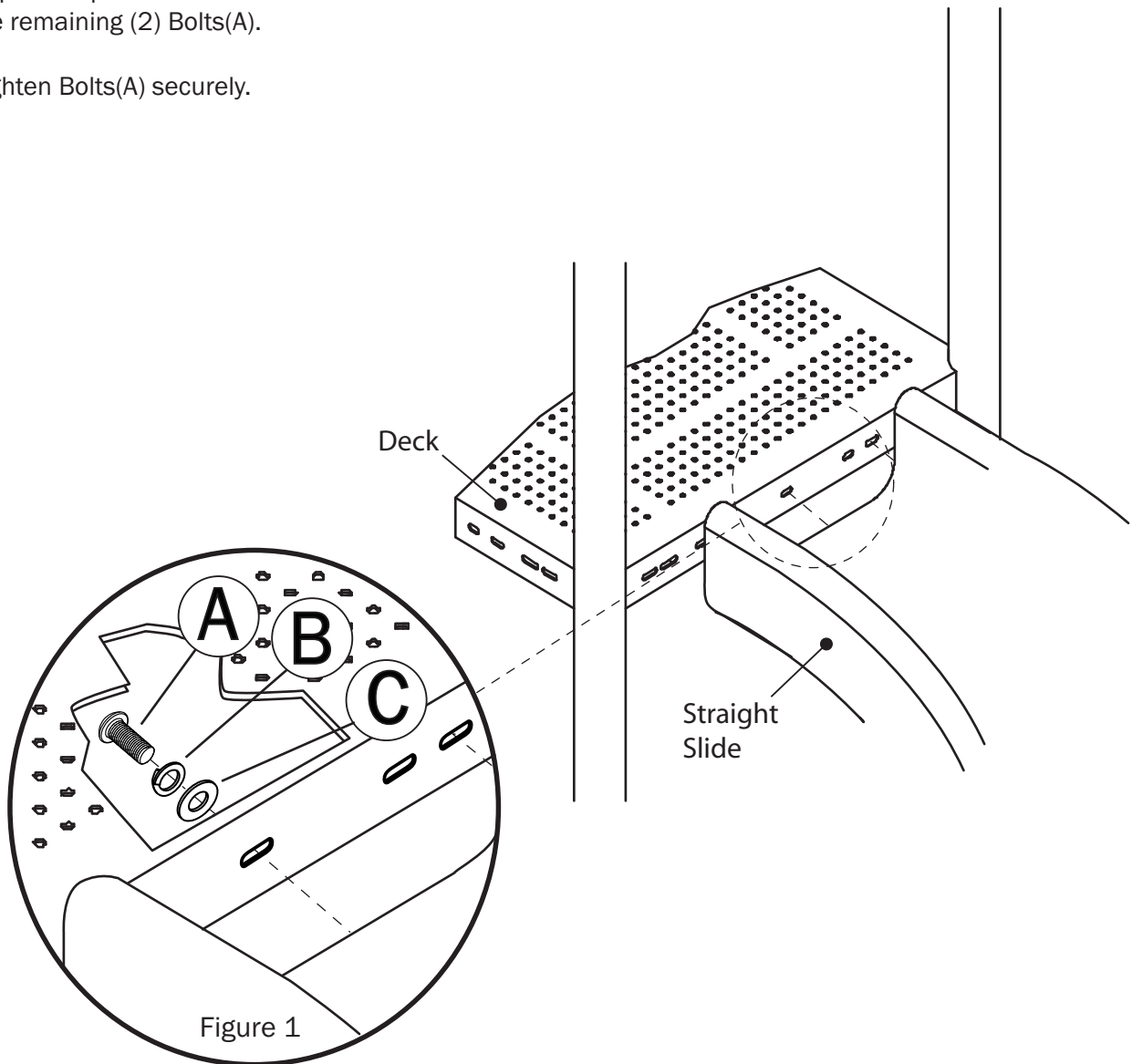
Parts List			
Letter	Description	Quantity	Part Number
A	Straight Slide	1	02-07-0026
B	Mounting Bracket	1	02-07-0045
C	Support Post	1	02-07-0069
	Hardware Complete	1	33-12-0063
D	M10 x 25 BHCS Bolt	2	33-11-0003
E	M10 Lock Washer	2	33-11-0201
F	M10 Flat Washer	2	33-11-0200
G	M10 x 35 BHCS Bolt	1	33-11-0005
H	M10 Lock Nut	1	33-11-0400



STEP 7 - ATTACH 4FT STRAIGHT SLIDE TO DECK

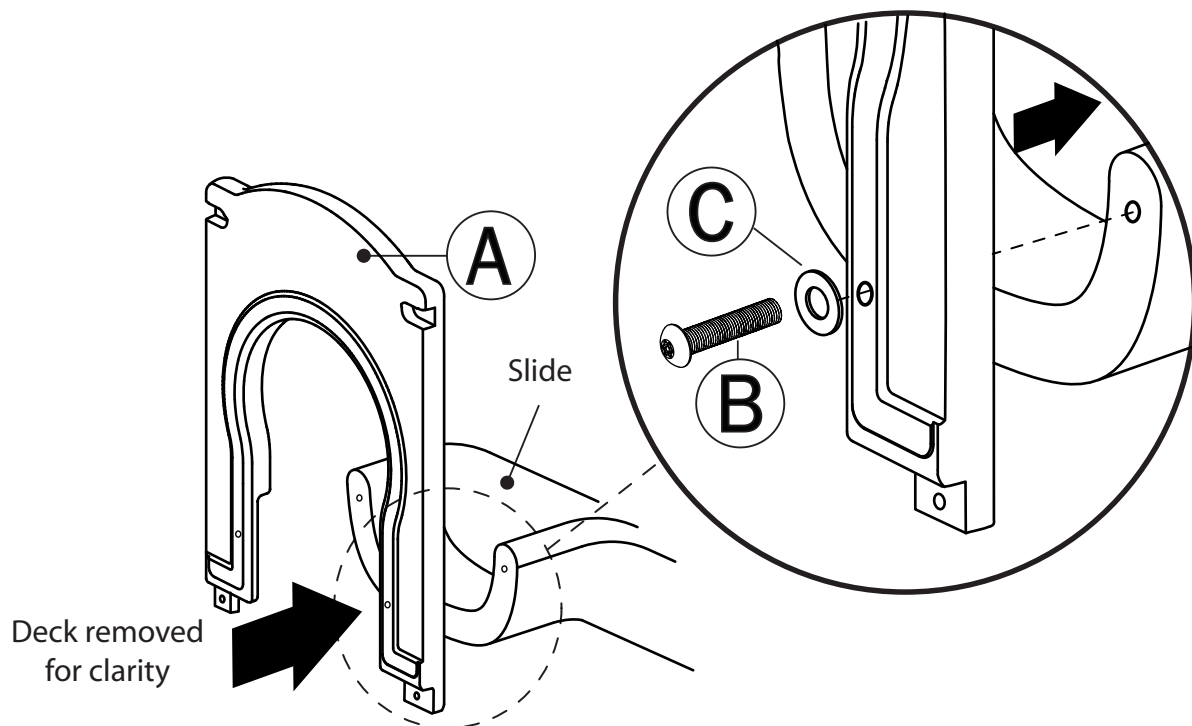
1. Align slots in Deck with (3) lower holes on back of Straight Slide.
2. From underside of Deck, insert Bolt(A), Lock Washer(B) and Flat Washer(C) into center slot in Deck and lightly tighten. See *Figure 1*.
3. Repeat steps 1 and 2 for the remaining (2) Bolts(A).
4. Tighten Bolts(A) securely.

Parts List			
Letter	Description	Quantity	Part Number
	Hardware Complete	1	33-12-0039
A	M10 x 20 BHCS Bolt	3	33-11-0002
B	M10 Lock Washer	3	33-11-0201
C	M10 Flat Washer	3	33-11-0200



STEP 8 - ATTACH SLIDE HOOD TO 4FT STRAIGHT SLIDE

Parts List			
Letter	Description	Quantity	Part Number
A	Slide Hood	1	02-07-0025
	Hardware Complete	1	33-12-0041
B	M10 x 60 BHCS Bolt	2	33-11-0007
C	M10 Flat Washer	2	33-11-0200



1. Align holes in Slide Hood(A) with (2) upper holes in back of Straight Slide.
2. Insert Bolt(B) and Flat Washer(C) into hole in Slide Hood(A) and lightly tighten to Straight Slide.
3. Repeat steps 1 and 2 for other side.
4. Tighten Bolts(B) securely.

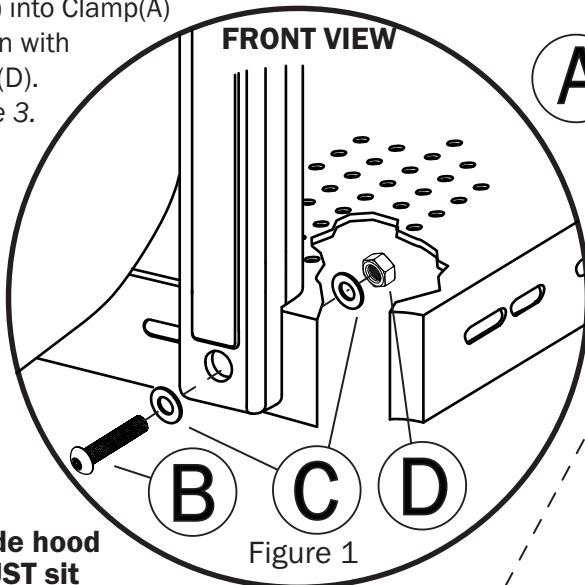
STEP 9 - ATTACH SLIDE HOOD TO DECK AND UPRIGHTS

1. From front side of Slide Hood, insert Bolt(B) and Flat Washer(C) into Slide Hood, through deck and secure with Flat Washer(C) and Lock Nut(D). See Figure 1.

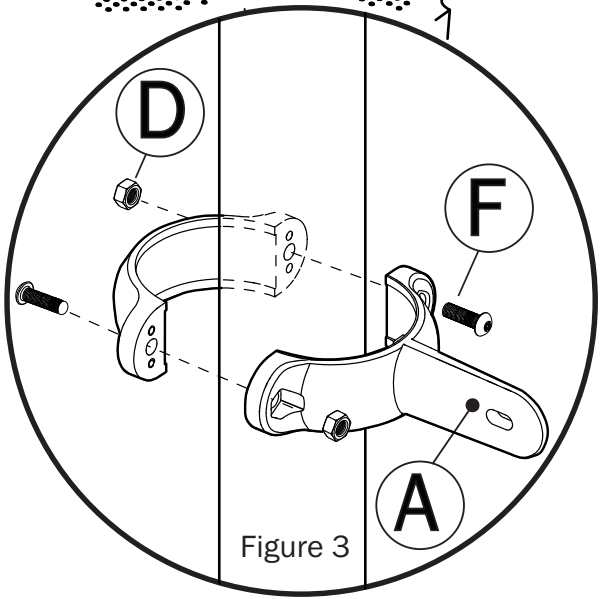
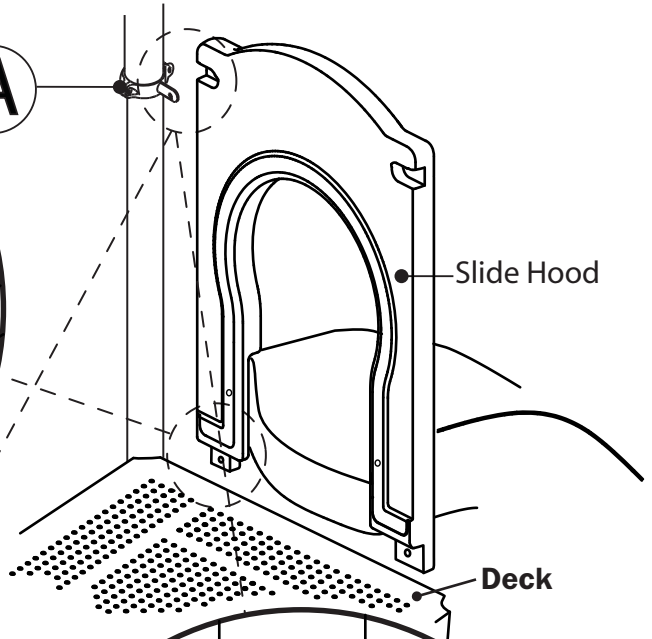
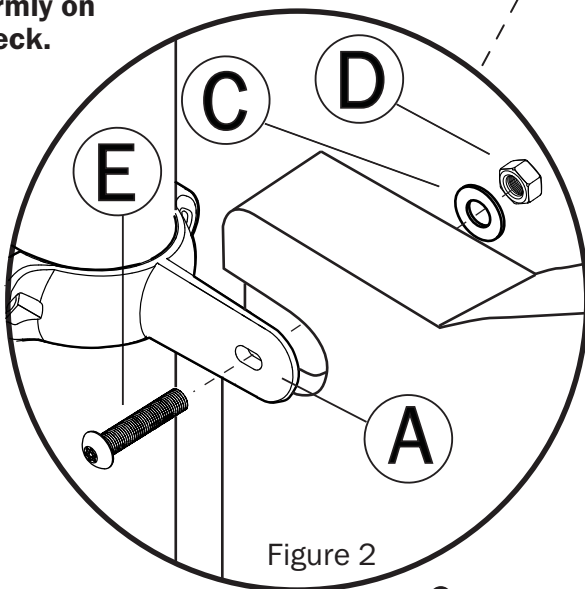
2. From back side of Slide Hood, place flat side of Panel Clamp(A) against Slide Hood. Insert Bolt(E) into slot of Panel Clamp(A), through hole in Slide Hood and secure with Flat Washer(C) and Lock Nut(D). Repeat for other side. See Figure 2.

3. Close Panel Clamp(A) around upright. Insert (2)Bolts(F) into Clamp(A) and tighten with Lock Nuts(D). See Figure 3.

Parts List			
Letter	Description	Quantity	Part Number
A	Panel Clamp	2	02-07-0040
	Hardware Complete	1	33-12-0041
B	M8 x 40 BHCS Bolt	2	33-11-0106
C	M8 Flat Washer	6	33-11-0300
D	M8 Lock Nut	8	33-11-0500
E	M8 x 45 BHCS Bolt	2	33-11-0109
F	M8 x 25 BHCS Bolt	4	33-11-0103



! Slide hood **MUST** sit firmly on deck.



! Bolt(E) **MUST** be cut off if more than (2) threads extend beyond Nut(D) when tightened.

STEP 10 - INSTALL CLAMP RIVETS

IMPORTANT:

Once assembly is complete, plumb and level structure and tighten all fasteners securely.

Install Clamp Rivets(C) in all clamps to ensure clamps cannot move out of proper position.

Parts List			
Letter	Description	Quantity	Part Number
A	Uprights		02-07-0001(02)
B	Clamps		All
C	Clamp Rivets		33-11-0700

1. Drill 1/4" (7mm) hole into Uprights(A) through pre-drilled hole in Clamps(B). See Figure 1.

2. Insert Clamp Rivets(C) into drilled hole and tap into place with hammer. See Figure 2.

