

# Bourdon Tube Pressure Gauge Type 111.10SP Sprinkler Gauge Standard Series

WIKA Datasheet 111.10SP

## Applications

- Fire sprinkler systems
- Suitable for all media that will not obstruct the pressure system or attack copper alloy parts

## Special features

- UL-listed (UL-393), United States and Canada
- Factory Mutual (FM) approved
- Reliable and economical

## Standard Features

### Design

EN 837-1 & ASME B40.100

### Sizes

4" (100 mm)

### Accuracy class

± 3/2/3% of span (ASME B40.100 Grade B)

### Ranges

0/80 psi, retard to 250 psi (air)

0/300 psi (water)

### Working pressure

Steady: 3/4 of full scale value

Fluctuating: 2/3 of full scale value

Short time: full scale value

### Operating temperature

Ambient: -40°F to 140°F (-40°C to 60°C)

Media: 140°F (+60°C) maximum

### Temperature error

Additional error when temperature changes from reference temperature of 68°F (20°C) ±0.4% for every 18°F (10°C) rising or falling. Percentage of span.

### Bourdon tube

Material: copper alloy

C-type



Bourdon Tube Pressure Gauge Type 111.10SP

### Pressure connection

Material: copper alloy  
1/4" NPT lower mount (LM)

### Movement

Copper alloy

### Dial

White aluminum with stop pin; black and red lettering

### Pointer

Black aluminum

### Case

Black polycarbonate

### Window

Snap-in clear polycarbonate

### Approvals

UL listed (UL-393)

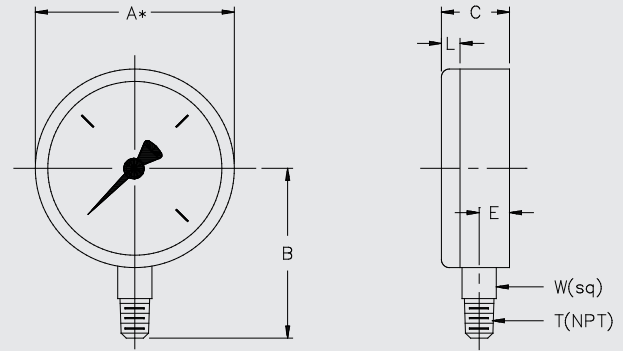
Factory Mutual

## Optional Extras

(not all options are UL or FM approved)

- Brass restrictor
- Friction-fit cover ring (requires steel case)
- Glass window (requires steel case & friction ring)
- Black-painted steel case
- Stainless steel case
- Special case colors
- Nickel-plated connection
- Custom dial layout
- Special threaded connection
- Custom dial layout
- Other pressure scales available:  
bar, kPa, MPa, kg/cm<sup>2</sup> and dual scales

## Dimensions



Size		A	B	C	E	L	T	W	Weight
4"	mm	100	83.5	30	11.5	3.75		14	
	in	4.0	3.29	1.18	0.45	0.15	1/4"	0.55	0.35 lb.

### Ordering information

Pressure gauge model / Nominal size / Scale range / Size of connection / Optional extras required  
 Specifications and dimensions given in this leaflet represent the state of engineering at the time of printing.  
 Modifications may take place and materials specified may be replaced by others without prior notice.



**WIKAI Instrument Corporation**  
 1000 Wiegand Boulevard  
 Lawrenceville, GA 30045  
 Tel (770) 513-8200 Toll-free 1-888-WIKA-USA  
 Fax (770) 338-5118  
 E-Mail info@wika.com  
 www.wika.com