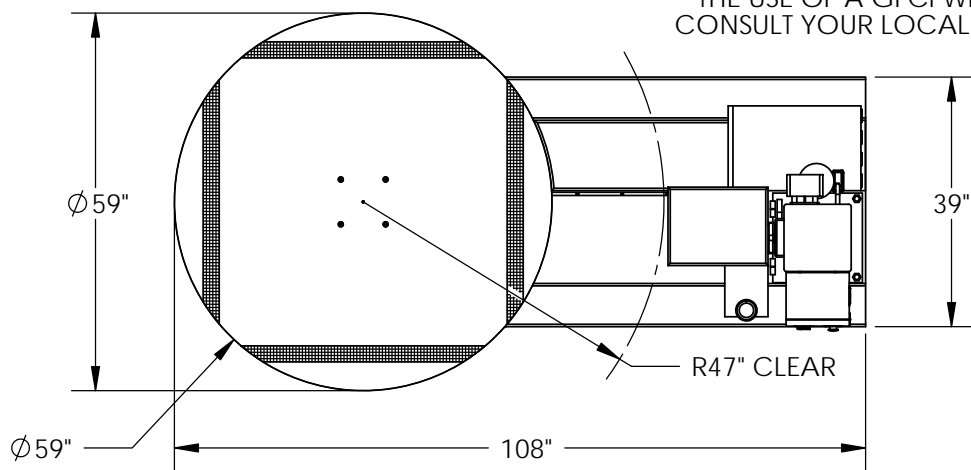


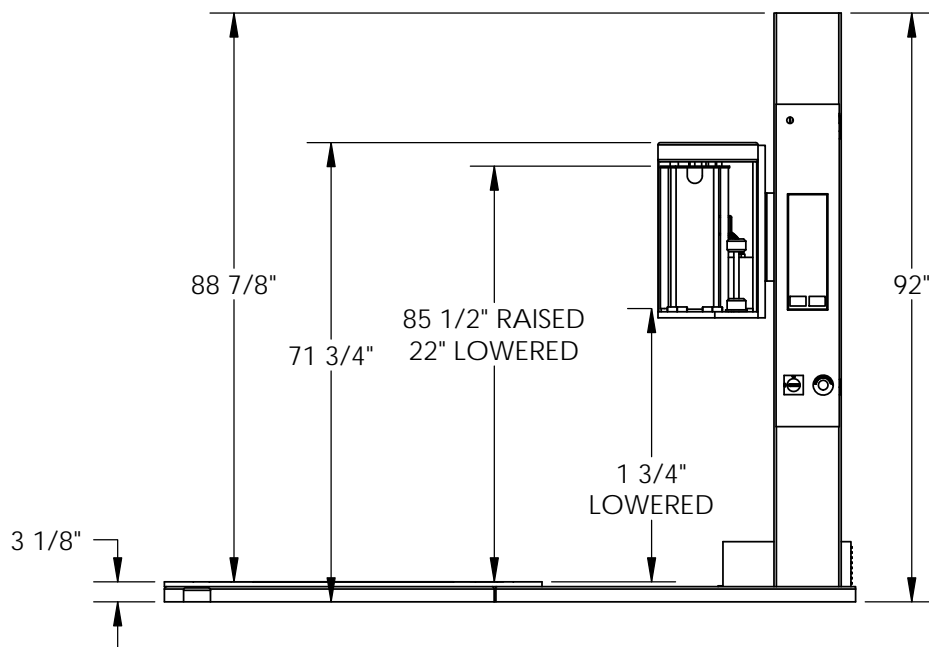
MEDIUM DUTY HIGH PERFORMANCE AUTO-WRAP STRETCH WRAP MACHINE - SWA-60-AW

ANY ADDITIONS, DELETIONS, OR OMISSIONS MUST BE CORRECTED ON THIS DRAWING AS THIS DRAWING WILL BE CONSIDERED ALL INCLUSIVE

**THE USE OF A GFCI WILL REQUIRE THE USE OF A LINE-REACTOR
CONSULT YOUR LOCAL ELECTRICAL SUPPLIER FOR DETAILS**



CONTAINER/LOAD MUST
BE AT LEAST 20" HIGH



*115V SUPPLY VOLTAGE;
INCLUDES POWER CORD
WITH NEMA 5-15 PLUG
*10A AT FULL LOAD

FOR INTERNAL USE ONLY PROJECT SIGN OFF	
SALES	
ENG.	
FAB.	
POWER	

ALL GRAPHICS PROVIDED ARE FOR REFERENCE ONLY. IF CERTAIN DIMENSIONS
ARE CRITICAL PLEASE VERIFY THOSE DIMENSIONS WITH YOUR SALESPERSON

STANDARD FEATURES

MODEL NUMBER IS: SWA-60-AW
CAPACITY IS: 4,000 LBS.
OVERALL WIDTH IS: 59"
OVERALL LENGTH IS: 108"
OVERALL HEIGHT IS: 92"
59" DIAMETER TOP PLATE
VARIABLE SPEED CONTROL, 0-13 RPM
CAN HANDLE FILM ROLLS UP TO 20" LONG
WRAPS DOWN TO 3" ABOVE TURNTABLE
MAX. LOAD SIZE IS 41 11/16" SQUARE

APPROX. SHIP WEIGHT: 1512 lbs

SPECIAL FEATURES

NONE

APPROVAL

I, THE UNDERSIGNED, AGREE THAT THE PRODUCT AS
REPRESENTED SATISFIES DESIGN AND DIMENSION
REQUIREMENTS. I ALSO ACKNOWLEDGE MY DUTY TO
CONFIRM PRODUCT AND INSTALLATION
COMPLIANCE WITH ALL APPLICABLE FEDERAL, STATE
AND LOCAL REGULATIONS AND STANDARDS.
ALL SPECIAL UNITS ARE NON-RETURNABLE
[] As drawn [] As marked

Signed: _____ Date: _____

LEAD TIME WILL START UPON RECEIPT
OF SIGNED APPROVAL DRAWING

DISTRIBUTOR'S NAME:		P.O.#
VESTIL MANUFACTURING		X
DRAWN BY: SJA		W.O.#
DATE: 1/30/2015		X
REFERENCE: X	SCALE: 1:30	SALES: X
QUOTED LEAD TIME: X	QUOTE #	FILE NAME:
	X	20-007-104