

SEMI-AUTOMATIC STRETCH WRAP MACHINE - SWA-70

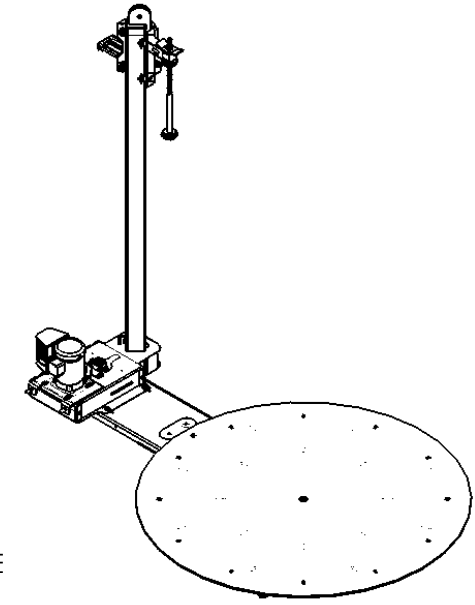
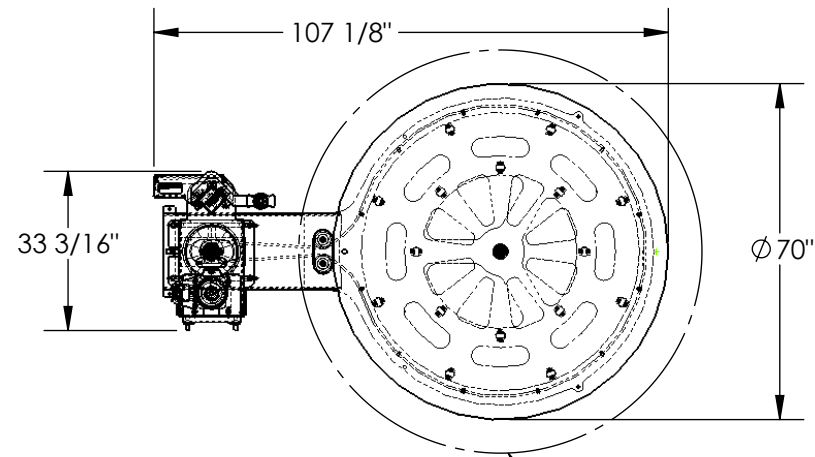
APPROX WEIGHT: 963.33 lbs.
 DOES NOT INCLUDE WEIGHT OF POWER OR PACKAGING!!!

*** ANY ADDITIONS, DELETIONS, OR OMISSIONS MUST BE CORRECTED ON THIS DRAWING AS THIS DRAWING WILL BE CONSIDERED ALL INCLUSIVE ***

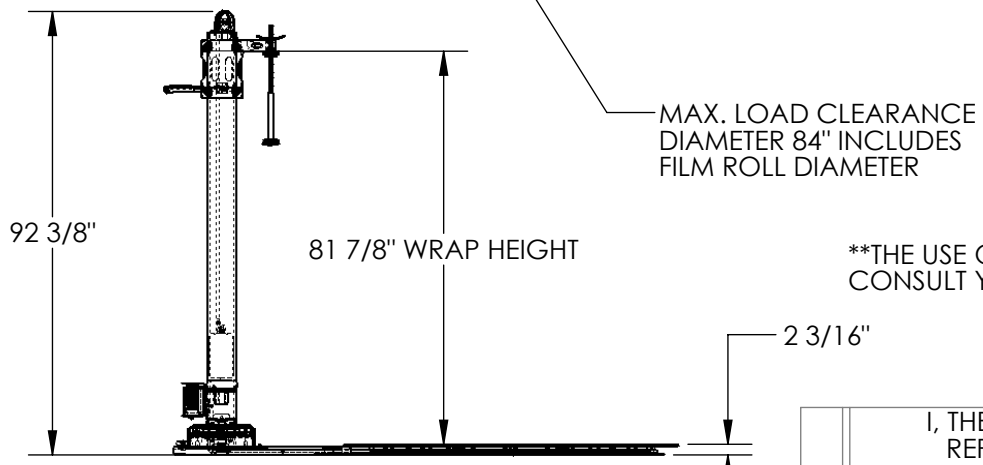
ALL GRAPHICS PROVIDED ARE FOR REFERENCE ONLY. IF CERTAIN DIMENSIONS ARE CRITICAL PLEASE VERIFY THOSE DIMENSIONS WITH YOUR SALESPERSON

FOR INTERNAL USE ONLY
 PROJECT SIGN OFF

SALES	
ENG.	
FAB.	
POWER	



3-D VIEW FOR REFERENCE



**THE USE OF A GFCI WILL REQUIRE THE USE OF A LINE-REACTOR
 CONSULT YOUR LOCAL ELECTRICAL SUPPLIER FOR DETAILS**

DIMENSION TOLERANCE ± 1/4"

STANDARD FEATURES

MODEL NUMBER IS SWA-70
 CAPACITY IS 4000 LBS.

TURN TABLE DIAMETER IS $\phi 70$ "
 OVERALL LENGTH IS 107 1/8"
 OVERALL HEIGHT IS 92 3/8"
 MAX WRAP HEIGHT IS 81 7/8" WRAP HEIGHT
 OVER 300° OF ACCESS

POWER INPUT IS 115 V 1-PHASE
 TURN TABLE DECK HEIGHT IS 2 3/16"
 BELT DRIVEN
 VARIABLE SPEED TURN TABLE (3 - 12 RPM)
 WITH SOFT START/STOP
 FOOT CONTROL FOR TURN TABLE ROTATION

POWER SPECIFICATIONS

AC POWER
 MOTOR VOLTAGE: 115V
 MOTOR PHASE: SINGLE
 CONTROL: FOOT

SPECIAL FEATURES

NONE

APPROVAL

I, THE UNDERSIGNED, AGREE THAT THE PRODUCT AS REPRESENTED SATISFIES DESIGN AND DIMENSION REQUIREMENTS. I ALSO ACKNOWLEDGE MY DUTY TO CONFIRM PRODUCT AND INSTALLATION COMPLIANCE WITH ALL APPLICABLE FEDERAL, STATE AND LOCAL REGULATIONS AND STANDARDS.

ANY MODIFIED UNITS ARE NON-RETURNABLE

[] As drawn [] As marked

Signed: _____ Date: _____

Printed Name: _____

LEAD TIME WILL START UPON RECEIPT OF SIGNED APPROVAL DRAWING

DISTRIBUTOR'S NAME:		P.O.#
VESTIL MANUFACTURING		X
DRAWN BY: SJA		DATE: 2/3/2015
REFERENCE: X		SCALE: 1:40
QUOTED LEAD TIME: X		QUOTE # X
		SALES: X
		FILE NAME: 20-007-118