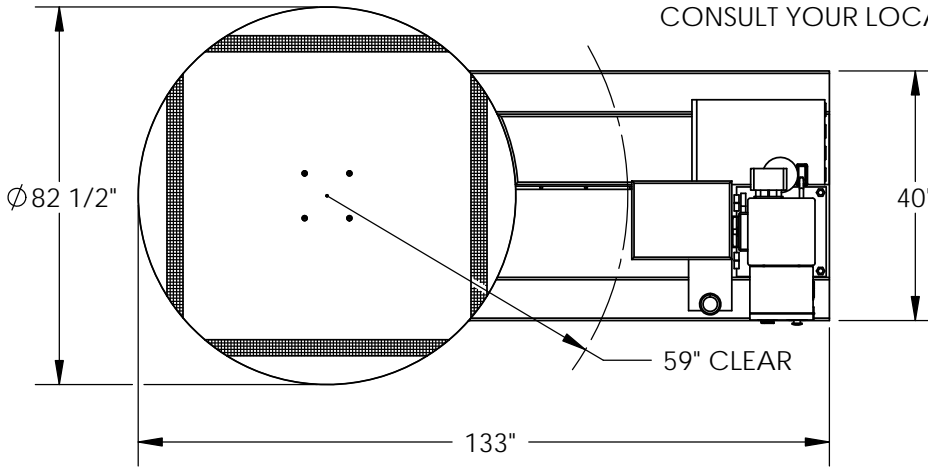


MEDIUM DUTY, HIGH PERFORMANCE SEMI-AUTOMATIC STRETCH WRAP MACHINE- SWA-82-AW

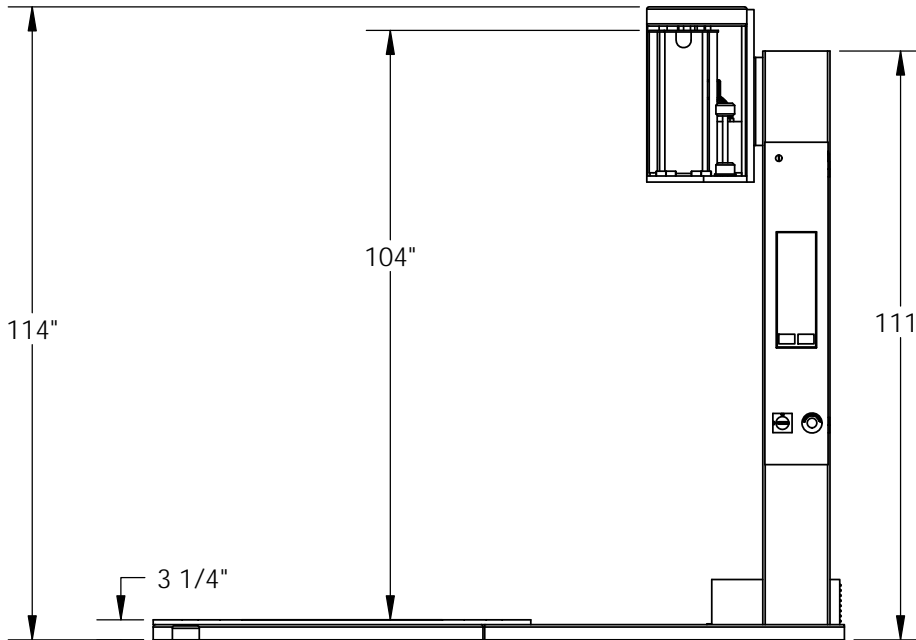
APPROX WEIGHT: 2186 lbs.
DOES NOT INCLUDE WEIGHT OF POWER OR PACKAGING!!!

ANY ADDITIONS, DELETIONS, OR OMISSIONS MUST BE CORRECTED ON THIS DRAWING AS THIS DRAWING WILL BE CONSIDERED ALL INCLUSIVE

**THE USE OF A GFCI WILL REQUIRE THE USE OF A LINE-REACTOR
CONSULT YOUR LOCAL ELECTRICAL SUPPLIER FOR DETAILS**



CONTAINER/LOAD MUST BE AT LEAST 20" HIGH



*115V SUPPLY VOLTAGE;
INCLUDES 12' LONG POWER CORD
WITH NEMA 5-15 PLUG
*10A AT FULL LOAD

FOR INTERNAL USE ONLY PROJECT SIGN OFF	
SALES	
ENG.	
FAB.	
POWER	

ALL GRAPHICS PROVIDED ARE FOR REFERENCE ONLY. IF CERTAIN DIMENSIONS ARE CRITICAL PLEASE VERIFY THOSE DIMENSIONS WITH YOUR SALESPERSON

DIMENSION TOLERANCE ± 1/4"

STANDARD FEATURES

MODEL NUMBER IS: SWA-82-AW
CAPACITY IS: 4,000 LBS.
OVERALL WIDTH IS: 82 1/2"
OVERALL LENGTH IS: 133"
OVERALL HEIGHT IS: 111"
82 1/2" DIAMETER TOP PLATE
VARIABLE SPEED CONTROL, 0-13 RPM
CAN HANDLE FILM ROLLS UP TO 20" LONG
WRAPS DOWN TO 3" ABOVE TURNTABLE
CRATE SIZE: 84" x 134" x 24" TALL

SPECIAL FEATURES

NONE

A P P R O V A L	I, THE UNDERSIGNED, AGREE THAT THE PRODUCT AS REPRESENTED SATISFIES DESIGN AND DIMENSION REQUIREMENTS. I ALSO ACKNOWLEDGE MY DUTY TO CONFIRM PRODUCT AND INSTALLATION COMPLIANCE WITH ALL APPLICABLE FEDERAL, STATE AND LOCAL REGULATIONS AND STANDARDS.	
	ALL SPECIAL UNITS ARE NON-RETURNABLE	
	[] As drawn [] As marked	
	Signed: _____	Date: _____
LEAD TIME WILL START UPON RECEIPT OF SIGNED APPROVAL DRAWING		

DISTRIBUTOR'S NAME:		P.O.#
VESTIL MANUFACTURING		X
		W.O.#
DRAWN BY: TJM		X
DATE: 11/08/10		SALES: X
REFERENCE: X	SCALE: NTS	FILE NAME:
QUOTED LEAD TIME: X	QUOTE # X	20-007-104-003