

Optional 3rd Wheel (Stainless Steel) (Part # 240211) Assembly Instructions and Parts Manual

ATTENTION: TO INSURE SAFE AND EASY USE OF YOUR WESCO DRUM TRUCK ACCESSORY, READ THESE INSTRUCTIONS BEFORE USING.

Description

The Optional 3rd Wheel Assembly is an add-on to the Wesco Knock Down Drum Truck units.

This product is distributed by:

Wesco Industrial Products, Inc
1250 Welsh Road
North Wales, PA 19454
Tel: 215-699-7031 Fax: 215-699-3836

Contact the factory for parts information and ordering.
Visit us on the web at www.wescomfg.com

Unpacking

When unpacking the Wesco Product, check carefully for shipping damage and missing parts. If damage has occurred or any parts are missing, file a claim with the delivering carrier within 24 hours and notify the dealer from whom the unit was purchased.

Warranty Repairs

If the unit does not work properly, contact your dealer or the factory (215-699-7031) for units less than 90 days old.

Non-Warranty Service

If units are older than 90 days, repairs can be made easily on site with factory supplied parts.

NOTE: Do not send units to the factory for service without first obtaining a "Return Merchandise Authorization" (RMA) number from the customer service department. We will not be responsible for merchandise returned without proper authorization.

Spare Parts List

Items Shown in Figure 1 Below

Item	P/ N	Description	Qty.
1	100218	Scr: Hex Hd Cap SS 3/8-16x1"	4
2	053043	Third Wheel Weldment: SS KDT	1
3	109452	Caster: Swivel 5x2" SS Assembly	1
4	109635	Washer: Flat SS 3/8" USS	4
5	108914	Washer: Lock SS 3/8"	4
6	108915	Nut: Hex SS 3/8-16	4

3rd Wheel Assembly

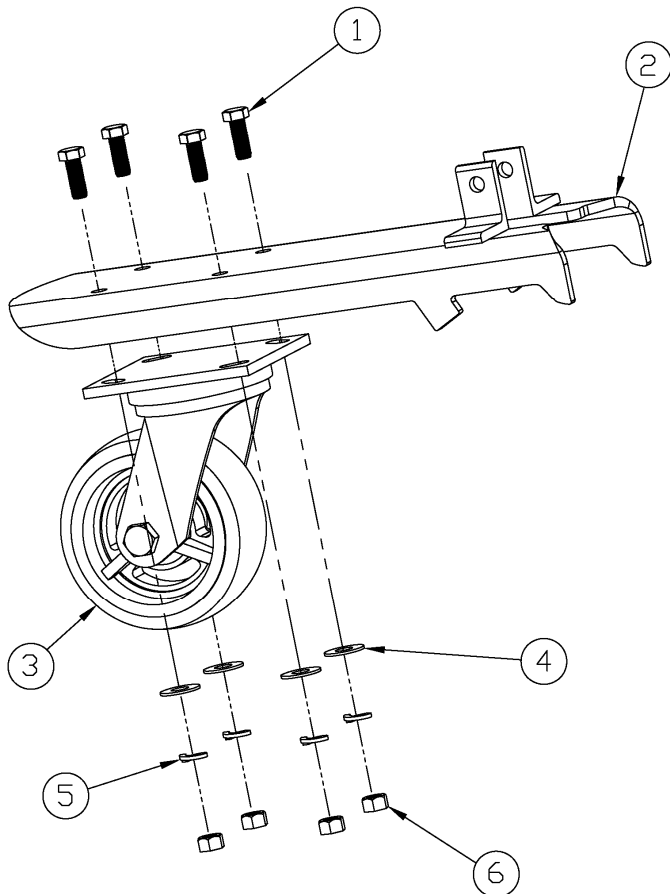


Figure 1

3rd Wheel to Truck Assembly

1. Insert 3rd Wheel Assembly tabs into base (Figure 2).

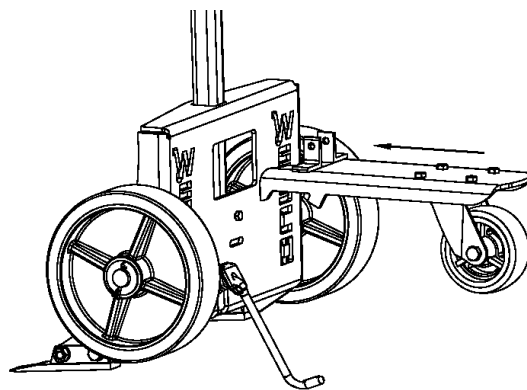


Figure 2

2. Lock 3rd Wheel Assembly to post with clevis pin. Secure with cotter pin (Figure 3).

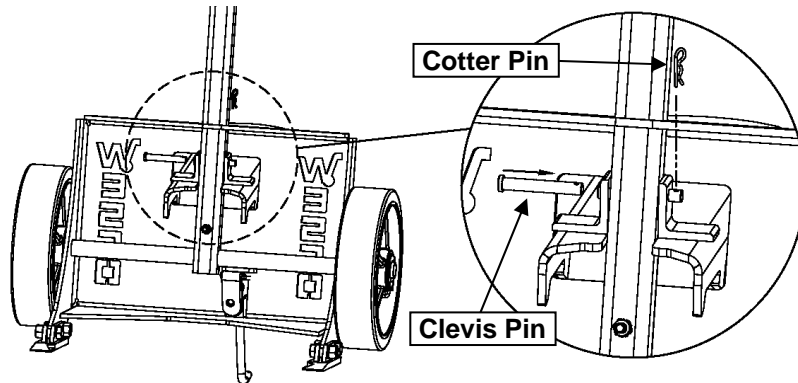


Figure 3