

Description

The Wesco Fork Mounted Drum Grabs are designed for the transport of steel drums with a powered fork truck.

Wesco Industrial Products, Inc

1250 Welsh Road
North Wales, PA 19454
Tel: 215-699-7031 Fax: 215-699-3836

Contact the factory for parts information and ordering.
Visit us on the web at www.wescomfg.com

Unpacking

When unpacking the Wesco Product, check carefully for shipping damage and missing parts. If damage has occurred or any parts are missing, file a claim with the delivering carrier within 24 hours and notify the dealer from whom the unit was purchased.

Warranty Repairs

If the unit does not work properly, contact your dealer or the factory (215-699-7031) for units less than 90 days old.

Non-Warranty Service

If units are older than 90 days, repairs can be made easily on site with factory supplied parts.

NOTE: Do not send units to the factory for service without first obtaining a "Return Merchandise Authorization" (RMA) number from the customer service department. We will not be responsible for merchandise returned without proper authorization.



Figure 1

General Safety Information

The Wesco Fork Mounted Drum Grabs is designed for specific functions. To insure proper use, the following instructions must be adhered to:

- (1) Load Ratings:
 - **DJ-55:** One 55 Gallon Drum (1,500 lbs capacity)
 - **DJL-55:** One 55 Gallon Drum (1,500 lbs capacity)
 - **DJ-255:** Two 55 Gallon Drums (1,500 lbs/per drum capacity)
 - **ADJ-53:** One 55 or 30 Gallon Drum (1,500 lbs capacity)
 - **ADJL-53:** One 55 or 30 Gallon Drum (1,500 lbs capacity)
 - **ADJ-253:** Two 55 or 30 Gallon Drums (1,500 lbs/per drum capacity)
- (2) DO NOT use your unit for loads exceeding the rated capacity.
- (3) DO NOT use on open head drums containing liquid or powder.
- (4) DO NOT use on fiber or plastic drums.
- (5) Drums must have rolling ribs, and should not have severe dents or be otherwise misshaped.
- (6) Follow all Occupational Safety and Health Act (OSHA) requirements, particularly Section 1910.178a(5) regarding powered industrial trucks.
- (7) Adhere to all local codes regarding drum use and storage.
- (8) Before using this product, contact the manufacturer of your industrial truck, and obtain their written approval that the truck has the capacity to be used with this attachment.
- (9) DO NOT use drum grabs with manually operated stackers.
- (10) DO NOT use to lift personnel or to carry loads over people.
- (11) DO NOT leave with a load suspended in air unattended.
- (12) DO NOT remove or obscure capacity/warning label.
- (13) Inspect unit daily before use. Remove unit from service immediately if damaged or malfunctioning until repairs have been made.
- (14) DO NOT modify this product in any way.
- (15) Use only genuine WESCO replacement parts when servicing.

LIMITED WARRANTY

WESCO INDUSTRIAL PRODUCTS (WESCO) warrants to the purchaser of this product for a period of ninety (90) days from the date of purchase that this product shall be free of defects in material and/or workmanship, as follows:

1. WESCO will supply, at no charge, new or rebuilt replacements for any part that fails through a defect in material and/or workmanship during the warranty period. To obtain warranty service, you must deliver the product prepaid, to the WESCO factory.

2. This warranty does not cover any product or product part which has been subject to accident, misuse, abuse or negligence. WESCO shall only be liable under this warranty if the product is used the manner intended by the manufacturer as specified in the written instructions furnished with this product.

REPAIR OR REPLACEMENT AS PROVIDED UNDER THIS WARRANTY IS THE EXCLUSIVE REMEDY OF THE PURCHASER. ANY EXPRESS WARRANTY NOT PROVIDED IN THIS WARRANTY DOCUMENT, AND ANY REMEDY FOR BREACH OF CONTRACT THAT, BUT FOR THIS PROVISION, MIGHT ARISE BY IMPLICATION OR OPERATION OF LAW, IS HEREBY EXCLUDED AND DISCLAIMED. UNDER NO CIRCUMSTANCES SHALL WESCO BE LIABLE TO PURCHASER OR ANY OTHER PERSON FOR ANY INCIDENTAL OR CONSEQUENTIAL DAMAGES, WHETHER ARISING OUT OF BREACH OF WARRANTY, EXPRESS OR IMPLIED, A BREACH OF CONTRACT OR OTHERWISE. EXCEPT TO THE EXTENT PROHIBITED BY APPLICABLE LAW, ANY IMPLIED WARRANTY OF MERCHANTABILITY AND FITNESS FOR ANY PARTICULAR PURPOSE ARE EXPRESSLY LIMITED IN DURATION TO THE DURATION OF THIS LIMITED WARRANTY.

Some states do not allow the exclusion or limitation of incidental or consequential damages, or allow limitations on how long any implied warranty lasts, so the above limitations may not apply to you. This warranty gives you specific legal rights, and you may also have other rights which vary from state to state.

Operation Instructions

The following outlines the general operation of Fork Mounted Drum Grabs. Specifics for different models are followed by the general steps.

- (1) Place unit on floor or flat surface easily accessible to fork truck. Be sure that "T" bolts are sufficiently unthreaded to allow forks to enter pockets.
- (2) Carefully slide forks (do not use fork extensions) into drum grab's fork pockets. Be sure forks are in pockets as far as possible.
- (3) Hand tighten "T" bolts to secure unit to forks (hand tool may be used but is not necessary). Recheck bolts periodically during use for tightness.
- (4) If not already done, unfold grab jaws
- (5) Raise unit and approach drum so that the jaws come in contact with the drum just below the upper rolling rib of the drum. (Figure 2)

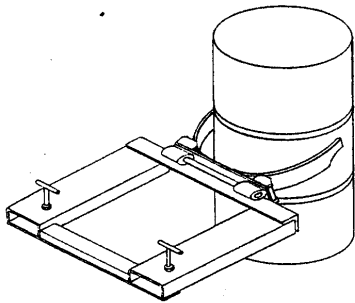


Figure 2

- (6) Move unit forward onto drum, lowering jaws slowly as you move. Jaws will open and close around drum. (Figure 3)

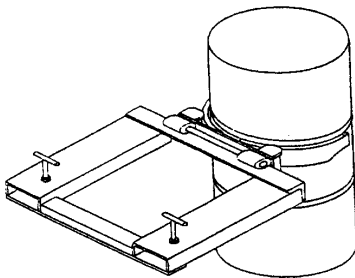


Figure 3

Operation Instructions (Continued)

- (7) When jaws surround drum, raise forks until jaws rest under rolling rib. Drum can now be raised and moved where desired.
- (8) To release drums, return to floor lowering drum grab slowly as you pull back.

Model DJ-255

Follow same procedure with two drums at same time. For easier pickup, drums should touch each other. Be sure that drum weights are similar to insure balanced load.

Model ADJ-53 & ADJL-53 (Adjustable)

Operation is same as general instructions except jaws must be properly positioned for 55 or 30 gallon drums:

- 55 Gallon Drum: Both jaws to the outside and in lower position.
- 30 Gallon Drum: Both jaws to the inside and in upper position.

Jaws are positioned by raising to 90 degrees and sliding up or down shaft. For upper position, hold jaw in position when lowering to insure catching stop rod.

Model ADJ-253 (Adjustable)

Follow jaw positioning instructions for ADJ-53. Placement for 55 gallon drums is the same as DJ-255. 30 gallon drums should be placed approximately 11.5 cm apart, and center bar should be folded down between jaws. Follow use instructions for DJ-255.

Maintenance

- Lubricate moving parts periodically.

LIMITED WARRANTY

WESCO INDUSTRIAL PRODUCTS (WESCO) warrants to the purchaser of this product for a period of ninety (90) days from the date of purchase that this product shall be free of defects in material and/or workmanship, as follows:

1. WESCO will supply, at no charge, new or rebuilt replacements for any part that fails through a defect in material and/or workmanship during the warranty period. To obtain warranty service, you must deliver the product prepaid, to the WESCO factory.

2. This warranty does not cover any product or product part which has been subject to accident, misuse, abuse or negligence. WESCO shall only be liable under this warranty if the product is used the manner intended by the manufacturer as specified in the written instructions furnished with this product.

REPAIR OR REPLACEMENT AS PROVIDED UNDER THIS WARRANTY IS THE EXCLUSIVE REMEDY OF THE PURCHASER. ANY EXPRESS WARRANTY NOT PROVIDED IN THIS WARRANTY DOCUMENT, AND ANY REMEDY FOR BREACH OF CONTRACT THAT, BUT FOR THIS PROVISION, MIGHT ARISE BY IMPLICATION OR OPERATION OF LAW, IS HEREBY EXCLUDED AND DISCLAIMED. UNDER NO CIRCUMSTANCES SHALL WESCO BE LIABLE TO PURCHASER OR ANY OTHER PERSON FOR ANY INCIDENTAL OR CONSEQUENTIAL DAMAGES, WHETHER ARISING OUT OF BREACH OF WARRANTY, EXPRESS OR IMPLIED, A BREACH OF CONTRACT OR OTHERWISE. EXCEPT TO THE EXTENT PROHIBITED BY APPLICABLE LAW, ANY IMPLIED WARRANTY OF MERCHANTABILITY AND FITNESS FOR ANY PARTICULAR PURPOSE ARE EXPRESSLY LIMITED IN DURATION TO THE DURATION OF THIS LIMITED WARRANTY.

Some states do not allow the exclusion or limitation of incidental or consequential damages, or allow limitations on how long any implied warranty lasts, so the above limitations may not apply to you. This warranty gives you specific legal rights, and you may also have other rights which vary from state to state.