



# Aluminum Drum Truck ABT-12-SC-B (Part # 240120)

## Operating Instructions and Parts Manual

ATTENTION: TO INSURE SAFE AND EASY USE OF YOUR WESCO DRUM TRUCK, READ THESE INSTRUCTIONS BEFORE USING.

### Description

The Wesco Drum Truck is designed for 30 and 55 gallon drums; it features a disc wheeled brake, activated by a hand lever and a spring loaded chime hook that automatically engages the drum. The standard hook is intended for use with closed head steel, fiber and poly drums and the special order hook is for steel, fiber and poly drums with locking rings. An optional ratchet-tightening belt kit (**Part # 240136**) can be field installed.

This product is distributed by:

**Wesco Industrial Products, Inc**  
1250 Welsh Road  
North Wales, PA 19454  
Tel: 215-699-7031 Fax: 215-699-3836

Contact the factory for parts information and ordering.  
Visit us on the web at [www.wescomfg.com](http://www.wescomfg.com)

### Unpacking

When unpacking the Wesco Product, check carefully for shipping damage and missing parts. If damage has occurred or any parts are missing, file a claim with the delivering carrier within 24 hours and notify the dealer from whom the unit was purchased.

### Warranty Repairs

If the unit does not work properly, contact your dealer or the factory (215-699-7031) for units less than 90 days old.

### Non-Warranty Service

If units are older than 90 days, repairs can be made easily on site with factory supplied parts.

**NOTE:** Do not send units to the factory for service without first obtaining a "Return Merchandise Authorization" (RMA) number from the customer service department. We will not be responsible for merchandise returned without proper authorization.

### General Safety Information

**Warning: The Wesco Drum Trucks are intended for specific functions. Please adhere to the following instructions to insure safe and proper use.**

- (1) Maximum capacity - 700 Lbs.
- (2) Do not exceed rated capacity. Injury to persons or property may result from overloading and misuse.
- (3) **Only use on Closed Head Steel, Fiber or Poly Drums!** (Unless using Special Oder Hook, allowing the use of steel, fiber and poly drums with locking rings.)

### Operating Instructions

- (1) Check the following before pulling back and moving the Drum Truck:
  - a. Chime Hook securely engages drum rim.
  - b. Both of truck's nose prongs are in full contact with bottom of drum.
- (2) Tilt drum with caution, maintaining control throughout transportation

### Warning

- DO NOT move with drum unless truck's nose prongs are positioned evenly and fully under drum.
- Use extreme caution when moving over uneven floors.
- DO NOT use on stairs or inclines.
- Use only for handling 55 gallon or 30 gallon steel drums.
- Periodically check for loose or worn hardware; If found replace at once.

**[Spare Parts Listed On Next Page]**

## LIMITED WARRANTY

WESCO INDUSTRIAL PRODUCTS (WESCO) warrants to the purchaser of this product for a period of ninety (90) days from the date of purchase that this product shall be free of defects in material and/or workmanship, as follows:

1. WESCO will supply, at no charge, new or rebuilt replacements for any part that fails through a defect in material and/or workmanship during the warranty period. To obtain warranty service, you must deliver the product prepaid, to the WESCO factory.
  2. This warranty does not cover any product or product part which has been subject to accident, misuse, abuse or negligence. WESCO shall only be liable under this warranty if the product is used the manner intended by the manufacturer as specified in the written instructions furnished with this product.
- REPAIR OR REPLACEMENT AS PROVIDED UNDER THIS WARRANTY IS THE EXCLUSIVE REMEDY OF THE PURCHASER. ANY EXPRESS WARRANTY NOT PROVIDED IN THIS WARRANTY DOCUMENT, AND ANY REMEDY FOR BREACH OF CONTRACT THAT, BUT FOR THIS PROVISION, MIGHT ARISE BY IMPLICATION OR OPERATION OF LAW, IS HEREBY EXCLUDED AND DISCLAIMED. UNDER NO CIRCUMSTANCES SHALL WESCO BE LIABLE TO PURCHASER OR ANY OTHER PERSON FOR ANY INCIDENTAL OR CONSEQUENTIAL DAMAGES, WHETHER ARISING OUT OF BREACH OF WARRANTY, EXPRESS OR IMPLIED, A BREACH OF CONTRACT OR OTHERWISE. EXCEPT TO THE EXTENT PROHIBITED BY APPLICABLE LAW, ANY IMPLIED WARRANTY OF MERCHANTABILITY AND FITNESS FOR ANY PARTICULAR PURPOSE ARE EXPRESSLY LIMITED IN DURATION TO THE DURATION OF THIS LIMITED WARRANTY.

Some states do not allow the exclusion or limitation of incidental or consequential damages, or allow limitations on how long any implied warranty lasts, so the above limitations may not apply to you. This warranty gives you specific legal rights, and you may also have other rights which vary from state to state.

**Operating Instructions and Parts Manual**

ATTENTION: TO INSURE SAFE AND EASY USE OF YOUR WESCO DRUM TRUCK, READ THESE INSTRUCTIONS BEFORE USING.

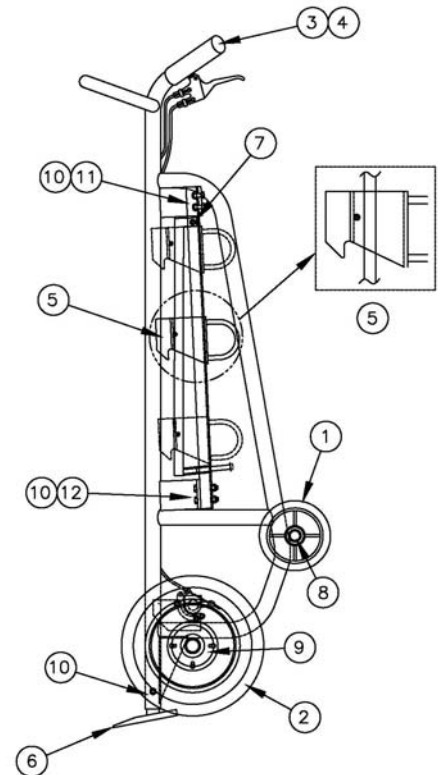
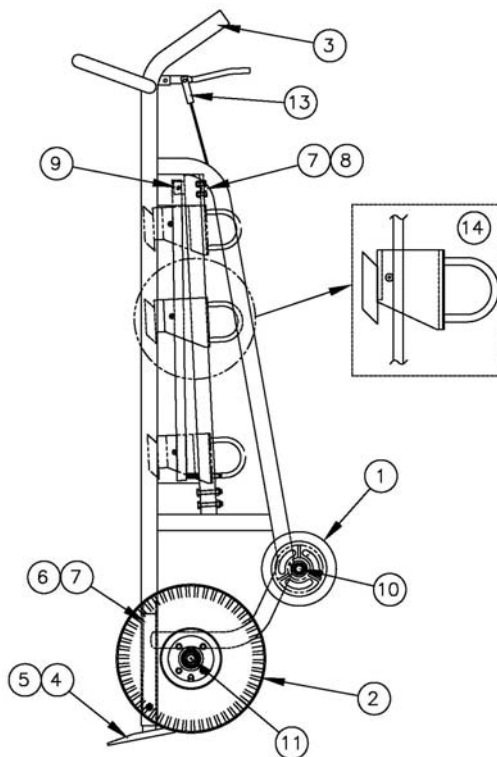
**Spare Parts (Trucks Purchased Before July 2012)**

Item	Part No.	Description	Qty.
1	050567	6" Wheel	2
2	240188	12" Wheel with Drum Hub	2
3	108433	Handgrip	2
4	055651	RH Toe Weldment	1
5	055654	LH Toe Weldment	1
6	108934	HH Cap Screw 5/16-18x1-3/4"	4
7	108132	Hex Nut Nylock 5/16-18	6
8	108148	HH Cap Screw 5/16-18x3/4	2
9	108929	Hex Nut Nylock 1/4-20	3
10	101221	Hex Nut Keps 10-32	1
11	108426	Flat Washer 1/4 SAE	2
12	108204	Flat Washer 3/4 SAE	2
13	108208	Flat Washer 1" SAE	2
14	055741	Chime Hook	1

**Spare Parts (Trucks Purchased After July 2012)**

Item	Part No.	Description	Qty.
1	050567	6" Wheel	2
2	108484	12" Pneumatic Wheel	2
3	109365	Handgrip 7/8 ID	1
4	109364	Handgrip 1 1/4 ID	1
5	055741	Chime Hook	1
6	055648	LH/RH Toe Weldment	2
7	108929	Hex Lock Nut 1/4 -20	9
8	100051	Flat Washer 5/8 SAE	2
9	108204	Flat Washer 3/4 SAE	2
10	108132	Hex Nylock Nut 5/16-18	6
11	108148	Hex Cap Screw 5/16-18x3/4"	2
12	108934	Hex HD Screw 5/16-18x1 3/4"	4

**Note:** Item 3 is brake side handgrip, Item 4 for other side



**LIMITED WARRANTY**

WESCO INDUSTRIAL PRODUCTS (WESCO) warrants to the purchaser of this product for a period of ninety (90) days from the date of purchase that this product shall be free of defects in material and/or workmanship, as follows:

1. WESCO will supply, at no charge, new or rebuilt replacements for any part that fails through a defect in material and/or workmanship during the warranty period. To obtain warranty service, you must deliver the product prepaid, to the WESCO factory.

2. This warranty does not cover any product or product part which has been subject to accident, misuse, abuse or negligence. WESCO shall only be liable under this warranty if the product is used the manner intended by the manufacturer as specified in the written instructions furnished with this product.

REPAIR OR REPLACEMENT AS PROVIDED UNDER THIS WARRANTY IS THE EXCLUSIVE REMEDY OF THE PURCHASER. ANY EXPRESS WARRANTY NOT PROVIDED IN THIS WARRANTY DOCUMENT, AND ANY REMEDY FOR BREACH OF CONTRACT THAT, BUT FOR THIS PROVISION, MIGHT ARISE BY IMPLICATION OR OPERATION OF LAW, IS HEREBY EXCLUDED AND DISCLAIMED. UNDER NO CIRCUMSTANCES SHALL WESCO BE LIABLE TO PURCHASER OR ANY OTHER PERSON FOR ANY INCIDENTAL OR CONSEQUENTIAL DAMAGES, WHETHER ARISING OUT OF BREACH OF WARRANTY, EXPRESS OR IMPLIED, A BREACH OF CONTRACT OR OTHERWISE. EXCEPT TO THE EXTENT PROHIBITED BY APPLICABLE LAW, ANY IMPLIED WARRANTY OF MERCHANTABILITY AND FITNESS FOR ANY PARTICULAR PURPOSE ARE EXPRESSLY LIMITED IN DURATION TO THE DURATION OF THIS LIMITED WARRANTY.

Some states do not allow the exclusion or limitation of incidental or consequential damages, or allow limitations on how long any implied warranty lasts, so the above limitations may not apply to you. This warranty gives you specific legal rights, and you may also have other rights which vary from state to state.