



Industrial Products, Inc.

Ergonomic Drum Handler DM-1100 Operating Instructions and Parts Manual

ATTENTION: TO INSURE SAFE AND EASY USE OF YOUR WESCO DRUM HANDLER, READ THESE INSTRUCTIONS BEFORE USING.

Description

The Wesco Ergonomic Drum Handler DM-1100s are designed specifically for lifting and transporting 30, 55 and 85 gallon steel, fiber and poly drums.

This product is distributed by:

Wesco Industrial Products, Inc

1250 Welsh Road

North Wales, PA 19454

Tel: 215-699-7031 Fax: 215-699-3836

Contact the factory for parts information and ordering.

Visit us on the web at www.wescomfg.com

Unpacking

When unpacking the Wesco Product, check carefully for shipping damage and missing parts. If damage has occurred or any parts are missing, file a claim with the delivering carrier within 24 hours and notify the dealer from whom the unit was purchased.

Warranty Repairs

If the unit does not work properly, contact your dealer or the factory (215-699-7031) for units less than 90 days old.

Non-Warranty Service

If units are older than 90 days, repairs can be made easily on site with factory supplied parts.

NOTE: Do not send units to the factory for service without first obtaining a "Return Merchandise Authorization" (RMA) number from the customer service department. We will not be responsible for merchandise returned without proper authorization.

General Safety Information

The Wesco Model DM1100 is designed for specific functions. To insure proper use, the following instructions must be adhered to:

- (1) Load Rating: 1100 lbs./(legs extended) 650 lbs./(legs retracted)
- (2) DO NOT use unit for loads exceeding the rated capacity.
- (3) This product is designed for use on level floors only. DO NOT use unit, or engage floor lock, on any incline greater than five (5) degrees.

General Safety Information (cont'd)

- (4) Keep hands and feet clear of clamping head, mast and wheels.
- (5) Clamping head must be in full contact with drum rim prior to lifting.
- (6) Be certain rim of fiber or plastic drum is able to withstand the stress of drum lifting procedure.
- (7) Be certain that both ends of lift chain are securely fastened to jack and chain anchor before lifting load.
- (8) DO NOT transport load at maximum height. Transport drum 2 to 3 inches off floor.
- (9) Use extreme care when travelling over uneven floors.
- (10) DO NOT use on ramps
- (11) DO NOT modify this product in any way.
- (12) Periodically inspect for damage, and loose or missing hardware. If required remove unit from service

Operation Instructions

- (1) Move unit towards drum until the clamping head firmly contacts the sidewall of the drum.
Note: Three sets of holes in the top of the mast allow for the adjustment of the clamping head to grab a drum.
- (2) Raise the mast above the frame upright until the lowest adjustment hole clears the mast. While holding the clamping head and slides with one hand, insert the adjustment pin through the appropriate set of holes to obtain the proper height for grabbing a drum
- (3) Engage the floor lock (if present) and raise the drum 2" to 3" off of the floor by stepping on the pumping pedal or using the power lift.
Note: If a drum is to be moved from a raised platform, engage the clamping head against the drum, raise the load to clear the platform, and lower the drum to the recommended height for transportation
- (4) Disengage the floor lock (if present), and transport drum to the desired location.
- (5) Engage floor lock (if present), and lower drum to floor by pressing relief pedal located on left side of hydraulic jack or using the power lift.
Note: If drum is to be positioned on a raised platform, raise the drum so that it clears the platform, move the load to the required position, and lower the drum.

LIMITED WARRANTY

WESCO INDUSTRIAL PRODUCTS (WESCO) warrants to the purchaser of this product for a period of ninety (90) days from the date of purchase that this product shall be free of defects in material and/or workmanship, as follows:

1. WESCO will supply, at no charge, new or rebuilt replacements for any part that fails through a defect in material and/or workmanship during the warranty period. To obtain warranty service, you must deliver the product prepaid, to the WESCO factory.

2. This warranty does not cover any product or product part which has been subject to accident, misuse, abuse or negligence. WESCO shall only be liable under this warranty if the product is used in the manner intended by the manufacturer as specified in the written instructions furnished with this product.

REPAIR OR REPLACEMENT AS PROVIDED UNDER THIS WARRANTY IS THE EXCLUSIVE REMEDY OF THE PURCHASER. ANY EXPRESS WARRANTY NOT PROVIDED IN THIS WARRANTY DOCUMENT, AND ANY REMEDY FOR BREACH OF CONTRACT THAT, BUT FOR THIS PROVISION, MIGHT ARISE BY IMPLICATION OR OPERATION OF LAW, IS HEREBY EXCLUDED AND DISCLAIMED. UNDER NO CIRCUMSTANCES SHALL WESCO BE LIABLE TO PURCHASER OR ANY OTHER PERSON FOR ANY INCIDENTAL OR CONSEQUENTIAL DAMAGES, WHETHER ARISING OUT OF BREACH OF WARRANTY, EXPRESS OR IMPLIED, A BREACH OF CONTRACT OR OTHERWISE. EXCEPT TO THE EXTENT PROHIBITED BY APPLICABLE LAW, ANY IMPLIED WARRANTY OF MERCHANTABILITY AND FITNESS FOR ANY PARTICULAR PURPOSE ARE EXPRESSLY LIMITED IN DURATION TO THE DURATION OF THIS LIMITED WARRANTY.

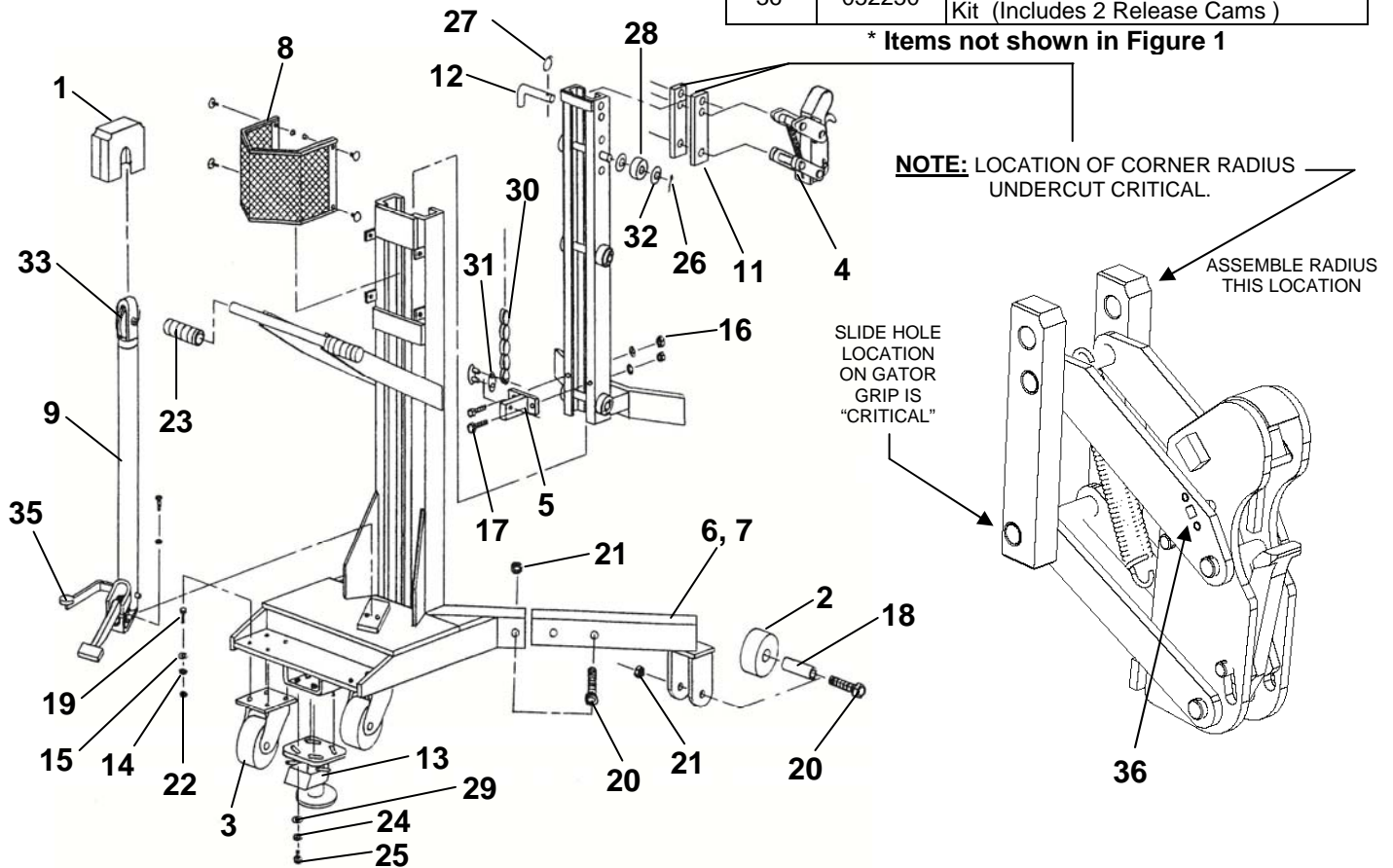
Some states do not allow the exclusion or limitation of incidental or consequential damages, or allow limitations on how long any implied warranty lasts, so the above limitations may not apply to you. This warranty gives you specific legal rights, and you may also have other rights which vary from state to state.

Spare Parts (1-13)

Item	Part No.	Description
1	051618	Chain Roller Guard
2	053769	5x2 Phenolic Wheel
3	054267	Swivel Caster Assembly
4	055079	Gator Grip Jaw Assembly
5	055006	Chain Anchor
6	055007	RH Outrigger
	054933	RH Outrigger Extended (For 240155 Only)
7	055008	LH Outrigger Weldment
	054932	LH Outrigger Extended (For 240155 Only)
8	055090	Guard Assembly (For 240155 & 240150 Only)
	054923	Extended Guard Assembly (For 240154, 240156 & 240157 Only)
9	055016	40" Hydraulic Jack – Foot Pump (For 240150, 240154 & 240155 Only)
	051169	28" Cylinder – Powered Model (For 240156 & 240157 Only)
*10	052723	Hydraulic Jack Seal Kit
11	055286	Gator Grip Slide
12	055063	Adjustment Pin
13	150001	Floor Lock Assembly (For Units Made Before 8/12)
	492038	Floor Lock Assembly (For Units Made After 7/12)
14	100069	Flat Washer (5/16 SAE)

Spare Parts (14-34)

Item	Part No.	Description
15	100170	Lockwasher (5/16)
16	100642	Hex Nut (3/8-16)
17	105080	Socket Cap Screw (3/8-16x1-1/4)
18	105311	Spanner Bushing
19	108149	Hex Cap Screw (5/16-18 x 1")
20	108161	Hex Cap Screw (1/2-13 x 3-1/3)
21	108174	Lock Hex Nut (1/2-13 2 Way Rev)
22	108175	Hex Nut (5/16-18)
23	108226	Handgrip
24	108427	Flat Washer (1/4 USS)
25	108918	Hex Cap Screw (1/4-20, 7/8L)
26	108943	Cotter Pin (1/8 x 1") (For Units Made Before 8/12)
	100457	Retaining Ring 1/2", Ext. (For Units Made After 7/12)
27	108944	Circle Cotter Pin
28	050853	Carriage Roller
29	100169	1/4" Lockwasher
30	108503	Lift Chain
31	108502	Connecting Link
32	108941	Flat Washer (1 OD x 1/2 ID)
33	108967	Chain Roller
*34	220802	Gator Grip Slide Kit (Includes 2 Slides)
35	055012	Relief Pedal Assembly (For 240150, 240154, 240155 Only)
36	052250	Gator Grip Release Pin Replacement Kit (Includes 2 Release Cams)





Industrial Products, Inc.

Hydraulic Jack

Operating Instructions and Parts Manual

ATTENTION: TO INSURE SAFE AND EASY USE OF YOUR WESCO HYDRAULIC JACK, READ THESE INSTRUCTIONS BEFORE USING.

Description

The Wesco Hydraulic Jacks are an exclusive design of the manufacturer and under normal usage, will provide a long life of service. The jacks are rated for 750 lb., 1000 lb., or 1100 lb. loads depending on the product.

This product is distributed by:

Wesco Industrial Products, Inc
1250 Welsh Road
North Wales, PA 19454
Tel: 215-699-7031 Fax: 215-699-3836

Contact the factory for parts information and ordering.
Visit us on the web at www.wescomfg.com

Unpacking

When unpacking the Wesco Product, check carefully for shipping damage and missing parts. If damage has occurred or any parts are missing, file a claim with the delivering carrier within 24 hours and notify the dealer from whom the unit was purchased.

Warranty Repairs

If the unit does not work properly, contact your dealer or the factory (215-699-7031) for units less than 90 days old.

Non-Warranty Service

If units are older than 90 days, repairs can be made easily on site with factory supplied parts.

NOTE: Do not send units to the factory for service without first obtaining a "Return Merchandise Authorization" (RMA) number from the customer service department. We will not be responsible for merchandise returned without proper authorization.

General Safety Information

The Wesco Hydraulic Jack is designed for specific functions. To insure proper use, the following instructions must be adhered to:

- (1) DO NOT overload the jack above the rated capacity of the unit.
- (2) Jack should always be filled with hydraulic oil to filler hole level. Oil level should be checked with the ram fully retracted

LIMITED WARRANTY

WESCO INDUSTRIAL PRODUCTS (WESCO) warrants to the purchaser of this product for a period of ninety (90) days from the date of purchase that this product shall be free of defects in material and/or workmanship, as follows:

1. WESCO will supply, at no charge, new or rebuilt replacements for any part that fails through a defect in material and/or workmanship during the warranty period. To obtain warranty service, you must deliver the product prepaid, to the WESCO factory.

2. This warranty does not cover any product or product part which has been subject to accident, misuse, abuse or negligence. WESCO shall only be liable under this warranty if the product is used the manner intended by the manufacturer as specified in the written instructions furnished with this product.

REPAIR OR REPLACEMENT AS PROVIDED UNDER THIS WARRANTY IS THE EXCLUSIVE REMEDY OF THE PURCHASER. ANY EXPRESS WARRANTY NOT PROVIDED IN THIS WARRANTY DOCUMENT, AND ANY REMEDY FOR BREACH OF CONTRACT THAT, BUT FOR THIS PROVISION, MIGHT ARISE BY IMPLICATION OR OPERATION OF LAW, IS HEREBY EXCLUDED AND DISCLAIMED. UNDER NO CIRCUMSTANCES SHALL WESCO BE LIABLE TO PURCHASER OR ANY OTHER PERSON FOR ANY INCIDENTAL OR CONSEQUENTIAL DAMAGES, WHETHER ARISING OUT OF BREACH OF WARRANTY, EXPRESS OR IMPLIED, A BREACH OF CONTRACT OR OTHERWISE. EXCEPT TO THE EXTENT PROHIBITED BY APPLICABLE LAW, ANY IMPLIED WARRANTY OF MERCHANTABILITY AND FITNESS FOR ANY PARTICULAR PURPOSE ARE EXPRESSLY LIMITED IN DURATION TO THE DURATION OF THIS LIMITED WARRANTY.

Some states do not allow the exclusion or limitation of incidental or consequential damages, or allow limitations on how long any implied warranty lasts, so the above limitations may not apply to you. This warranty gives you specific legal rights, and you may also have other rights which vary from state to state.

General Safety Information (cont'd)

- (3) When lowering platform or forks, apply foot pressure slowly to release pedal to properly determine and control downward speed. DO NOT Depress the pedal fully when loaded without performing the above test.
- (4) A sealing label has been placed over the breather hole of the jack to prevent leakage during shipment. This label **must** be removed prior to use. See parts list drawing for hole location.
- (5) **Custom alterations of units for specific functions, not made at the factory, void all warranties without exceptions. User-made alterations may result in unsafe conditions during use of unit.**

Operation Instructions

Jack Start Up:

To be certain your unit is in working order, place an approximately 200 lb. load on the platform; fork; or in the case of the Drum-Master, a drum weighing approximately 200 lbs. and pump the load to full height at least 5 or 6 times.

If jack does not pump or pumps only slightly at the outset, pump the pedal vigorously at least 12 times to dislodge any air pockets that might have located in the unit during shipment.

If this procedure does not correct the problem; loosen assembly retainer (see Figure 1) and pump the pedal once or twice. This will cause the oil to flow, breaking any air lock that might exist. Re-tighten the assembly retainer before using the unit.

If the unit does not reach proper height, the oil reservoir is low and additional hydraulic fluid should be added. This can be done by removing both fill screws (See Parts Drawing) and washers and filling to level of the lower hole. Use premium grade ISO #32 Anti-Wear Hydraulic Pump oil. The oil must be perfectly clean, we recommend straining the oil prior to use.

After filling it may be necessary to rebleed the unit as described above. If any oil leaks exist after completion of above procedure, contact your dealer immediately.

Operation Instructions (continued)

WARNING: Do not attempt repairs on any new unit should failure occur. Doing so will void the warranty.

Speed Adjustment

READ THIS PROCEDURE COMPLETELY PRIOR TO ATTEMPTING ADJUSTMENT! In some instances, the lowering speed of the platform, forks, or drum may require adjustment. This can be done as follows

- (1) Using the adjustment screw that is part of the Pumping & Release Valve Rebuild Kit (Key C3). See Figure 1 for a detail of this part.

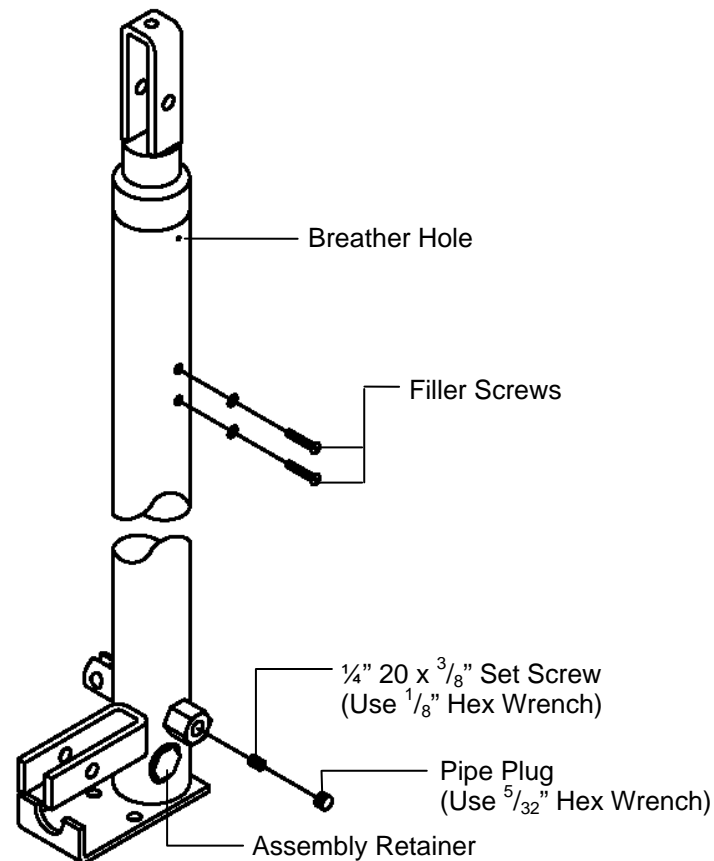


Figure 1

- (2) Remove pipe plug. Insert 1/8" Hex Wrench and adjust by holding relief pedal down with left hand while turning hex wrench clockwise until you feel the relief pedal raising up. (Should be about 3/4" of travel).

Testing Speed

- (1) Pump up jack until platform, fork, or drum is about 1.5 feet from bottom.
- (2) Mark side of truck frame with a pencil at top of platform or fork. If you have purchase a Drum-Master, the mark should be placed at the top of the extension for the drum support. Place a second mark exactly one foot down.
- (3) Time platform drop speed between two marks (without a load). It should be about 18 seconds.

If time is less than 18 seconds, turn set screw in 1/4 turn clockwise increments until slower speed is reached. Turn counterclockwise if time is greater than 18 seconds, if a faster speed is desired.

It is recommended to use unit at slowest acceptable speed. Unit should be further tested under full load, to insure that lowering speed is not too fast.



Industrial Products, Inc.

Hydraulic Jack Operating Instructions and Parts Manual

ATTENTION: TO INSURE SAFE AND EASY USE OF YOUR WESCO HYDRAULIC JACK, READ THESE INSTRUCTIONS BEFORE USING.

Parts List

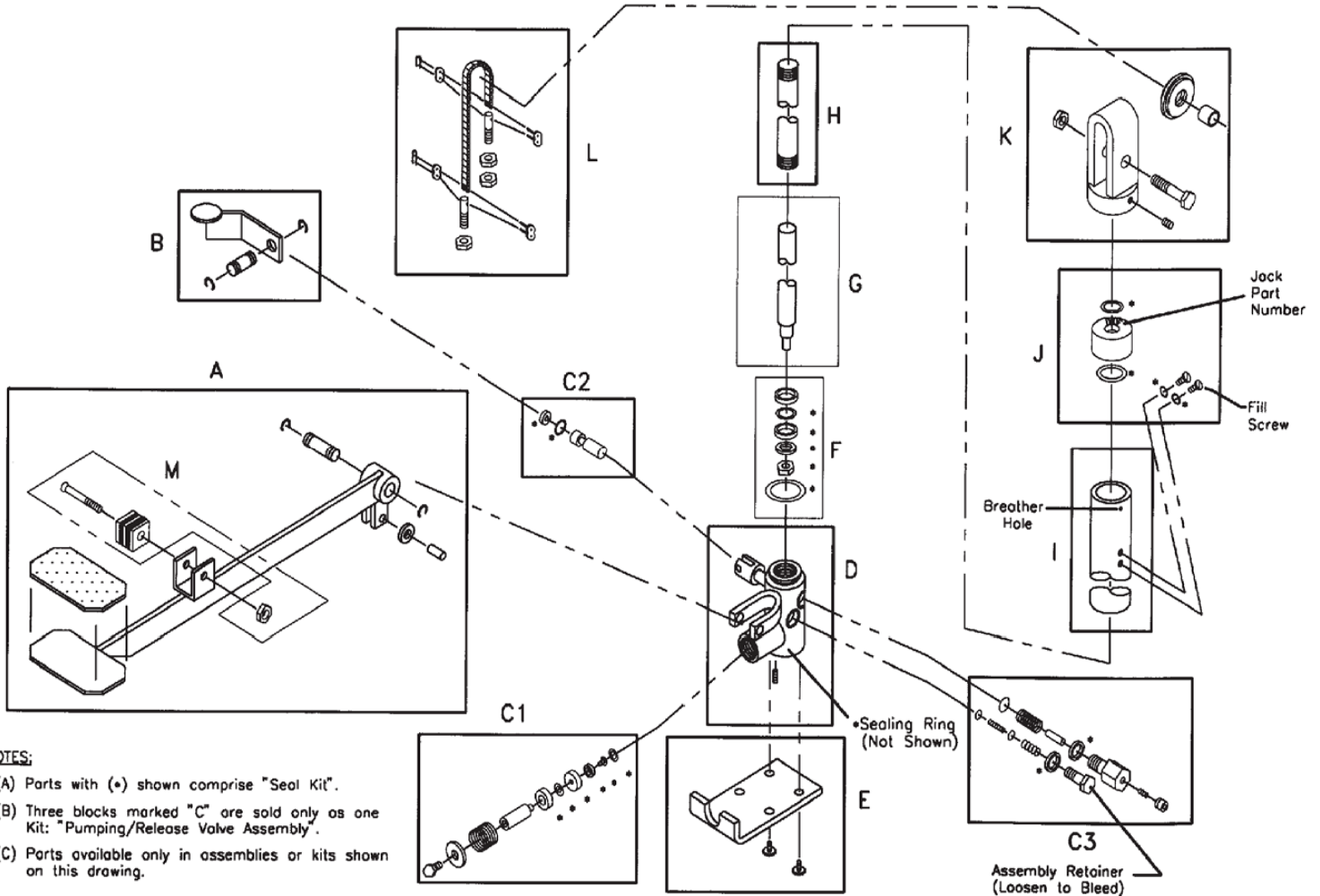
Key	Part Description	40" Pedalift	54" Pedalift Lite-Lift	56"/60" Stacker	64"/68" Stacker	76"/80" Stacker	Drum Master
A	Pumping Valve Assembly	050750	050750	050750	050750	050750	050750
B	Relief Pedal Assembly	050752	050752	050752	050752	050752	055012
C	Pumping & Release Valve Rebuild Kit	050754	050754	050774	050774	050774	050774
D	Jack Body	050755	050755	050755	050755	050755	050755
E	Jack Base	050756	050756	050756	050756	050756	050756
F	Main Piston Hardware	050767	050767	050767	050767	050767	050767
G	Main Piston	051152	051153	051186	051170	051173	051152
H	Inner Cylinder	051038	051039	051185	051171	051174	051038
I	Outer Cylinder	051027	051028	051187	051172	051175	051027
J	Outer Cylinder Hardware	050757	050757	050757	050757	050757	050757
K	Roller Carrier Assembly	260143	260143	260143	260143	260143	260143
L	Lift Chain Assembly	050768	050769	050770	050771	050772	050773
M	Magnet/ Spacer Assembly	050468	050468	050468	050468	050468	050468
*	Seal Kit (see starred items)	052722	052722	052723	052723	052723	052723
	Complete Jack (without chain)	051160	051159	051151	051161	051162	055016
	Maximum Capacity (lbs.)	750	750	1000	1000	1000	1100

Part Numbers for Jack Kits correspond to Key Letters on parts list drawing.

To determine correct kit number(s) for Pedalifts and Stackers:

- A) Find the kit(s) required by using Key Letter(s) on drawing.
- B) Locate six digit part number for your model.
- C) The model number indicates the height of the unit. The two numbers that follow two to four letters specifies the height (ie. SPL-60-24-24 is a Stacker with a height of 60")
- D) Match kit part number in column for unit height.

Hydraulic Jack Parts Drawing



NOTES:

- (A) Parts with (*) shown comprise "Seal Kit".
- (B) Three blocks marked "C" are sold only as one Kit: "Pumping/Release Valve Assembly".
- (C) Parts available only in assemblies or kits shown on this drawing.