

Blower Accessory 2901 and 2907

This blower accessory is installed on furnace top and increases circulation of warm air through heated space. A 115V outlet adjacent to the furnace is required. For automatic setting, you must select "HI" or "LOW" position. When the furnace heats up, the automatic fan switch will be activated and the fan will operate. The blower accessory will not operate if fan switch is set in "OFF" (center) position. Be sure this accessory is of the type and design required for use with your furnace.

1. Turn off electric power supply at disconnect switch, fuse box or service panel before installation or service of the blower accessory.
2. Label all wires prior to disconnection when servicing. Wiring errors can cause improper and dangerous operation. Verify proper operation after servicing.
3. Install 115V electrical outlet as shown in Figure A.
4. Remove two (2) screws securing blower grille and remove blower grille as shown in Figure B.
5. Remove two (2) screws securing junction box cover. Remove cover to gain access to knockout located in junction box.
6. Locate knockout and remove using a hammer and screwdriver.
7. Place blower body on furnace top as shown in Figure B.
8. Route 115V wiring into junction box through knockout.
9. Make wiring connection inside junction box as shown in Figure C. Follow applicable local and national electrical codes. All electrical work must conform to your local codes and ordinances or in their absence, with National Electrical Code, NFPA 70/ANSI. If you are not familiar with wiring codes in general, have a competent electrician do this job.
10. Drill 1/8 inch diameter hole in each side of the furnace face panel through the holes on the sides of the fan cabinet. Secure the blower to the furnace with the two screws provided.
11. Replace junction box cover, securing with screws previously removed.
12. Replace blower grille, securing with screws previously removed.
13. Set switch to desired position. If left in "HI" or "LOW" position during summer months, blower could be activated by heat. If this is undesirable, set switch to "OFF" position.

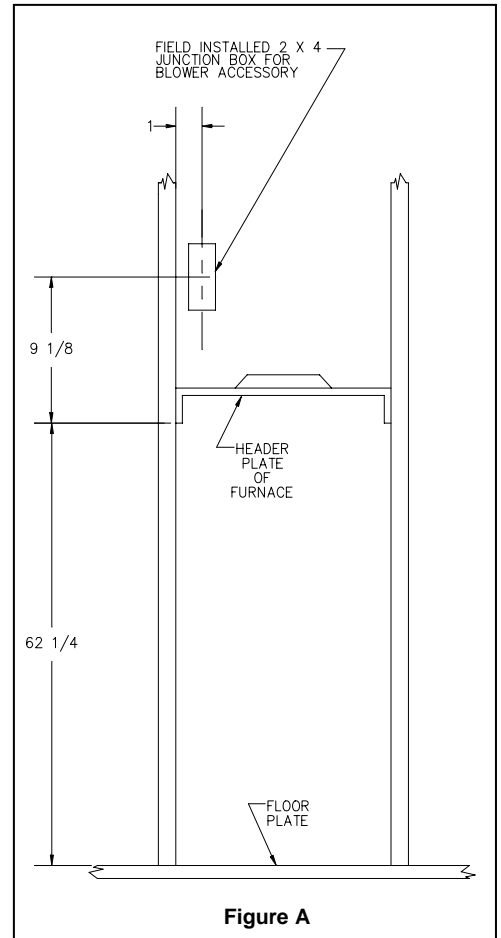


Figure A

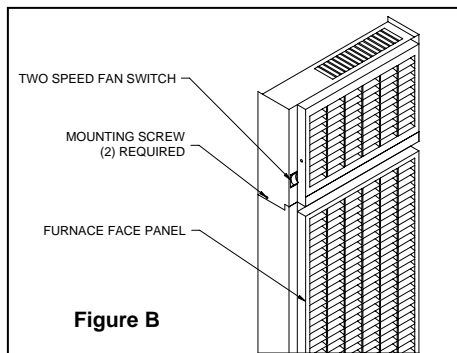
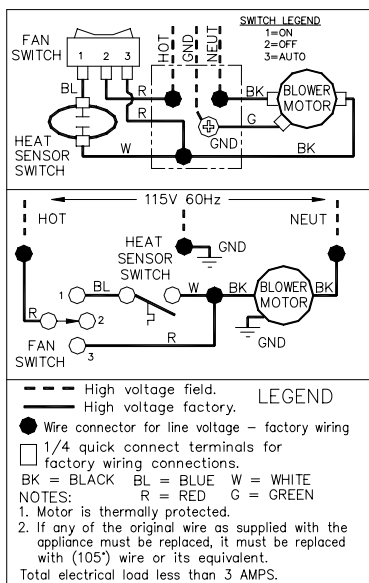
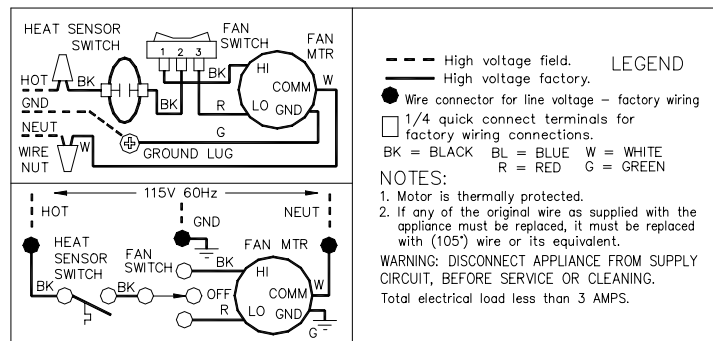


Figure B



**Figure C
Model 2907**



**Figure C
Model 2901**

CAUTION: Danger of property damage, bodily injury or death. Turn off electric power supply at disconnect switch, fuse box or service panel before removing or working on fan cabinet.

Blower Accessory 2901 and 2907

Model 2901		
Ref. No.	Part No.	Description
1	P013200	Screw - #8A x 3/8 (8)
2	9C99	Blower Grille
3	P093200	Screw - #8B x 3/8 (3)
4	P141000	Screw - #10 x 1/2
5	P320911A	Toggle Switch
6	P320912	Wire Bridle
7	P127300	Flat Washer-#10-32 (2)
8	P041100	Machine Nut - #8-32 w/Washer (2)
9	9C102	Blower Body
10	P321078	Motor Mount Grommet (2)
11	P012900	Strain Relief Bushing
12	P323095	Fan Switch
13	P029200	Screw - #6-32 x 5/16
14	P320905	Motor
15	P320907	Fan Blade
16	9D12-1	Orifice Plate
17	9B161	Junction Box Cover

Model 2907		
Ref. No.	Part No.	Description
1	9C99	Blower Grille
2	9B246	Orifice Plate
3	9B248	Wire Assemblies
4	P321842	Blower and Motor
5	P320912	Heat Sensor Wire Assembly
6	9A483	Junction Box Cover
7	P323080	Fan Switch
8	9B249	Blower Body
9	P323095	Heat Sensor Switch

