



Z1370

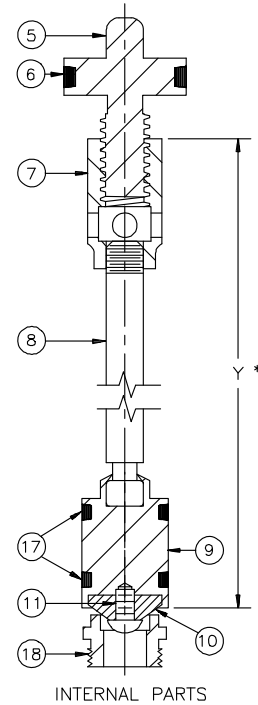
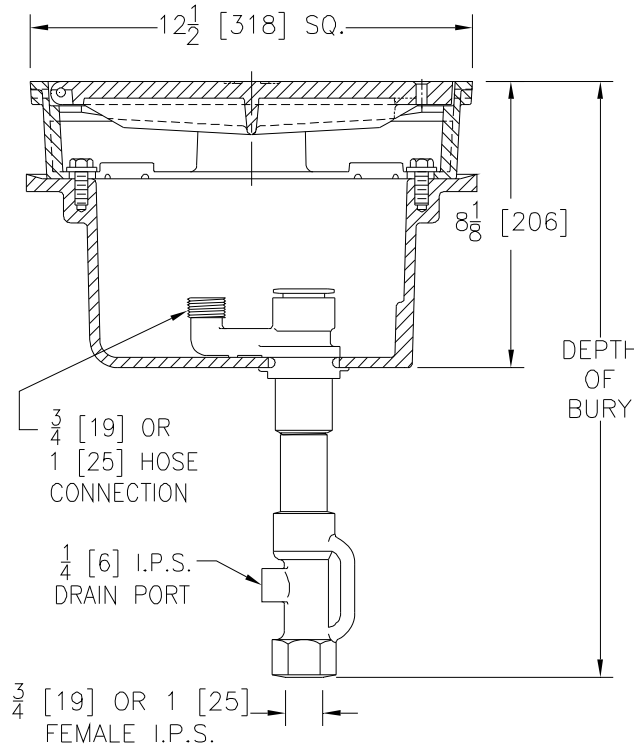
GROUND HYDRANT

Encased, Hose Storage, Non-Freeze

SPECIFICATION SHEET

TAG _____

Dimensional Data (inches and [mm]) are Subject to Manufacturing Tolerances and Change Without Notice



| Depth of Bury Feet | Approx. Wt. Lbs. [kg] |
|--------------------|-----------------------|
| 2 [610] | 81 [37] |
| 3 [914] | 85 [39] |
| 4 [1219] | 89 [40] |
| 5 [1524] | 93 [42] |
| 6 [1829] | 97 [44] |
| 7 [2134] | 101 [46] |
| 8 [2438] | 105 [48] |
| 9 [2743] | 109 [49] |
| 10 [3048] | 113 [51] |

ENGINEERING SPECIFICATION: ZURNZ1370

Encased, non-freeze ground hydrant, for flush with grade or finished floor installation. Complete with galvanized steel casing, all bronze interior parts, bronze seat and replaceable seat washer, and non-turning operating rod with free-floating compression closure valve. Dura-Coated Cast iron box provides hose storage and is complete with scoriated hinged cover with operating key lock. Hydrant is equipped with a tapped $\frac{1}{4}$ [6] drain port in valve housing. (Hose should always be disconnected for storage.)

Note:

- IMPORTANT** Hydrant must be opened one turn minimum to seal drain port during use.

CONNECTION TYPE:

- _____ $\frac{3}{4}$ [19] Hose Connection
- _____ 1 [25] Hose Connection

OPTIONS (Check/specify appropriate options)

SUFFIXES

- _____ -BC Bronze Casing
- _____ -DP12 $\frac{1}{2}$ [13] IP Drain Port in Box
- _____ -DP14 $\frac{1}{4}$ [6] IP Drain Port in Box
- _____ -DP38 $\frac{3}{8}$ [10] IP Drain Port in Box
- _____ -NB Polished Nickel Bronze Face
(Add $\frac{3}{16}$ [5] to $8\frac{1}{2}$ [216] Dim. and $\frac{3}{4}$ [19] to $12\frac{1}{2}$ [311] Dim.)
- _____ -PB Polished Bronze Face
(Add $\frac{3}{16}$ [5] to $8\frac{1}{2}$ [216] Dim. and $\frac{3}{4}$ [19] to $12\frac{1}{2}$ [311] Dim.)
- _____ -RB Plain Bronze Face
(Add $\frac{3}{16}$ [5] to $8\frac{1}{2}$ [216] Dim. and $\frac{3}{4}$ [19] to $12\frac{1}{2}$ [311] Dim.)
- _____ -RK Hydrant Parts Repair Kit
- _____ -WR "WATER" Cast on Cover

PARTS LIST

| Item | Name | Quan. |
|------|--------------------|-------|
| 5 | Operating Screw | 1 |
| 6 | O-Ring | 1 |
| 7 | Operating Coupling | 1 |
| 8 | Operating Rod | 1 |
| 9 | Washer Guide | 1 |
| 10 | Washer (neoprene) | 1 |
| 11 | Screw | 1 |
| 17 | O-Ring | 2 |
| 18 | Removable Seat | 1 |

*WHEN ORDERING REPLACEMENT PARTS SPECIFY Y DIM.

| | | |
|----------------|-------------------|-----------------|
| REV. H | DATE: 10/22/10 | C.N. NO. 111949 |
| DWG. NO. 58880 | PRODUCT NO. Z1370 | |