

3M-Matic™ Adjustable Case Sealer a20



3M™ AccuGlide™ Taping Head 2+ for low impact sealing that protects cases

Productivity Basic & affordability

Up to 30 cases per minute

When your packaging volume exceeds the limits of manual case sealing, the 3M-Matic™ Adjustable Case Sealer a20 is an affordable increase in productivity for top and bottom sealing of RSCs. With quick, easy adjustments you can seal a wide range of case heights and sizes. Features include:

- Reliable motor drive for box after box dependability
 - Dual masts for taping head stability
 - Designed for use with the full range of 36-48mm (1.5-2") Scotch® Box Sealing Tapes
 - Laced belts with traction grip for reliable feeding, easy replacement
 - Emergency stop centrally located for quick and easy access
 - Epoxy powder painted surface for in-plant durability
 - Side guides adjustable to center cases of various widths for length of unit
- Options: Casters, conveyors, box hold down, and compression rollers to push the top flaps together for a better tape seal.

Box capacities

- Length: 6" to no limit
(150mm to no limit)
- Width: 6" to 21.5"
(150mm to 550mm)
- Height: 4.75" to 21.5"
(120mm to 550mm)
- Weight: 5-65 lbs.
(2.3-29.5 kg)

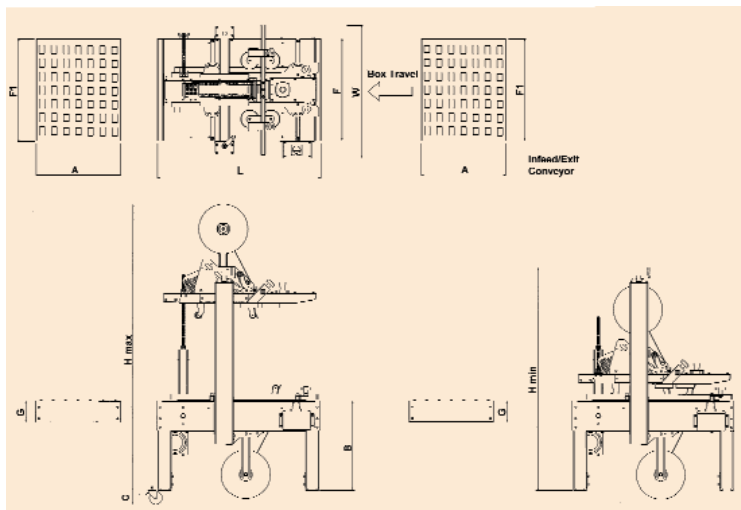


Specifications

3M™ 3M-Matic™ Case Sealer a20



a20 Footprint



Machine	Tape Size Inches (mm)	Machine Weight Lbs. (kg)	Machine Dimensions Inches (mm)							Electrical	Operating Rate	Drive Belt Speed		
			W	L	H		A*	B					C**	F
					Min	Max		Min	Max					
a20	1.5-2 (36-48)	240*** (109)	32 (805)	39.5 (1000)	53.5 (1355)	68.5 (1740)	18.1 (460)	21.5 (545)	31.5 (800)	4.2 (106)	24.5 (620)	115V 60Hz 3.8A 440 watts 8' cord	Up to 30 per minute depending on box length	75 fpm (.38 m/s)

* Optional infeed/exit conveyors ** Optional casters ***Unpacked
Use with clean dry boxes in dry, relatively clean environments at 40°F to 120°F (4.4°C to 48.9°C).

Machine	Box Capacities Inches (mm)			Weight Range Lbs. (kg)
	Length Min Max	Width Min Max	Height Min Max	

Contact your 3M representative for special modifications that may be available for sizes not listed.
* 3.75" (90mm) with taping heads adjusted to apply 2" (50mm) tape leg lengths and mast stops relocated.
Note: This technical information and data should be considered representative or typical only and should not be used for specification purposes.

Note: The 3M-Matic™ Adjustable Case Sealer a20 can accommodate most boxes within the size range listed here.

However, if:
Box Length in Direction of Seal
Box Height
is less than .75

Boxes should be test run to ensure proper machine performance.



Product Use: User is responsible for determining whether the product is fit for a particular purpose and suitable for user's method of application.

Warranty and Limited Remedy: THE FOLLOWING WARRANTIES ARE MADE IN LIEU OF ALL OTHER WARRANTIES, EXPRESS OR IMPLIED, INCLUDING, BUT NOT LIMITED TO THE IMPLIED WARRANTY OF MERCHANTABILITY, THE IMPLIED WARRANTY OF FITNESS FOR A PARTICULAR PURPOSE AND ANY IMPLIED WARRANTY ARISING OUT OF A COURSE OF DEALING, A CUSTOM OR USAGE OF TRADE: 3M sells its 3M-Matic™ Case Sealer a20 with the following warranties: 1) The Taping Head knife blades, springs and rollers will be free from all defects for ninety (90) days after delivery. 2) All other Taping Head parts will be free from all defects for three (3) years after delivery. 3) All other parts will be free from all defects for two (2) years after delivery. Please refer to individual data pages for additional details and exceptions. If any 3M-warranted part is proved to be defective within its warranty period, then the exclusive remedy and 3M's and seller's sole obligation shall be, at 3M's option, to repair or replace the part, provided the defective part is returned immediately to 3M's factory or an authorized service station designated by 3M. A part will be presumed to have become defective after its warranty period unless the part is received or 3M is notified of the problem no later than five (5) calendar days after the warranty period. If 3M is unable to repair or replace the part within a reasonable time, then 3M, at its option, will replace the equipment or refund the purchase price. 3M shall have no obligation to provide or pay for the labor required to install the repaired or replacement part. 3M shall have no obligation to repair or replace (1) those parts failing due to operator misuse, carelessness, or due to any accidental cause other than equipment failure, or (2) parts failing due to non-lubrication, inadequate cleaning, improper operating environment, improper utilities or operator error. **Limitation of Liability:** 3M and seller shall not be liable for direct, indirect, special, incidental or consequential damages based upon breach of warranty, breach of contract, negligence, strict liability or any other legal theory. The foregoing Warranty and Limited Remedy and Limitation of Liability may be changed only by a written agreement signed by authorized officers of 3M and seller.



Industrial and Transportation Business Industrial Adhesives and Tapes Division

Bldg. 21-1W-10
900 Bush Ave.
St. Paul, MN 55106
1-800-362-3550
www.3M.com/packaging

3M, 3M-Matic and AccuGlide are trademarks of 3M Company.

Scotch® is a registered trademark of 3M Company.

Printed in U.S.A.
© 3M 2007
70-0710-0358-9