



Instructions and Parts List

3M-Matic™

800ab

Type 39600

Adjustable

Case Sealer

with

AccuGlide™ II

Taping Heads

Serial No. _____
For reference, record machine serial number here.

3M Masking and Packaging Systems Division

3M Center Bldg. 220-8W-01
St. Paul, MN 55144-1000



Important Safety Information

Read "Important Safeguards", pages 3-5 and also operating "Warnings", page 16 BEFORE INSTALLING OR OPERATING THIS EQUIPMENT.

Spare Parts

It is recommended you immediately order the spare parts listed on page 27. These parts are expected to wear through normal use and should be kept on hand to minimize production delays.

"3M-Matic" and "AccuGlide" are Trademarks of 3M, St. Paul, MN 55144-1000

Litho in U.S.A.

© 3M 1997 44-0009-1910-8(A97.750)

To Our Customers:

This is the 3M-Matic™/AccuGlide™/Scotch™ brand equipment you ordered. It has been set up and tested in the factory with "Scotch" brand tapes. If technical assistance or replacement parts are needed, call or Fax the appropriate number listed below.

Included with each machine is an Instructions and Parts List manual.

Technical Assistance:

3M-Matic™ Helpline – 1-800/328 1390. Please provide the customer support coordinator with the machine number, machine type/model and serial number. If you have a technical question that does not require an immediate response, you may Fax it to 715/381 0248.

Replacement Parts and Additional Manuals

Order parts by part number, part description and quantity required. Also, when ordering parts and/or additional manuals, include machine name, number and type. A parts order form is provided at the back of this manual.

3M/Tape Dispenser Parts

241 Venture Drive

Amery, WI 54001-1325

1-800/344 9883

FAX# 715/268 8153

Minimum billing on parts orders will be \$25.00. Replacement part prices available on request.

\$10.00 restocking charge per invoice on returned parts.

Note : Outside the U.S., contact the local 3M subsidiary for parts ordering information.



3M Packaging Systems Division

3M Center, Building 220-8W-01
St. Paul, MN 55144-1000

"3M-Matic", "AccuGlide" and "Scotch" are trademarks of
3M, St. Paul, Minnesota 55144-1000

Printed in U.S.A.

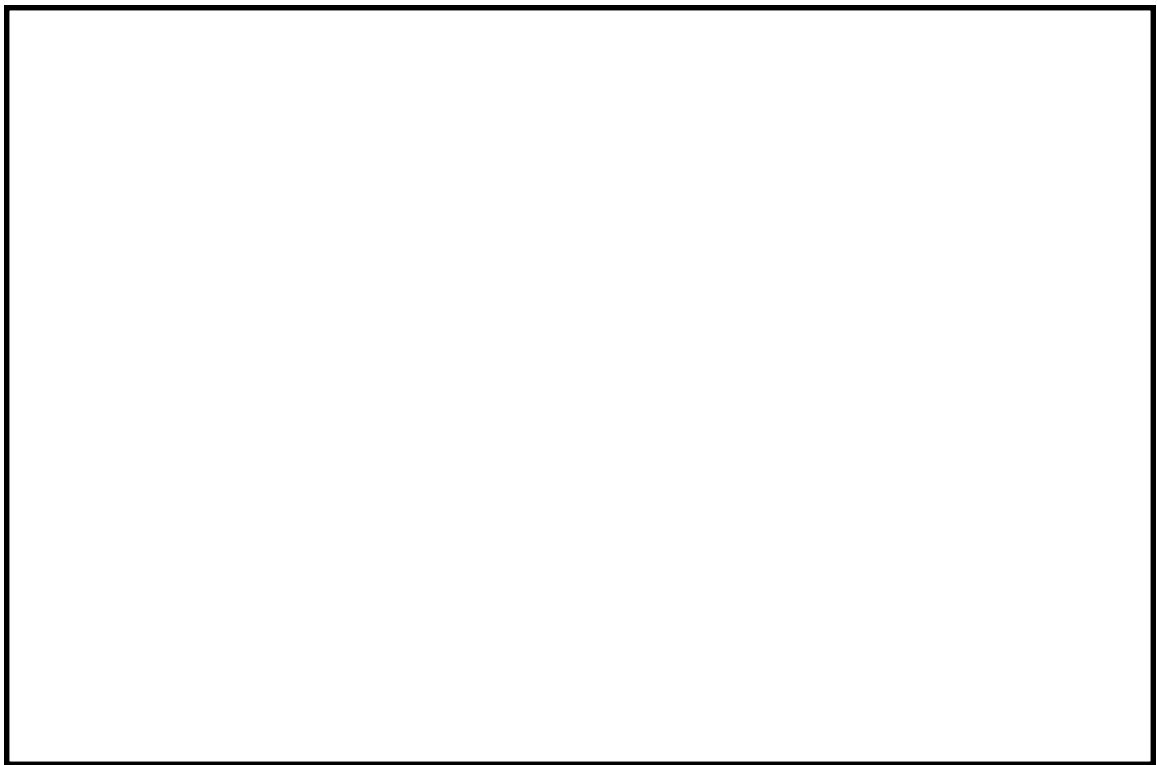
© 3M 1999 44-0009-1851-4(E79.0)

To Our Customers:

This is the 3M-Matic™/AccuGlide™/Scotch™ brand equipment you ordered. It has been set up and tested in the factory with "Scotch" brand tapes. If any problems occur when operating this equipment, and you desire a service call, or phone consultation, call, write or Fax the appropriate number listed below.

Included with each machine is an Instructions and Parts List manual.

**SERVICE, REPLACEMENT PARTS AND ADDITIONAL MANUALS
AVAILABLE DIRECT FROM:**



Order parts by part number, part description and quantity required. Also, when ordering parts and/or additional manuals, include machine name, number and type.



3M Packaging Systems Division

3M Center, Building 220-8W-01
St. Paul, MN 55144-1000
1-800/328 1390

"3M-Matic", "AccuGlide" and "Scotch" are trademarks of
3M, St. Paul, Minnesota 55144-1000

Printed in U.S.A.

© 3M 1999 44-0009-1852-2(D79.0)

Instruction Manual

800ab Adjustable Case Sealer, Type 39600

This instruction manual is divided into two sections as follows:

- Section I** Includes all information related to installation, operation and parts for the case sealer.
Section II Includes specific information regarding the AccuGlide™ II STD 2 Inch Taping Head.

Table of Contents	Page
Section I – 800ab Adjustable Case Sealer	
Intended Use	1
Equipment Warranty and Limited Remedy	2
800ab Contents	2
Safety Labels	3 - 5
Specifications	7 - 9
Installation and Set-Up	11 - 13
Receiving and Handling	11
Machine Set-Up	11 - 13
Packaging and Separate Parts	11 - 13
Machine Bed Height	13
Tape Width	13
Tape Leg Length	13
Electrical Connection and Controls	13
Initial Start-Up of Case Sealer	13
Operation	15 - 18
Operation "Warnings"	16
Electrical On/Off Switch	16
Emergency Stop Switch	16
Tape Loading/Threading	16
Box Size Set-Up	17
Box Sealing	18
Maintenance	19 - 21
Cleaning	19
Lubrication	19
Knife Replacement, Taping Head	19
Circuit Breaker	20
Drive Belts, Replacement/Tension Adjustment	20 - 21

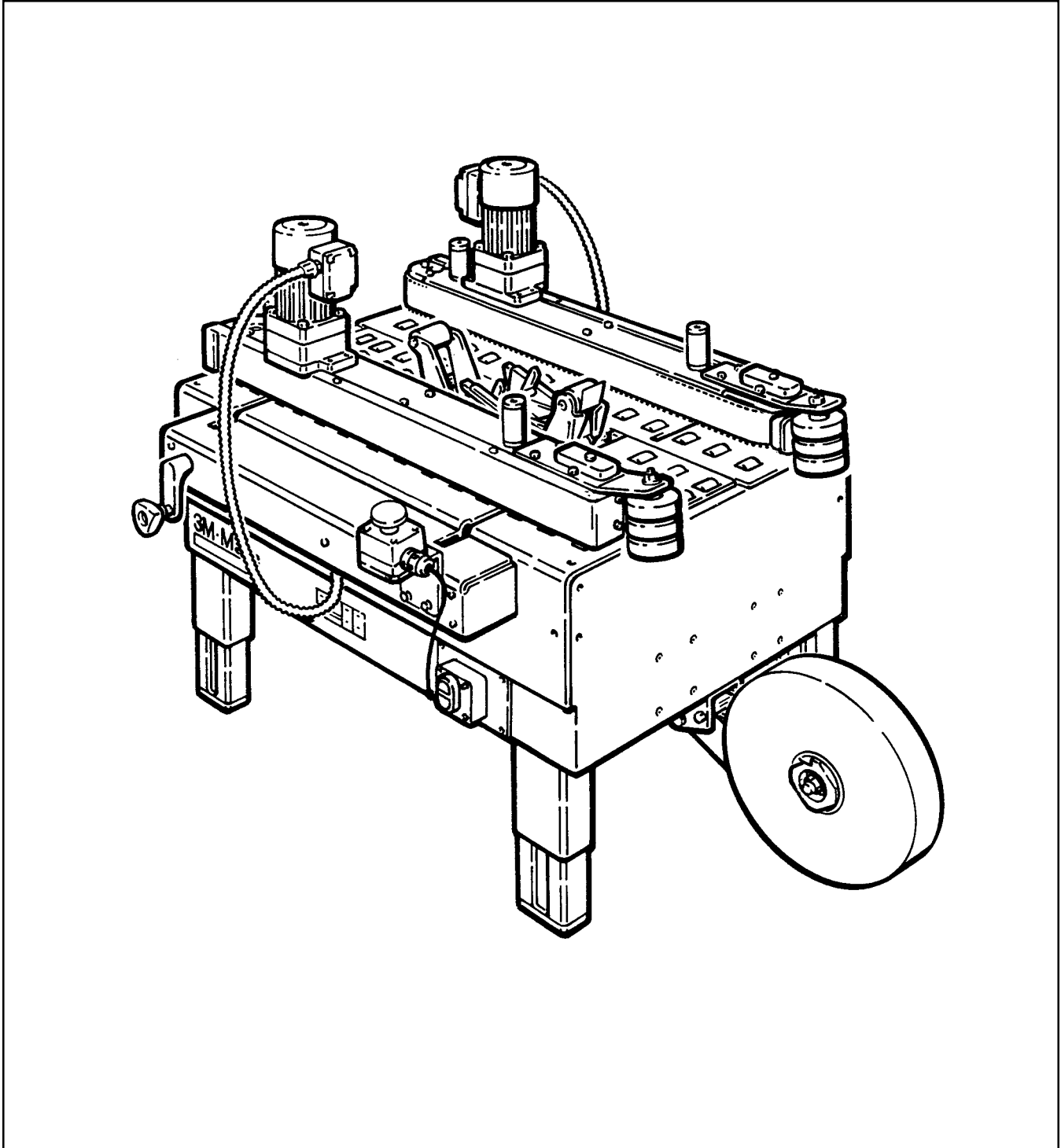
(Continued)

Table of Contents (Continued)	Page
Adjustments	22
Drive Belt Tension	22
Taping Head Adjustments	22
Special Set-Up Procedure	23 - 24
Changing Tape Leg Length	23
Case Sealer Frame	23
Taping Head	23
Drive Belt Assembly Height	23 - 24
Disassemble	23
Reassemble	24
Troubleshooting	25
Troubleshooting Guide	25
Electrical Diagram	26
Spare Parts/Tools/Label Kit	27
Options/Accessories	28
Replacement Parts Illustrations and Parts Lists	29 - 51

Section II – AccuGlide™ II STD 2 Inch Taping Head

Intended Use

The intended use of the **3M-Matic™ 800ab Adjustable Case Sealer** with **AccuGlide™ II Lower Taping Head** is to automatically seal the bottom center seam of regular slotted containers. The case sealer is manually adjustable to a wide range of box sizes (see Box Weight and Size Capacities, page 8). The machine has been designed and tested for use with **Scotch™** brand pressure-sensitive film box sealing tapes.



3M-Matic™ 800ab Adjustable Case Sealer, Type 39600

Equipment Warranty and Limited Remedy: THE FOLLOWING WARRANTY IS MADE IN LIEU OF ALL OTHER WARRANTIES, EXPRESS OR IMPLIED, INCLUDING, BUT NOT LIMITED TO, THE IMPLIED WARRANTY OF MERCHANTABILITY, THE IMPLIED WARRANTY OF FITNESS FOR A PARTICULAR PURPOSE AND ANY IMPLIED WARRANTY ARISING OUT OF A COURSE OF DEALING, A CUSTOM OR USAGE OF TRADE:

3M sells its **3M-Matic™ 800ab, Type 39600** with the following warranties:

1. The drive belts and the taping head knives, springs and rollers will be free from all defects for ninety (90) days after delivery.
2. All other taping head parts will be free from all defects for three (3) years after delivery.
3. All other parts will be free from all defects for two (2) years after delivery.

If any part is proved to be defective within its warranty period, then the exclusive remedy and 3M's and seller's sole obligation shall be, at 3M's option, to repair or replace the part, provided the defective part is returned immediately to 3M's factory or an authorized service station designated by 3M. A part will be presumed to have become defective after its warranty period unless the part is received or 3M is notified of the problem no later than five (5) calendar days after the warranty period. If 3M is unable to repair or replace the part within a reasonable time, then 3M at its option, will replace the equipment or refund the purchase price. 3M shall have no obligation to provide or pay for the labor required to install the repaired or replacement part. 3M shall have no obligation to repair or replace (1) those parts failing due to operator misuse, carelessness, or due to any accidental cause other than equipment failure, or (2) parts failing due to non-lubrication, inadequate cleaning, improper operating environment, improper utilities or operator error.


Limitation of Liability: 3M and seller shall not be liable for direct, indirect, special, incidental or consequential damages based upon breach of warranty, breach of contract, negligence, strict liability or any other legal theory.

The foregoing Equipment Warranty and Limited Remedy and Limitation of Liability may be changed only by a written agreement signed by authorized officers of 3M and seller.

800ab Contents

- (1) 800ab Adjustable Case Sealer, Type 39600
- (1) Tool Kit
- (1) Instruction Manual

Important Safeguards

 This safety alert symbol identifies important messages in this manual. **READ AND UNDERSTAND THEM BEFORE INSTALLING OR OPERATING THIS EQUIPMENT.**

Important – In the event the following safety labels are damaged or destroyed, they must be replaced to ensure operator safety. For safety and information replacement labels, see Parts Illustrations/Lists, Section I, pages 50 and 51.

The "**Warning – Hazardous Voltage**" label, shown in **Figure 1-2**, is attached to the cover of the electrical box. The label warns service personnel to unplug the power supply before attempting any service work on the case sealer.



Figure 1-2 – Electrical Warning Label

The two "**Warning – Keep Away From Moving Belts**" labels, shown in **Figure 1-1**, are located on the side of the drive belt assemblies at the infeed end. The labels warn operators and service personnel to keep hands away from this area when the drive belts are running.



Figure 1-1 – Hands Warning Label

The "**Caution – Pinch Point**" label, shown in **Figure 1-3**, is attached to the top, infeed end of both drive belt assemblies. The label reminds operator to keep hands away from compression rollers when machine is running.



Figure 1-3 – Pinch Point Caution Label

Important Safeguards (Continued)

The "Stop" and "Off/On" labels, are attached next to the switches as shown in **Figure 1-4**. These labels remind operators and casual personnel of the function of these switches.

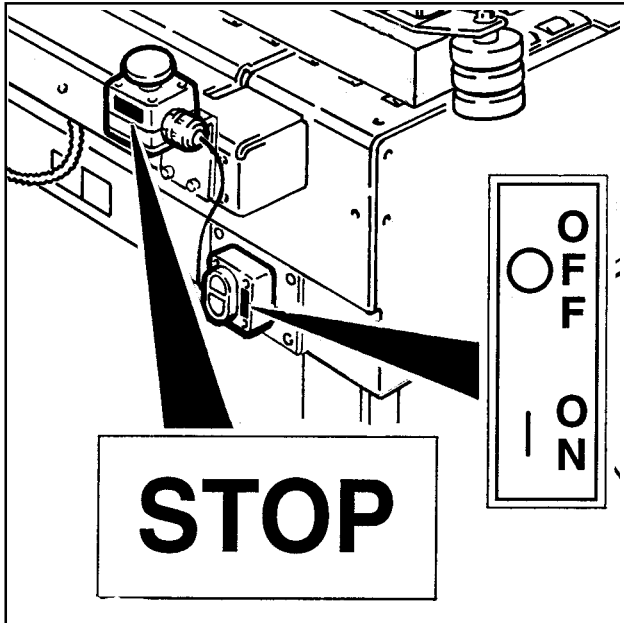


Figure 1-4 – Stop and Off/On Labels

The "Operating Notice" label, shown in **Figure 1-6**, is located on top of both drive belt assemblies to remind operators of belt adjustment procedures.

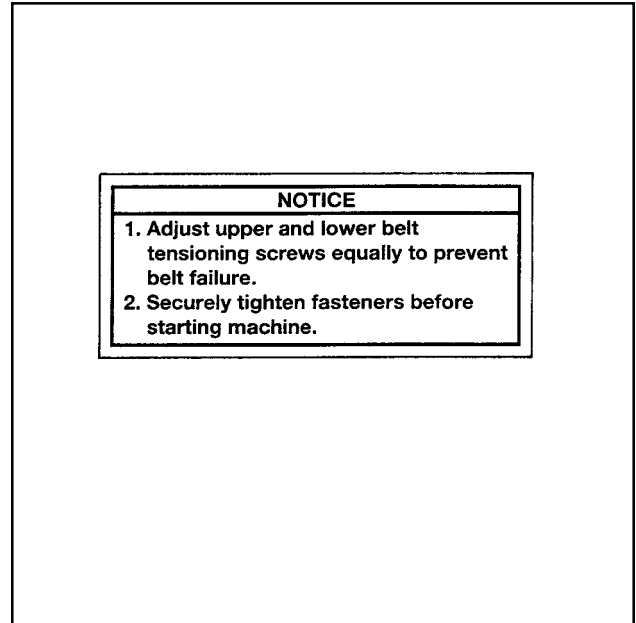


Figure 1-6 – Operating Notice Label

The "Safety Instructions" label, shown in **Figure 1-5**, is attached to the top of the left drive belt assembly. The label provides convenient safeguard instructions for the operator and service personnel.

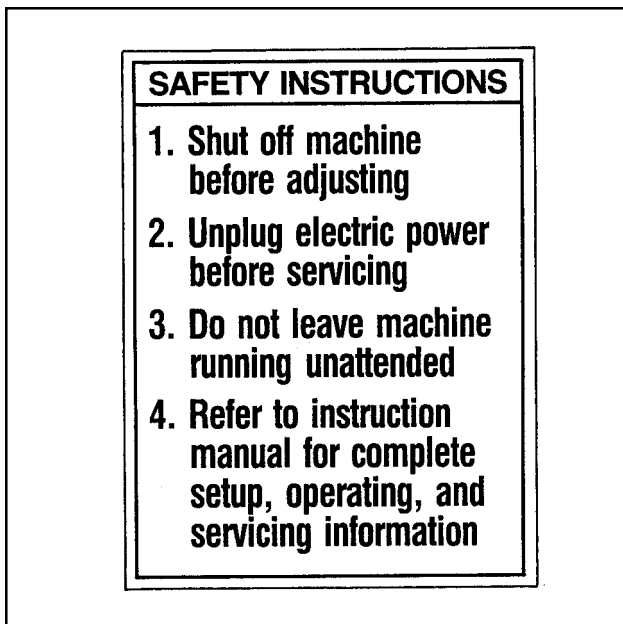


Figure 1-5 – Safety Instructions Label

The "Out/In" label, shown in **Figure 1-7**, is attached next to the crank handle that moves the belts in and out to match box width.

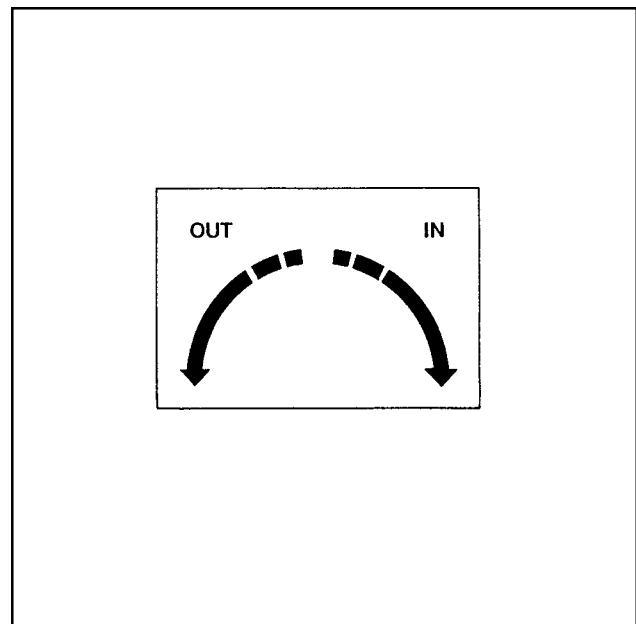


Figure 1-7 – Operating Labels

Important Safeguards (Continued)

The following labels are located on the lower taping head. Replacement part numbers for these two labels are listed in Section II.

The "**Warning-Sharp Knife**" label warns operators and service personnel of the extremely sharp knife used to cut the tape at the end of the box sealing operation. The label, shown in **Figure 1-8**, is located on the orange knife guard between the applying roller assembly and the buffing roller assembly. **Never operate taping head with knife guard removed.**

Before working with the taping head or loading/threading tape, refer to Figures 3-1 and 3-2, in Section II, to identify the knife location. **Keep hands out of these areas except as necessary to service the taping head or to load/thread tape.**

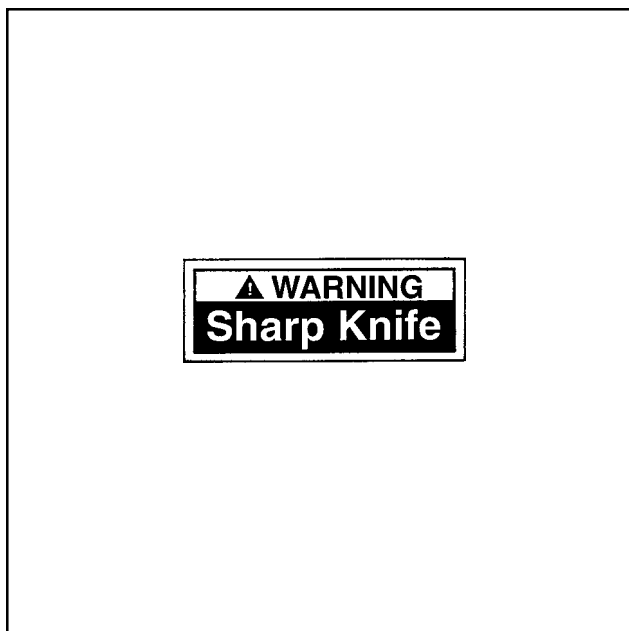


Figure 1-8 – Knife Warning Label

The "**Tape Threading Label**" shown in **Figure 1-9**, is attached to the left side of the lower taping head. This label provides a convenient tape threading diagram. More detailed tape loading and threading information is provided in the "Operation" section of this manual.

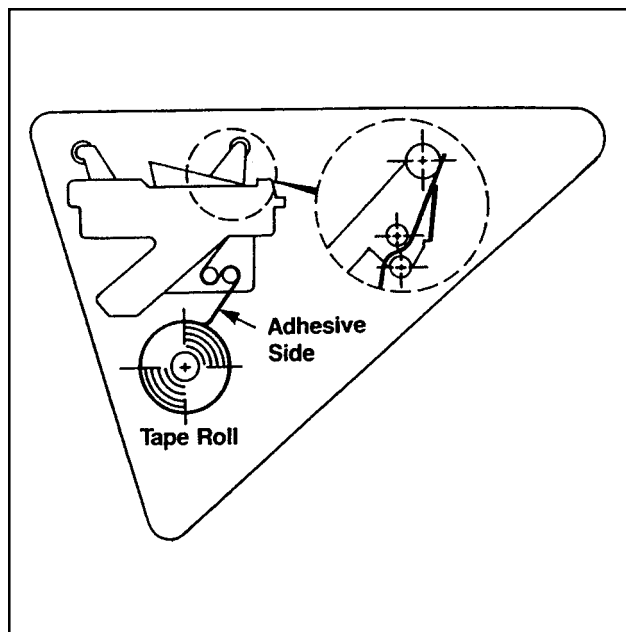


Figure 1-9 – Tape Threading Label

THIS PAGE IS BLANK

Specifications

1. Power Requirements:

Electrical – 115 VAC, 60 Hz, 3.8 A

These machines are equipped with an 2.4 m [8 foot] standard neoprene covered power cord and a grounded plug.

Contact your 3M Representative for power requirements not listed above.

2. Operating Rate:

Belt speed is 0.40 m/s [78 ft/min]

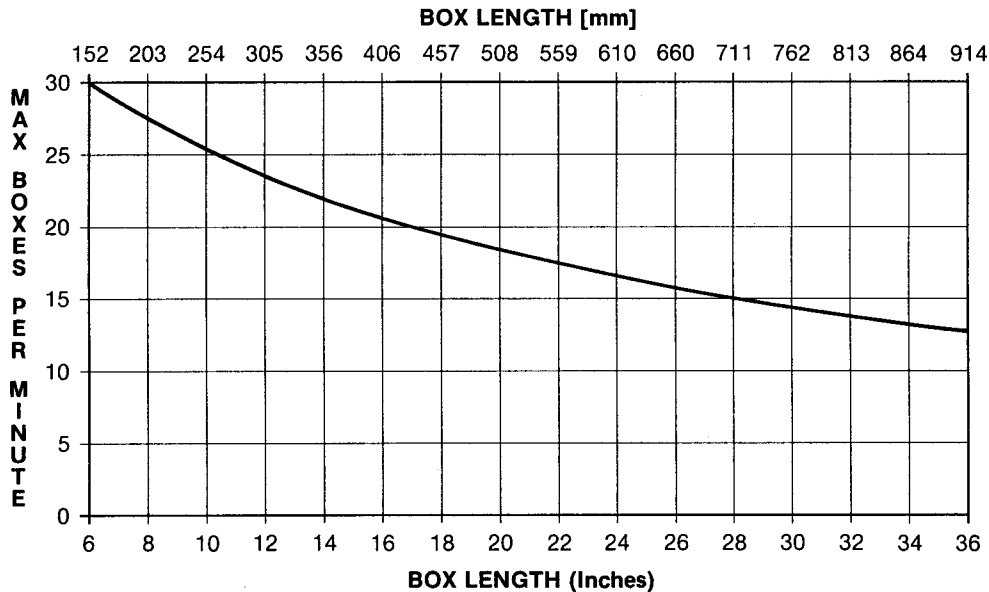
5. Tape Width:

Minimum – 36 mm [1-1/2 inches]
Maximum – 48 mm [2 inches]

6. Tape Roll Diameter:

Up to 405 mm [16 inches] maximum on a 76.2 mm [3 inches] diameter core. (Accommodates all system roll lengths of **Scotch™** brand film tapes.)

BOXES PER MINUTE VS. BOX LENGTH



Actual production rate is dependent on operator's dexterity.

Boxes must be 18 inches [455mm] apart minimum.

3. Operating Conditions:

Use in dry, relatively clean environments at 5° to 40° C [40° to 105° F] with clean, dry boxes.

Important – Machine should not be washed down or subjected to conditions causing moisture condensation on components.

4. Tape:

Scotch™ brand pressure-sensitive film box sealing tapes.

7. Tape Leg Length (Standard):

70 mm ± 6 mm [2-3/4 inches ±1/4 inch]

Tape Leg Length (Optional):

48 mm ± 6 mm [2 inches ±1/4 inch]
(To change tape leg length to 48 mm [2 inches], see "Special Set-Up Procedures", page 23.)

8. Box Board:

Style – regular slotted containers – RSC
Bursting test –125 to 275 P.S.I. single wall or double wall B or C flute.

(Specifications continued on next page)

Specifications (Continued)

9. Box Weight and Size Capacities:

Weight

Maximum – up to 38.6 kg [85 pounds]

Minimum – contents must support top flaps and weight must be sufficient to hold bottom flaps fully closed.

Box Size

MINIMUM

- Length – 150 mm [6 inches]
- Width – 115 mm [4-1/2 inches]
- Height – 120 mm [4-3/4 inches]

MAXIMUM

- Length – unlimited
- Width – 545 mm [21-1/2 inches]
- Height – Limited by stability of box through case sealer

Note: The case sealer is designed to accommodate most boxes complying with the 1976 FBA and PMMI* voluntary standard "Tolerances for Top Opening" regular slotted corrugated containers (RSC). Two of the requirements of the standard are the following:

The box length is not more than twice the box width.

The box length is not more than four times the box depth.

DETERMINE THE BOX LIMITATIONS BY COMPLETING THIS FORMULA:

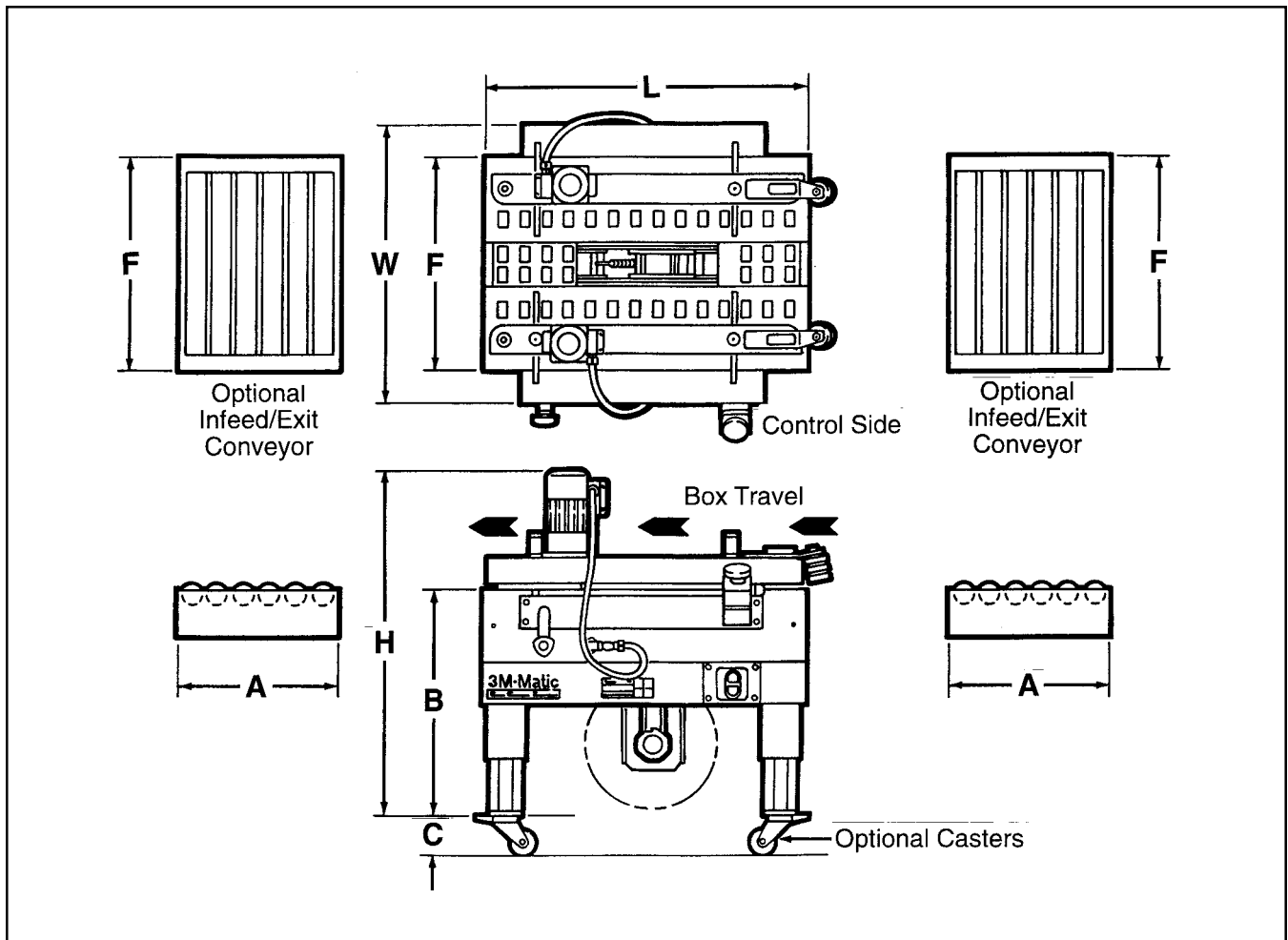
**Box Length In
Direction Of Seal Must Be Greater Than .6
Box Height**

If any of the above criteria are not met boxes should be test run to assure proper machine performance.

* Fibre Box Association, Packaging Machinery
Manufacturer's Association

(Specifications continued on next page.)

Specifications (Continued)



Machine Dimensions

	W	L	H	A	B	C	F
Minimum							
mm [Inches]	825 [32-1/2]	920 [36-1/4]	940 [37]	460 [18]	610 [24] *	105 [4-3/16]	620 [24-1/2]
Maximum							
mm [Inches]	--	--	1220 [48] *	--	890 [35] *	--	--
			1270 [50]**				

* With drive belt assembly in normal position

** With drive belt assembly in upper position
(See "Special Set-Up Procedure", page 23)

Weight — approximate 132 kg [290 pounds] crated
approximate 114 kg [250 pounds] uncrated

11. Set-Up Recommendations:

- > Machine must be level.
- > Customer supplied infeed and exit conveyors (if used) should provide straight and level box entry and exit.
- > Exit conveyors (powered or gravity) must convey sealed boxes away from machine.

THIS PAGE IS BLANK

Installation and Set-Up

Receiving And Handling

After the machine has been uncrated, examine the case sealer for damage that might have occurred during transit. **If damage is evident, file a damage claim immediately** with the transportation company and also your 3M Representative.

Machine Set-Up

Important – Read "Warnings" on page 16, before attempting to set-up the case sealer for operation.

The following instructions are presented in **the order recommended** for setting up and installing the case sealer, as well as **for learning the operating functions and adjustments**. Following them step by step will result in your thorough understanding of the machine and an installation in your production line that best utilizes the many features built into the case sealer. Refer to Figure 3-1 to identify the various components of the case sealer.

Note – A tool kit consisting of metric open end and hex socket wrenches is provided with the machine. These tools should be adequate to set-up the machine, however, other tools supplied by the customer will be required for machine maintenance.

PACKAGING AND SEPARATE PARTS

1. Lift fiberboard cover off pallet after removing staples at bottom.
2. Remove protective wrapping around machine.
3. Remove hardware that secures case sealer legs to pallet.

4. Install inclined rollers onto infeed end of each drive belt assembly. Remove M6 lock nuts (4) and M6 plain washers (4) from each drive assembly, position inclined roller on each drive assembly and fasten with M6 plain washers and M6 locking nuts. See Figure 2-1.

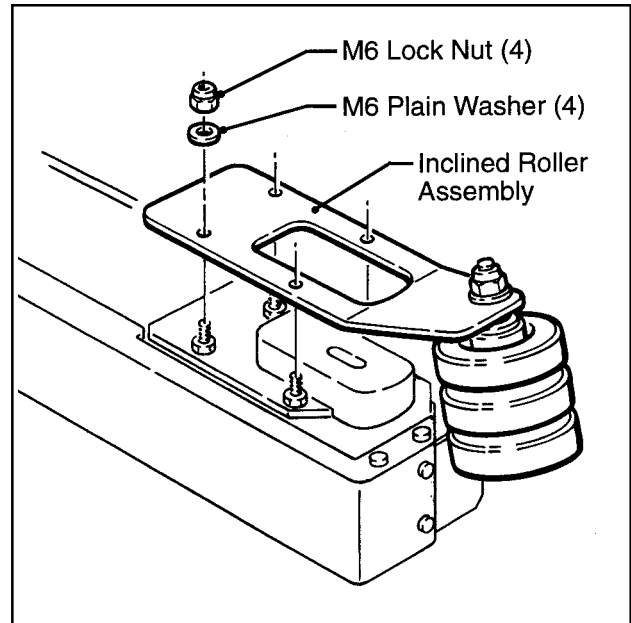


Figure 2-1 – Roller Installation

5. Cut and remove cable tie on lower taping head. (Applying/buffing rollers are held retracted for shipment.)



WARNING – Follow this step carefully as spring pressure is applied to applying and buffing arms when cable tie is removed. Keep hands/fingers AWAY from tape cut-off knife under orange knife guard. Knife is extremely sharp and can cause severe injury.

Hold taping head BUFFING ROLLER and cut and remove cable tie that holds applying/buffing arms retracted. See Figure 2-2. Allow buffing/applying arms to extend slowly.

Installation and Set-Up (Continued)

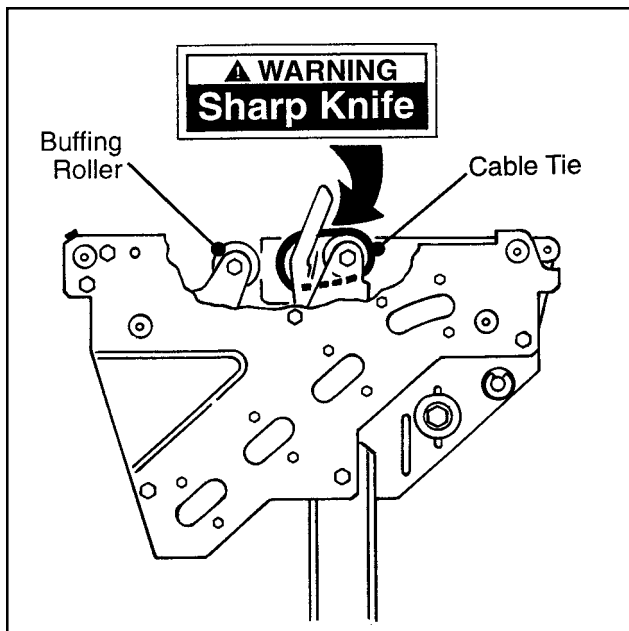


Figure 2-2 – Cable Tie, Taping Head

6. Check for free action of lower taping head.

WARNING – Keep hands/fingers away from tape cut-off knife under orange knife guard. Knife is extremely sharp and can cause severe injury.

Push buffering roller into head to check for free, smooth action of taping head.

7. Ensure that the tape drum bracket assembly is mounted straight down, as shown in Figure 2-3A. The tape drum bracket assembly can be pivoted to provide clearance or for retrofit in certain cases.

Outboard tape roll mounting (Alternate Position)- Remove the tape drum bracket assembly, stud spacer and fasteners from the taping head. Install and secure on the infeed end of the lower frame, as shown in Figure 2-3B.

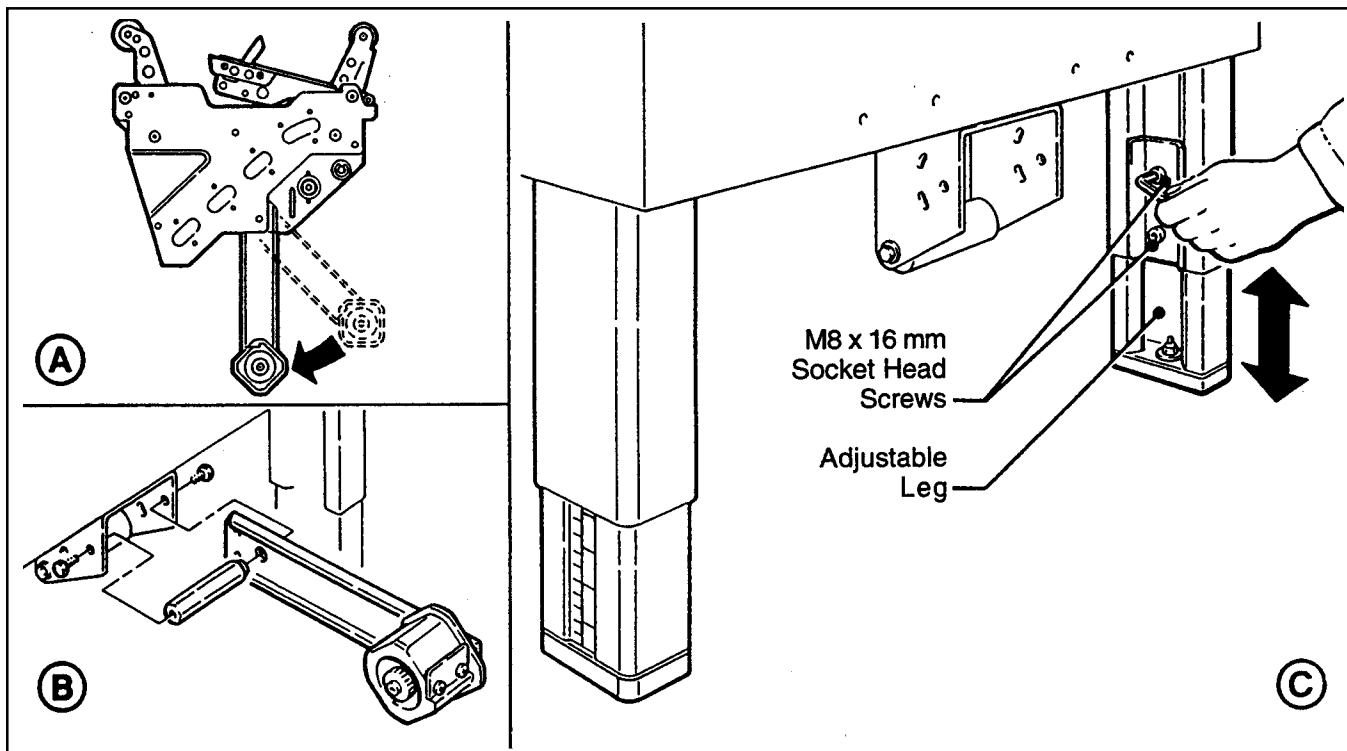


Figure 2-3 – Machine Bed Height Adjustment and Lower Tape Drum Bracket Position

Installation and Set-Up (Continued)

8. Use appropriate material handling equipment to remove the machine from the pallet and move it into position.

Whenever the machine is lifted with a fork truck, insure that the forks span completely across the machine frame and do not contact any wiring or mechanism under the machine frame. In some cases the lower taping head may need to be removed to avoid damage.



CAUTION – Machine weighs approximately 114 kg [250 pounds] uncrated.

9. Continue with the remainder of the installation and set-up procedure on this page.

MACHINE BED HEIGHT

Adjust machine bed height. The case sealer is equipped with four adjustable legs that are located at the corners of the machine frame. The legs can be adjusted to obtain different machine bed heights from 610 mm [24 inches] minimum to 890 mm [35 inches] maximum.

Refer to Figure 2-3C and set the machine bed height as follows:

1. Raise and block up the machine frame to allow adequate leg adjustment.
2. Loosen, but do not remove, two M8 x 16 socket head screws in one leg (use M6 hex wrench). Adjust the leg length for the desired machine bed height. Retighten the two screws to secure the leg. Adjust all four legs equally.

TAPE WIDTH

The taping head has been pre-set to accommodate 48 mm [2 inch] wide tape rolls. To adjust heads for narrower tape, refer to Section II, "Adjustments – Tape Web Alignment", page 11.

TAPE LEG LENGTH

Taping heads are pre-set to apply 70 mm [2-3/4 inch] long tape legs. To change tape legs to 48 mm [2 inch], see "Special Set-Up Procedure – Changing Tape Leg Length", page 23.

ELECTRICAL CONNECTION AND CONTROLS

The electrical control box, shown in Figure 3-1, contains the pre-set circuit breaker and can be located on either side of the machine frame for customer operating convenience. A standard three conductor power cord with plug is provided at the back of the electrical control box for 115 Volt, 60 Hz, 1.9 Amp electrical service. The receptacle providing this service shall be properly grounded. Before the power cord is plugged into 115 Volt, 60 Hz outlet, make sure that all packaging materials and tools are removed from the machine. **Do not plug electrical cord into outlet until ready to run machine.**

Use of an extension cord is not recommended. However, if one is needed for temporary use, it must have a wire size of AWG 16 [1.5 mm dia.], have a maximum length of 30.5 m [100 ft], and must be properly grounded.



WARNING – To prevent shock and fire hazard: Position extension cord where it will be out of the way of foot or vehicle traffic. Extension cord is only for temporary use – do not use for a permanent installation.

Note – Machines outside the U.S. may be equipped with 220/240 Volt, 50 Hz systems, or other electrical requirements compatible with local practice.

INITIAL START-UP OF CASE SEALER

After completing the "Installation and Set-Up" procedure, continue through "Operation" for tape loading and start-up to be sure case sealer is properly adjusted to run boxes.

THIS PAGE IS BLANK

Operation

IMPORTANT – Before operating the case sealer read all the "Important Safeguards", pages 3-5 and "Warnings", on page 16 as well as all of the "Operation" instructions.

Refer to Figure 3-1 to acquaint yourself with the various components of the case sealer and also see Section II, page 6, for taping head components.

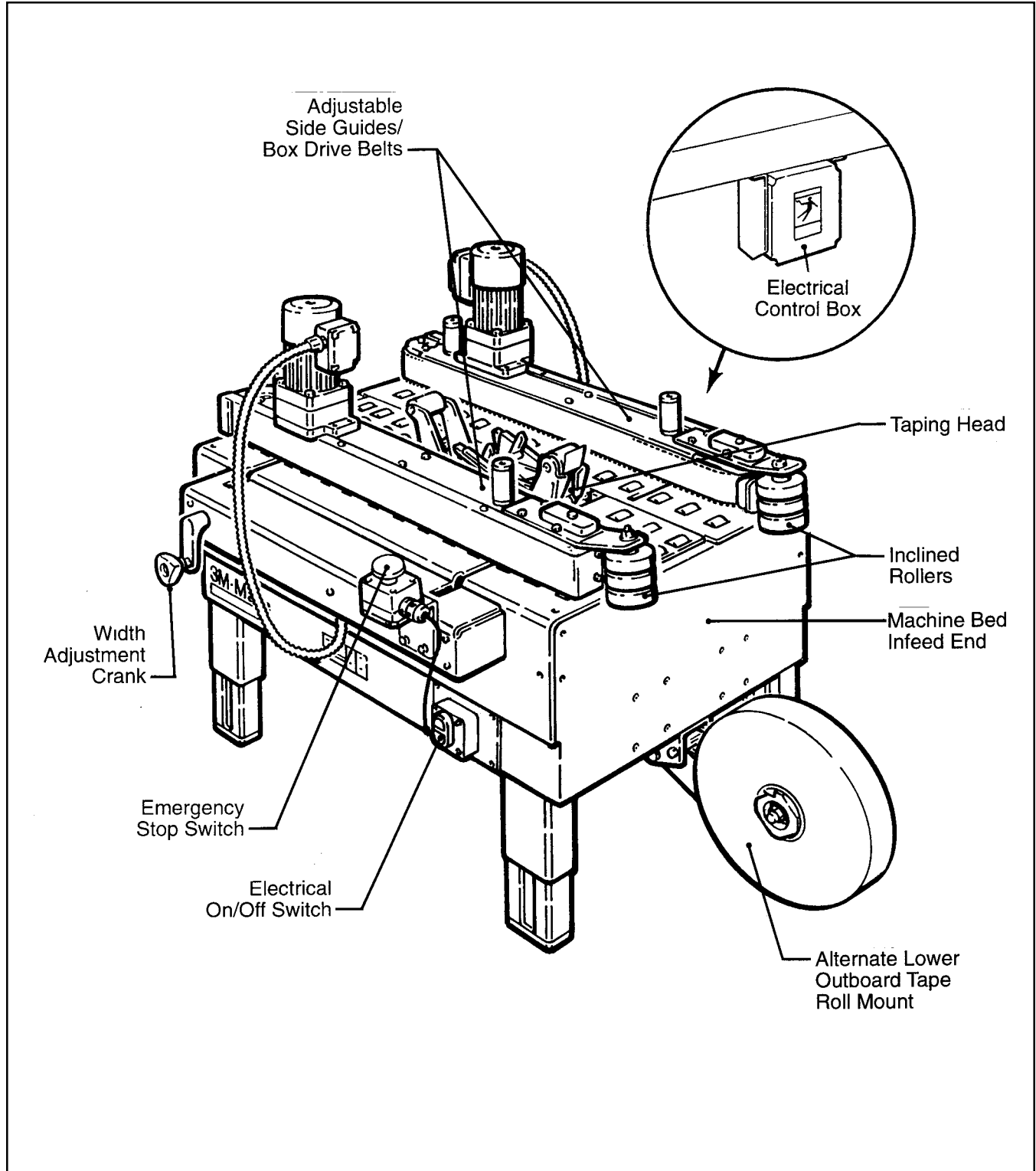


Figure 3-1 – Case Sealer Components, Left Front View

Operation (Continued)



WARNINGS

1. Turn electrical supply off and disconnect before servicing taping head or performing any adjustments or maintenance on the machine.
2. Turn electrical supply off when machine is not in use.
3. Before turning drive belts on, be sure no tools or other objects are on the machine bed.
4. Keep hands and loose clothing away from moving belts.
5. Never attempt to work on any part of the machine, load tape or remove jammed boxes from the machine while machine is running.
6. When feeding boxes to the machine by hand, push box in from end only – DO NOT PUSH WITH HANDS ON ANY CORNER OF THE BOX.
7. Taping head utilizes an extremely sharp tape cut-off knife. The knife is located under the orange knife guard that has the "WARNING – SHARP KNIFE" label. Before loading tape, refer to Section II, page 6, Figure 3-2 to identify the knife location. Keep hands out of this area except as necessary to service the taping head.
8. Keep hands or loose clothing away from compression rollers on infeed end of machine when feeding boxes to machine.
9. Failure to comply with these warnings could result in severe personal injury and/or equipment damage.

Electrical "On/Off" Switch

The box drive belts are turned on and off ("Off" button is red) with the electrical switch on the side of the machine frame.

Note – The case sealer has a circuit breaker located in the electrical enclosure on the lower right side of the machine frame. If circuit becomes overloaded and circuit breaker trips, see "Maintenance – Circuit Breaker", page 20.

Emergency Stop Switch

The machine electrical supply can be turned off by pressing the latching emergency stop switch. To restart machine, rotate emergency stop switch (releases switch latch) and then restart machine by pressing green (On) button on side of machine frame.

Tape Loading/Threading

See Section II, Pages 7 and 8

Note – If lower tape drum is mounted in alternate lower outboard position, remove taping head from machine bed by pulling straight up, insert threading needle in taping head and replace taping head. Install tape roll on drum (adhesive on tape leg up), thread tape under knurled roller on outboard mount, then attach tape to threading needle and pull tape through taping head with threading needle.



CAUTION – Taping head weighs approximately 7.2 kg [16 pounds] without tape. Use proper body mechanics when removing or installing taping head.

Operation (Continued)

Box Size Set-Up

1. ADJUST DRIVE BELTS (Figure 3-2)

Place a product filled box on infeed conveyor bed with top flaps folded as shown and manually move box forward to contact lower taping head applying roller.

Turn drive belt adjustment crank to position both side drive belts against sides of box.

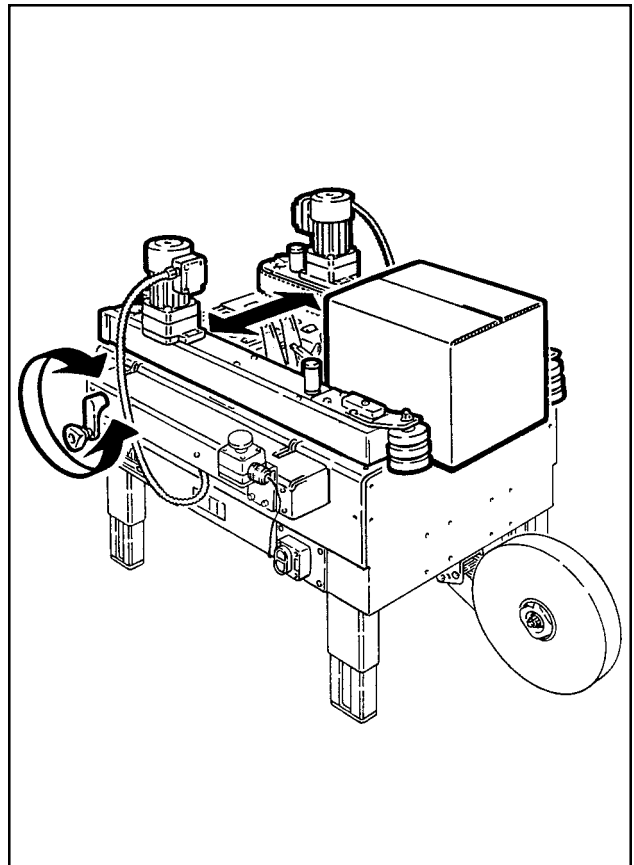


Figure 3-2 – Side Drive Belts

2. RUN BOXES TO CHECK ADJUSTMENT (Figure 3-3)



WARNING – Be sure all packaging materials and tools are removed from the machine before operating.

Push electrical switch "On" to start drive belts.

Move box forward until it is taken away by drive belts.

If the box movement is jerky or stops, move the side drive belts in slightly to add more pressure between the box and drive belts.



CAUTION – If drive belts are allowed to slip on box, excessive belt wear will occur.

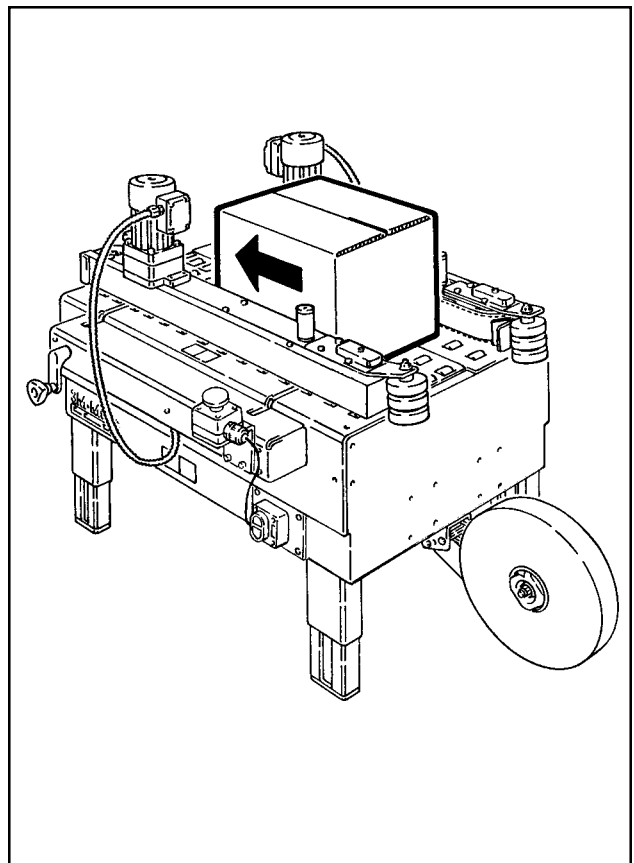


Figure 3-3 – Check Adjustment

Operation (Continued)

Box Sealing

1. Feed boxes to machine at minimum 455 mm [18 inch] intervals.
2. Turn electrical supply "Off" when machine is not in use.
3. Reload and thread tape as necessary.
4. Be sure machine is cleaned and lubricated according to recommendations in "Maintenance" section of this manual.

Notes

1. Machine or taping head adjustments are described in "Adjustments", Section I for machine or Section II for taping heads.
2. Box drive motors are designed to run at a moderate temperature of 40°C [104°F]. In some cases, they may feel hot to the touch.

Maintenance

The case sealer has been designed for long, trouble-free service. The machine will perform best when it receives routine maintenance and cleaning. Machine components that fail or wear excessively should be promptly repaired or replaced to prevent damage to other portions of the machine or to the product.

! WARNING – Turn off electrical power supply and disconnect power cord from electrical supply before beginning maintenance. If electrical power is not disconnected, severe injury to personnel could result.

Cleaning

Note – Never attempt to remove dirt from taping head by blowing it out with compressed air. This can cause the dirt to be blown inside the motor and onto sliding surfaces which may cause premature equipment wear. Never wash down or subject equipment to conditions causing moisture condensation on components. Serious equipment damage could result.

Regular slotted containers produce a great deal of dust and paper chips when processed or handled in equipment. If this dust is allowed to build-up on machine components, it can cause component wear and overheating of drive motor. The dust build-up can best be removed from the machine by a shop vacuum. Depending on the number and type of boxes sealed in the case sealer, this cleaning should be done approximately once per month. If the boxes sealed are dirty, or if the environment in which the machine operates is dusty, cleaning on a more frequent basis may be necessary. Excessive dirt build-up that cannot be removed by vacuuming should be wiped off with a damp cloth.

Lubrication

Like most other equipment, the taping head must be properly lubricated to insure long, trouble free service. Most of the machine bearings are permanently lubricated and sealed and do not need to be greased. The drive motor is also permanently lubricated and does not require additional lubrication.

Figure 4-1 illustrates the frame points which should be lubricated every 250 hours of operation. Lubricate the rotating and pivoting points, noted by the arrows, (➡) with SAE #30 non-detergent oil.

Note – Wipe off excess oil and grease. It will attract dust which can cause premature equipment wear and jamming. Take care that oil and grease are not left on the surface of rollers around which tape is threaded, as it can contaminate the tape's adhesive.

Taping Head Lubrication – See Section II, "Maintenance – Lubrication", page 10.

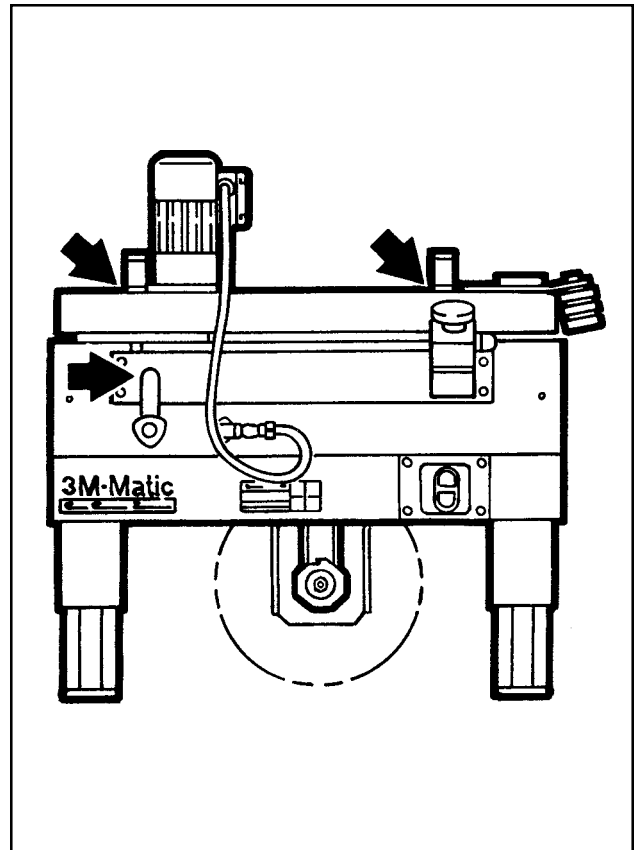


Figure 4-1 – Frame Lubrication Points

Knife Replacement, Taping Head

See Section II, "Maintenance – Knife Replacement", page 9.

Maintenance (Continued)



WARNING – Turn off electrical power and disconnect power cord from electrical supply before beginning maintenance. If power cord is not disconnected, severe injury to personnel could result.

Circuit Breaker

The case sealer is equipped with a circuit breaker which trips if the motors are overloaded. Located inside the electrical enclosure on the side of the machine frame just below the machine bed, the circuit breaker has been pre-set at 2.2 amps and requires no further maintenance.



WARNING – The following procedure must be performed by trained service personnel because of the high voltage electrical hazard within the control box.

If circuit is overloaded and circuit breaker trips, unplug machine from electrical power:

1. Determine cause of overload and correct.
2. Remove electrical enclosure cover.
3. Press the red "Reset" button and then the green "Start" button.
4. Replace cover.
5. Plug in machine.
6. Press machine "On" button to resume case sealing.

Drive Belts

Note – 3M recommends the replacement of drive belts in pairs, especially if belts are unevenly worn.

REPLACEMENT – SEE STEPS 1 THRU 7

TENSION ADJUSTMENT – SEE STEPS 2, 6 AND 7

1. Remove and retain the three screws (A), three washers (B) and side cover (C). See Figure 4-2.
2. Remove and retain the screw (D), washer (E) and belt tensioner cover (F).
3. Turn belt adjustment screws (G) counterclockwise on both the upper and lower tension assemblies until belt is loose. See Figure 4-3.
4. Locate the belt lacing (joint) by turning the belt manually. Remove the pin with pliers. Remove and discard old belt.

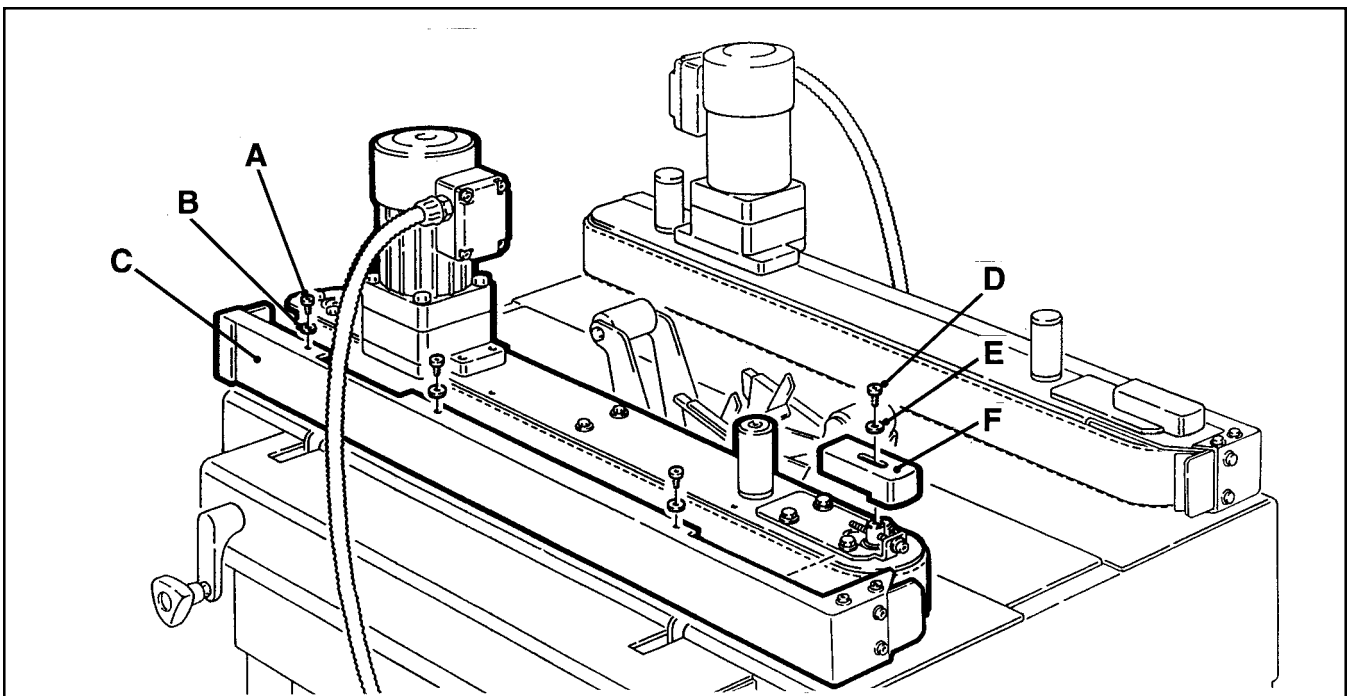


Figure 4-2 – Box Drive Belt (Left Side View – Infeed End)

Maintenance (Continued)

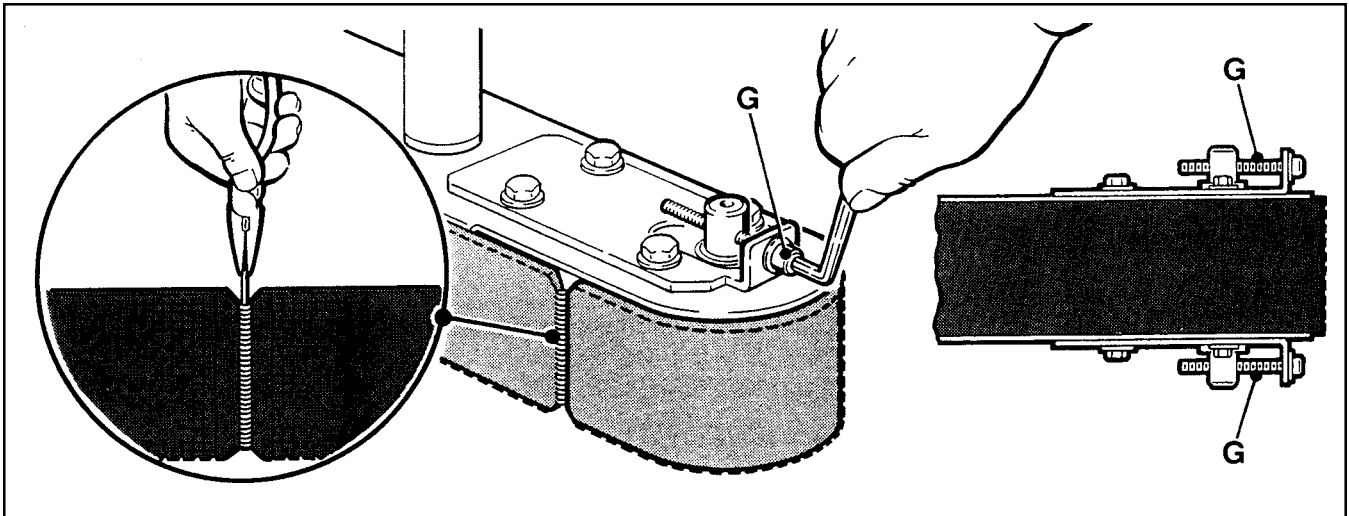


Figure 4-3 – Box Drive Assembly, Infeed End

5. Install the new belt around drive rollers and insert new pin. Pin must not extend beyond edge of belt.

Important – Before installing new drive belt, check the belt inside surface for drive direction arrows and install belt accordingly. If no arrows are shown, the belt may be installed either way.

6. To set drive belt tension, turn adjustment screws (G) equally on both the upper and lower tension assemblies. Turn the screws clockwise to increase tension or counterclockwise to decrease tension. See Figure 4-3.

Use a force gauge to pull the belt outward 25 mm [1 inch] at midspan, as shown with a moderate pulling force of 3.5 kg [7 lbs].

7. Reverse procedures to reassemble the drive belt assembly.

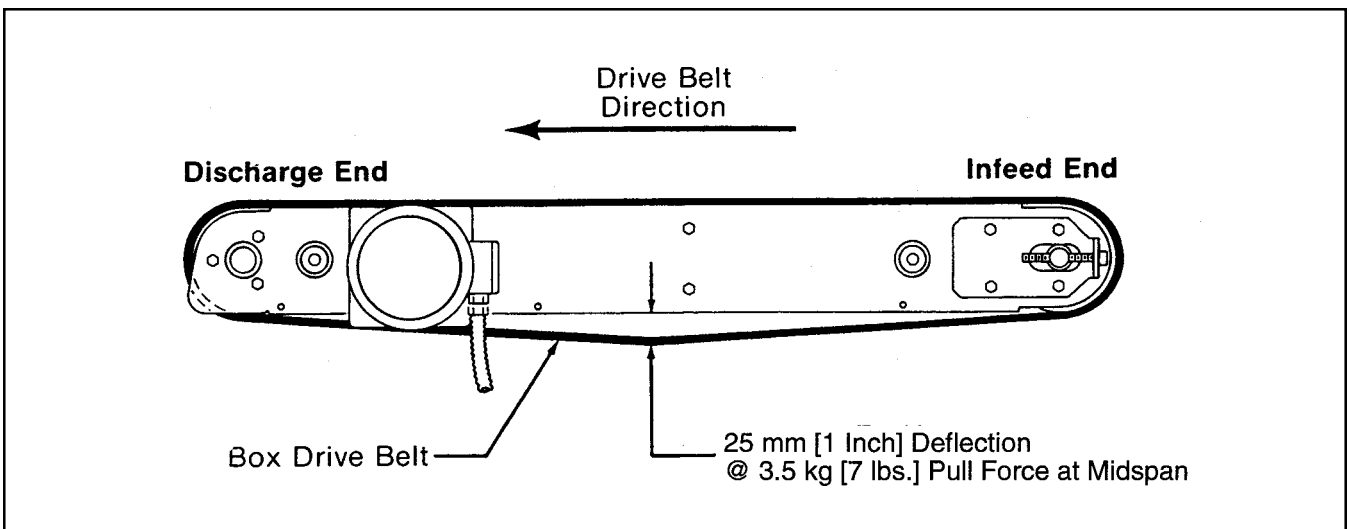


Figure 4-4 – Box Drive Belt Tension Adjustment, Top View

Adjustments



WARNING – Turn off electrical power supply and disconnect power cord from electrical supply before beginning adjustments. If power cord is not disconnected, severe injury to personnel could result.

Drive Belt Tension

Tension adjustment of the drive belts may be required during normal operation. Belt tension must be adequate to positively move the box through the machine and they should run fully on the surface of the pulleys at each end of the frame. The idler pulleys on the infeed end are adjusted in or out to provide proper belt tension. Each belt is adjusted separately.

Belt tension is obtained by tightening the adjustment screw so that a moderate pulling force of 3.5 kg [7 lbs] applied at the midspan, as shown in Figure 4-4, will deflect the belt 25 mm [1 inch]. This will assure positive contact between the belt and the drive pulley on the discharge end of the taping head.

To adjust belts, see "Maintenance – Drive Belts", page 20.

Taping Head Adjustments



WARNING – Use care when working near tape cut-off knife on taping head as knife is extremely sharp. If care is not taken, severe injury to personnel could result.

TAPE WEB ALIGNMENT – Section II, page 11

TAPE DRUM FRICTION BRAKE – Section II, page 11

APPLYING MECHANISM SPRING – Section II, page 11

ONE-WAY TENSION ROLLER – Section II, page 12

TAPE LEG LENGTH

Leading Tape Leg Length Adjustment – Section II, page 13

Changing Tape Leg Length from 70 to 48 mm [2-3/4 to 2 Inches] – Section II, page 13.

Note – When changing tape leg to 48 mm [2 inches], refer also to Section I, "Special Set-Up Procedure – Changing Tape Leg Length", page 23.

Special Set-Up Procedure

WARNING – Turn off electrical power and disconnect power cord from electrical supply before beginning special set-up procedure. If power cord is not disconnected, severe injury to personnel could result.

Changing Tape Leg Length

(From 70 to 48 mm [2-3/4 to 2 Inches])

The following changes to the case sealer will allow taping boxes 90 mm [3-1/2 inches] minimum height.

CASE SEALER FRAME

1. No changes to case sealer frame are required.

TAPING HEADS

WARNING – Use care when working near tape cut-off knife as knife is extremely sharp. If care is not taken, severe injury to personnel could result.

1. Lift the lower taping head straight up to remove it from the case sealer bed.
2. Refer to Section II, Adjustments – Changing Tape Leg Length", page 13 for taping head set-up.

Drive Belt Assembly Height

The drive belt assemblies can be raised 48 mm [2 inches] to provide better conveying of tall boxes. **This change increases the minimum box height that can be taped to 190 mm [7-1/4 inches].**

DISASSEMBLE – Figure 5-1

1. Remove and retain the screw (A), cap washer (B) and spacer (C) from the front and rear arm assembly pivots.
2. Lift belt drive assembly (D) up off the arm assembly pivots.

Note – Keep motor in vertical position to prevent gear oil from leaking out of motor.

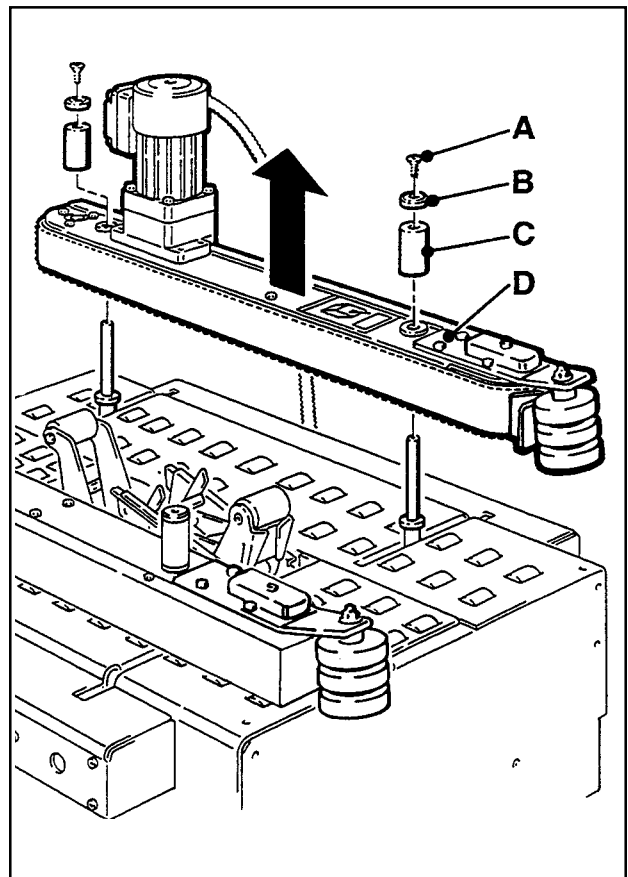


Figure 5-1 – Drive Belt Assembly, Disassembly

Special Set-Up Procedure (Continued)

REASSEMBLE – Figure 5-2

4. Reassemble the spacer (C) onto the front and rear arm assembly pivots first.
5. Install the belt drive assembly (D) onto the pivots and secure with the cap washers (B) and screws (A).

Note – Both drive belt assemblies must be installed at the same operating height.

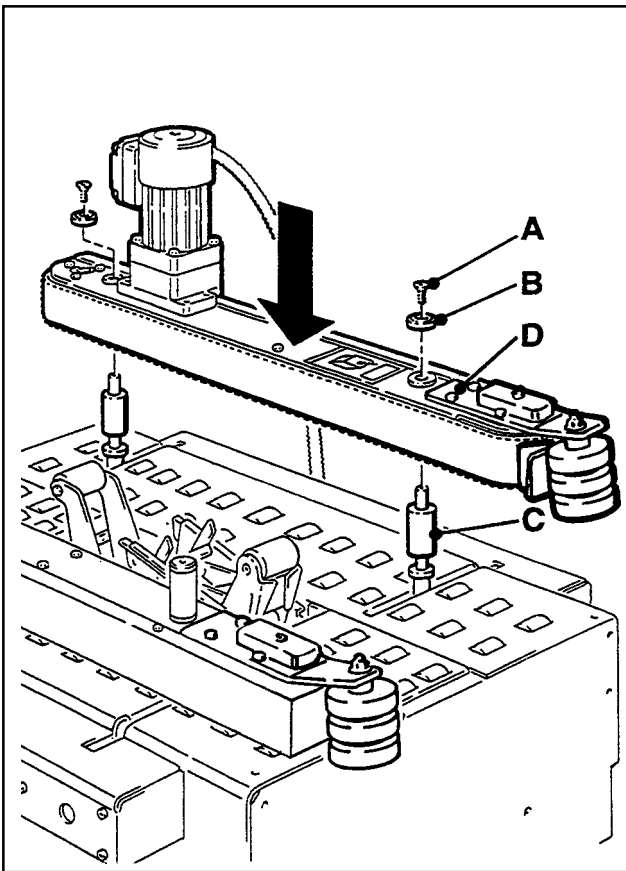


Figure 5-2 – Drive Belt Assembly, Reassembly

Troubleshooting

The Troubleshooting Guide lists some possible machine problems, causes and corrections. Also see Section II, "Troubleshooting", pages 15 and 16 for taping head problems.

Troubleshooting Guide

Problem	Cause	Correction
Drive belts do not convey boxes	Narrow boxes	Check machine specifications. Boxes are narrower than recommended, causing slippage and premature belt wear.
	Worn drive belts	Replace drive belts
	Taping head applying spring holder missing	Replace spring holder
	Taping head applying spring set too high	Reduce spring pressure
Drive belts do not turn	Worn or missing friction rings	Replace friction rings
	Drive belt tension too low	Adjust belt tension
	Electrical disconnect	Check power and electrical plug
	Circuit breaker not at correct setting	Set to correct current value
	Motor not turning	Evaluate problem and correct
Drive belt break	Worn belt	Replace belt
	Excessive belt tension	Tension to 3.5 kg [7 lbs] per adjustment section
Tape not centered on box seam	Tape drum not centered	Reposition tape drum
	Box flaps not of equal length	Check box specifications

Electrical Diagram



WARNING – Turn off electrical power supply and disconnect power cord from electrical supply before beginning service. If power cord is not disconnected, personnel could be exposed to dangerous voltages. Severe injury or equipment damage could result.

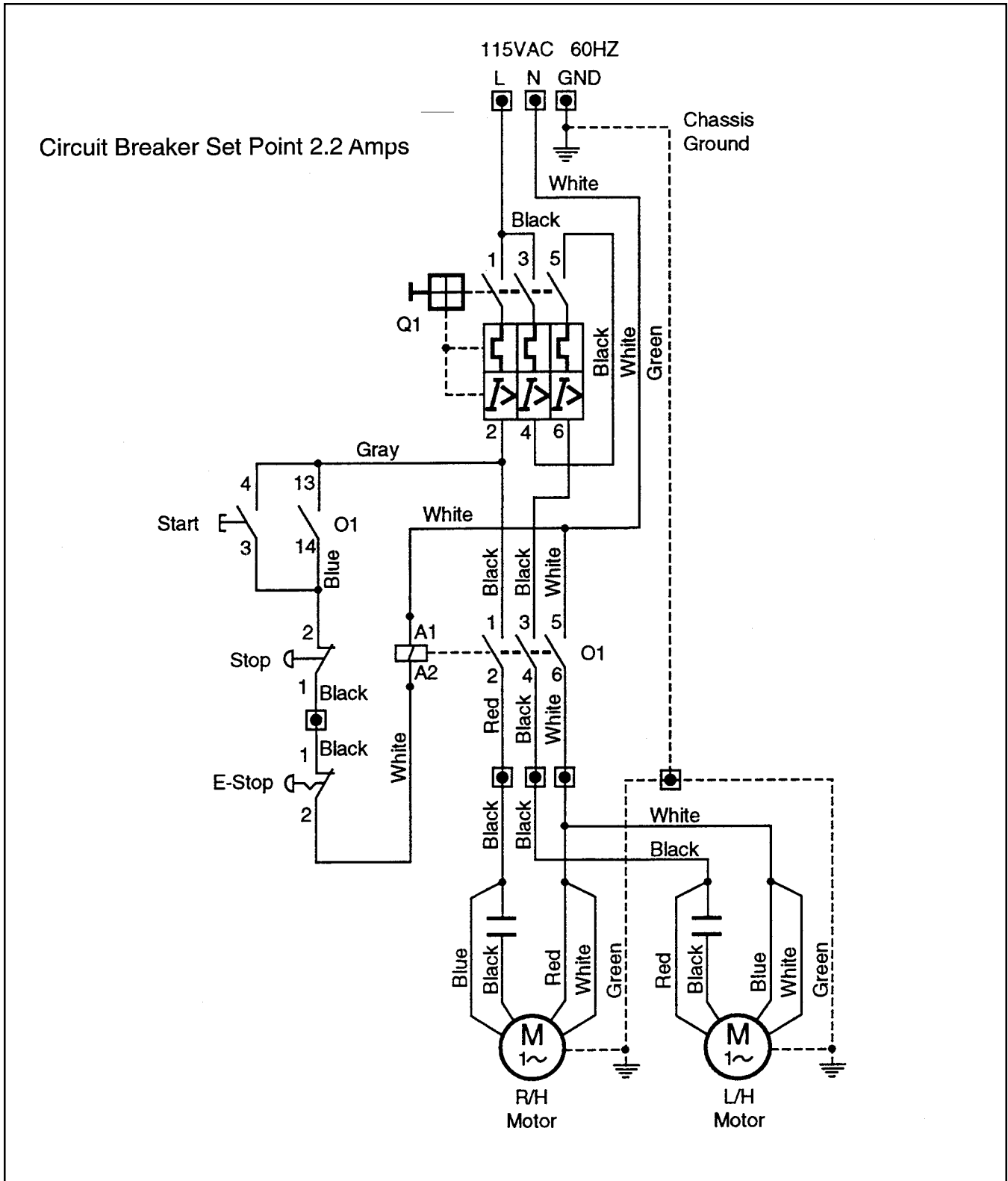


Figure 7 – Electrical Diagram

Spare Parts/Tools

Spare Parts

The following parts periodically require replacement due to normal wear. They should be ordered immediately and kept on hand to keep the case sealer in production.

800ab Adjustable Case Sealer, Type 39600

Qty	Section/Ref. No.	Part Number	Description
1	II/2880-15	78-8057-6179-4	Roller – Applying
1	II/2886-5	78-8057-6178-6	Roller – Buffing
1	II/2883-2	78-8017-9173-8	* Knife – 2.56 Inch [65 mm]
2	II/2883-12	78-8052-6602-6	* Spring – Cutter
1	II/2886-10	78-8070-1273-3	* Spring – Lower Extension (Black)
2	I/6175-58	78-8076-5452-6	Belt – Drive, W/Hook
2	II/2883-6	78-8070-1390-5	Spring – Torsion

* Note – These spare parts are supplied with the tool kit that comes with your machine and should also be ordered separately as used, to keep the case sealer in production.

Tool Kit

A tool and parts kit, part number 78-8060-8476-6 packaged separately and included with your machine, contains the necessary wrenches for use with the metric fasteners on the case sealer. The threading tool, part number 78-8076-4726-4, contained in the tool kit is available as a stock replacement item and can be ordered separately.

Label Kit

A label kit, part number 78-8113-6745-3 is available as a stock item and contains all the safety and information labels used on the case sealer or separate labels can be ordered from the parts list, page 51.

Options/Accessories

For additional information on the options/accessories listed below, contact your 3M Representative.

Part Number	Option/Accessory
78-8052-6553-1	Box Hold Down Attachment, Model 18500
78-8069-3983-7	Caster Kit Attachment
78-8069-3924-1	Conveyor Extension Attachment
78-8069-3926-6	Low Tape Sensor Kit
78-8079-5560-0	Tape Application Sensor Kit
78-8095-4855-1	2 Inch Tape Edge Fold Kit (Lower)
78-8114-0829-9	AccuGlide™ II STD 2 Inch Lower Taping Head
78-8114-0831-5	AccuGlide™ II STD 3 Inch Lower Taping Head

Replacement Parts Illustrations and Parts List

800ab Adjustable Case Sealer, Type 39600 With AccuGlide™ II STD (2 Inch) Taping Head

1. Refer to first illustration, **800ab Assembly**, for the **Figure Number** that identifies a specific portion of the machine.
2. Refer to the Figure or Figures to determine the individual parts required and the part reference number.
3. The parts list that follows each illustration, includes the part number and part description for the parts in that illustration.

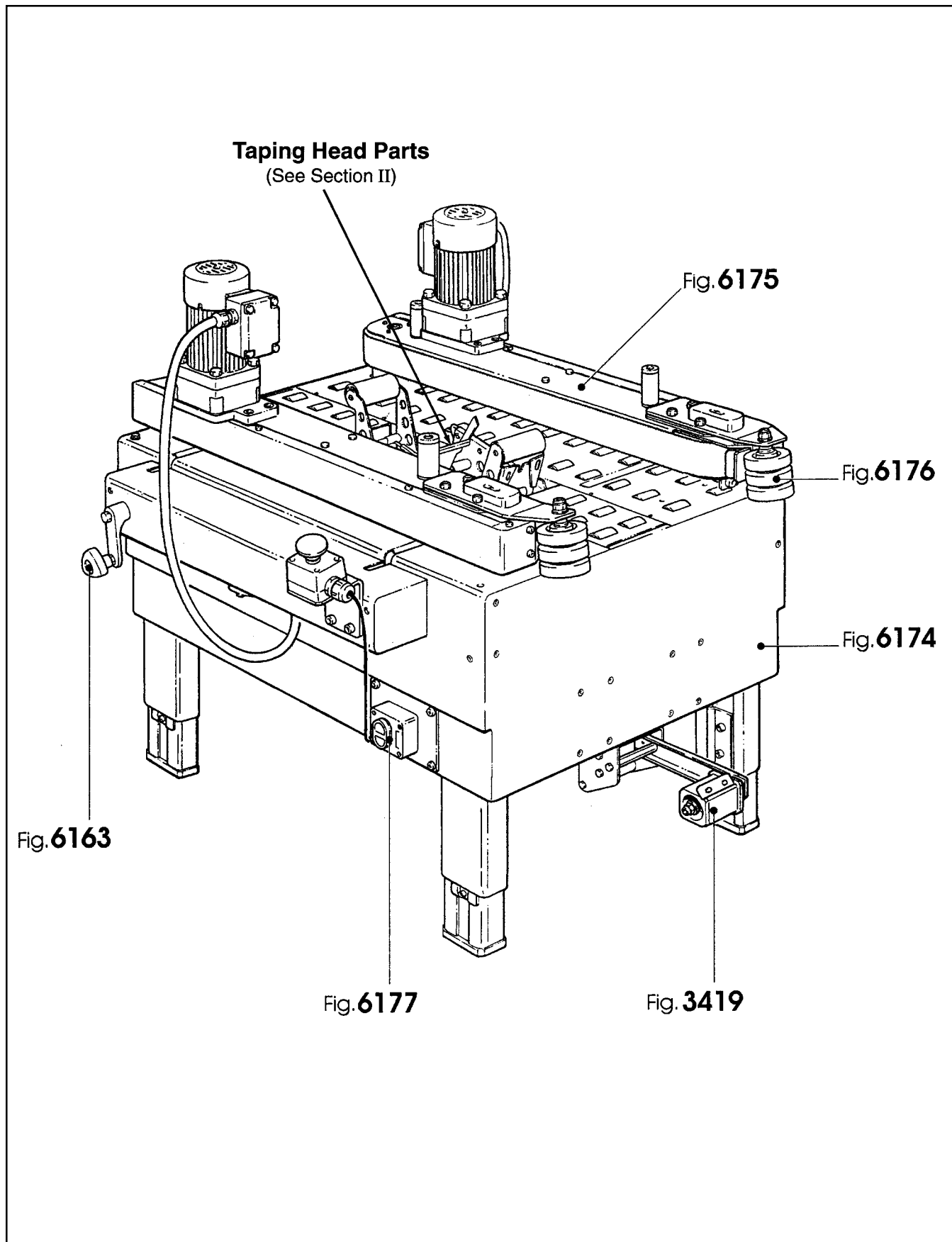
Note – The complete description has been included for standard fasteners and some commercially available components. This has been done to allow obtaining these standard parts locally should the customer elect to do so.

4. Refer to the first page of this instruction manual for replacement parts ordering information.

IMPORTANT – Not all the parts listed are normally stocked items. Some parts or assemblies shown are available only on a special order basis. Contact 3M/Tape Dispenser Parts to confirm item availability.

THIS PAGE IS BLANK

800ab Adjustable Case Sealer W/AccuGlide™ II STD (2 Inch) Taping Head



800ab Assembly

800ab Adjustable Case Sealer

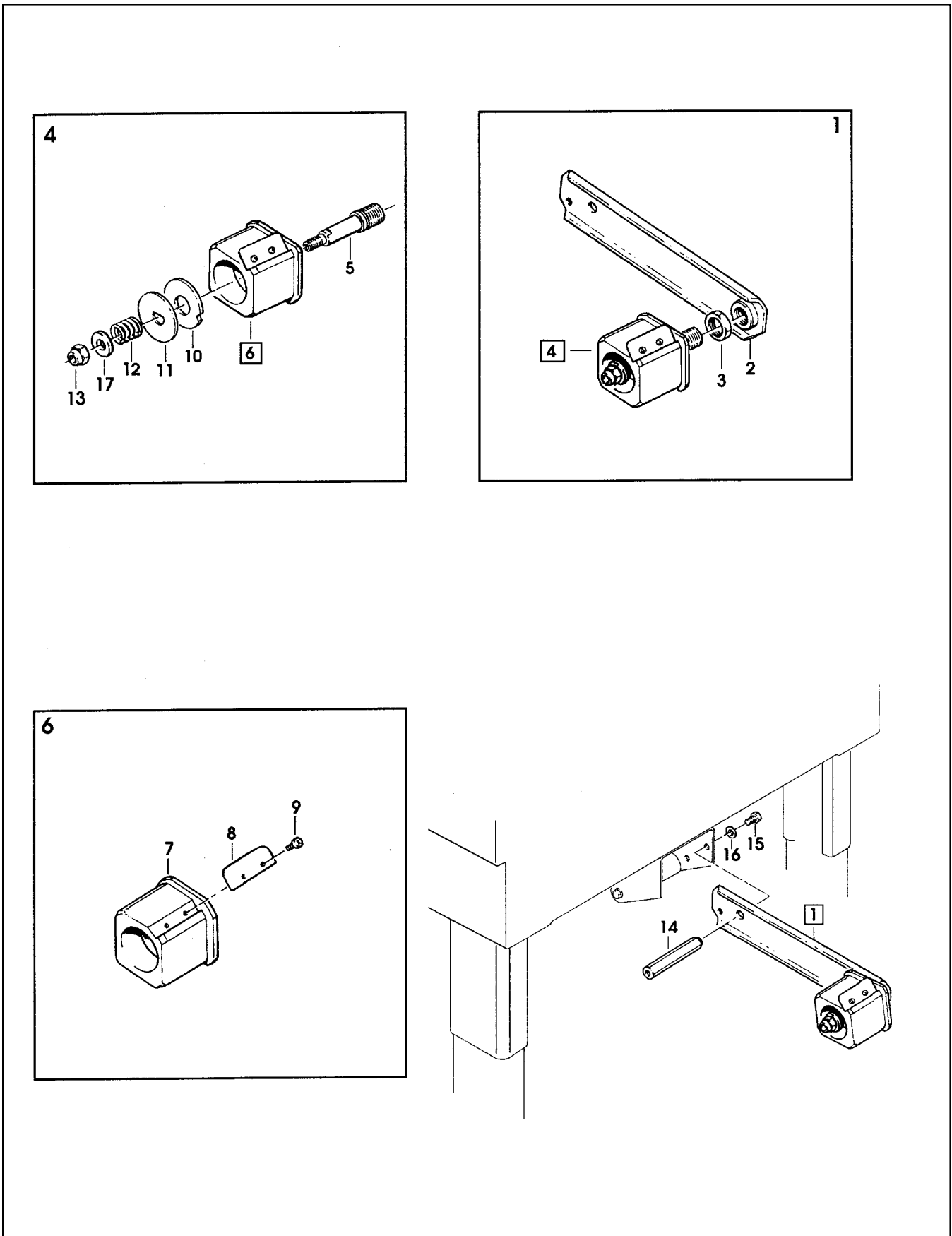


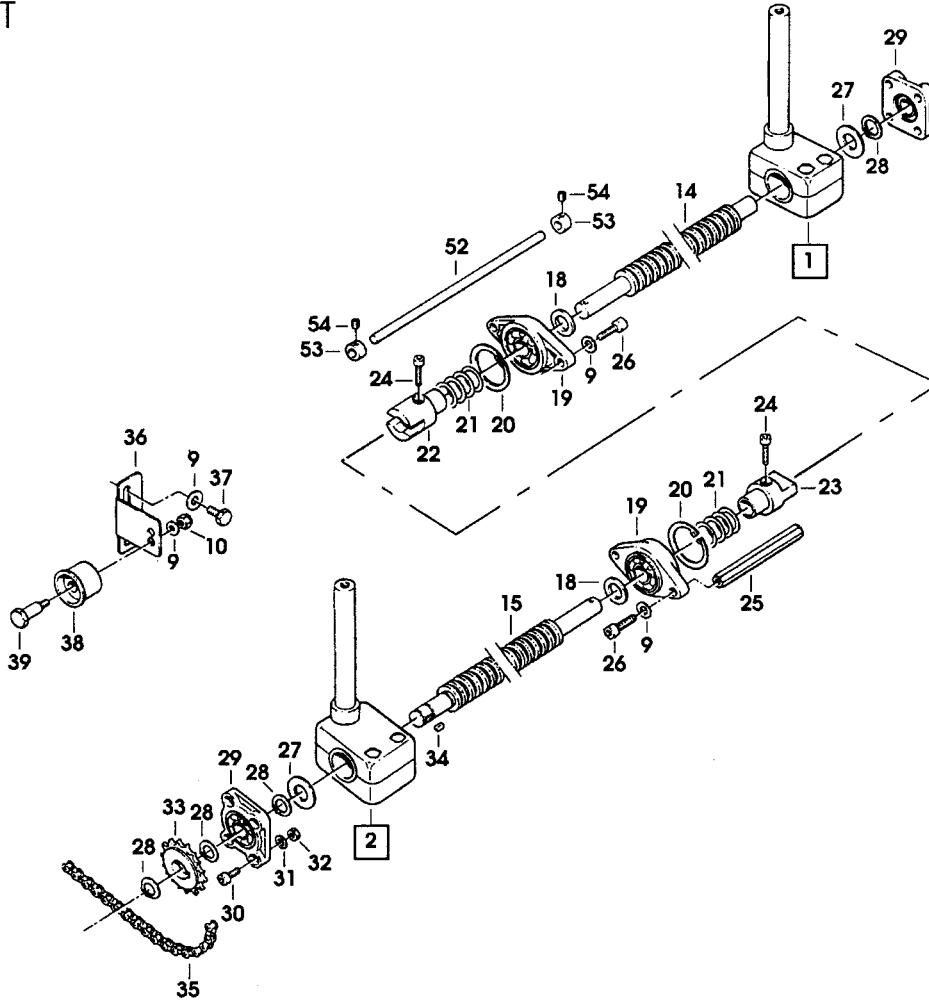
Figure 3419

Figure 3419

Ref. No.	3M Part No.	Description
3419-1	78-8070-1565-2	Tape Drum Bracket Assembly
3419-2	78-8070-1395-4	Bracket – Bushing Assembly
3419-3	78-8017-9169-6	Nut – M18 x 1
3419-4	78-8060-8474-1	Tape Drum Assembly – 2 Inch Head
3419-5	78-8076-4519-3	Shaft – Tape Drum
3419-6	78-8070-1569-4	Tape Drum Assembly – 2 Inch Wide
3419-7	78-8052-6749-5	Tape Drum Assembly
3419-8	78-8052-6268-6	Leaf Spring
3419-9	26-1002-5753-9	Screw – Self-Tapping
3419-10	78-8060-8172-1	Washer – Friction
3419-11	78-8052-6271-0	Washer – Tape Drum
3419-12	78-8100-1048-4	Spring – Core Holder
3419-13	78-8017-9077-1	Nut – Self-Locking, M10 x 1
3419-14	78-8070-1215-4	Spacer – Stud
3419-15	78-8010-7169-3	Screw – Hex Hd M6 x 12
3419-16	26-1000-0010-3	Washer – Flat M6
3419-17	78-8052-6566-3	Washer – Friction

800ab Adjustable Case Sealer

FRONT



• = Pos.3 and 4
to be ordered
always together

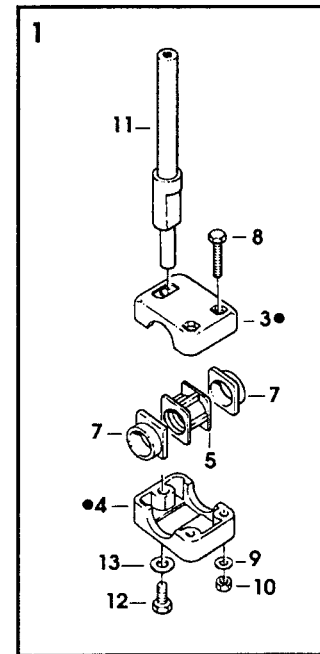
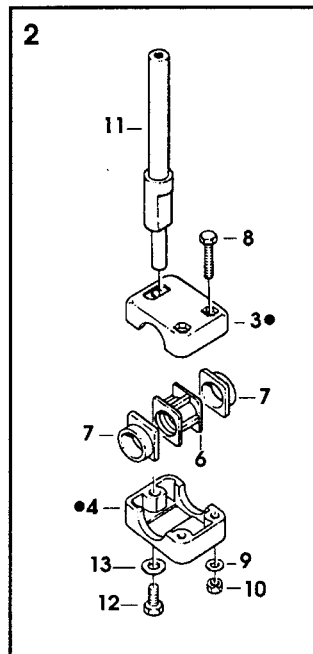


Figure 6163/1 of 2

Figure 6163 (page 1 of 2)

Ref. No.	3M Part No.	Description
6163-1	78-8100-1229-0	Shaft Assembly – Drive R/H
6163-2	78-8100-1230-8	Shaft Assembly – Drive L/H
6163-3	78-8076-5401-3	Block – Upper
6163-4	78-8076-5402-1	Block – Lower
6163-5	78-8076-5403-9	Nut – Block, R/H
6163-6	78-8076-5404-7	Nut – Block, L/H
6163-7	78-8076-5405-4	Bushing – Block
6163-8	78-8076-5239-7	Screw – Hex Hd, M6 x 50
6163-9	26-1000-0010-3	Washer – Flat M6
6163-10	26-1003-6916-9	Nut – Locking, Plastic Insert M6
6163-11	78-8100-1220-9	Shaft – Drive Mount
6163-12	26-1003-5842-8	Screw – Hex Hd, M8 x 20
6163-13	78-8017-9318-9	Washer – Plain 8 mm
6163-14	78-8076-5407-0	Screw – R/H
6163-15	78-8076-5408-8	Screw – L/H
6163-16	78-8076-5409-6	Screw – Handle, R/H
6163-17	78-8076-5410-4	Screw – Handle, L/H
6163-18	78-8076-5411-2	Spacer – Screw
6163-19	78-8076-5412-0	Flange – W/Bearing
6163-20	78-8060-8010-3	Snap Ring – 42 mm Shaft
6163-21	78-8076-5413-8	Spring
6163-22	78-8076-5414-6	Coupling – Screw, Female
6163-23	78-8076-5415-3	Coupling – Screw, Male
6163-24	26-1003-7946-5	Screw – Soc Hd, M4 x 25
6163-25	78-8076-5416-1	Spacer – Hex, 10 x 107
6163-26	78-8023-2334-1	Screw – Soc Hd, Hex Soc, M6 x 25
6163-27	78-8076-5417-9	Spacer

800ab Adjustable Case Sealer

REAR

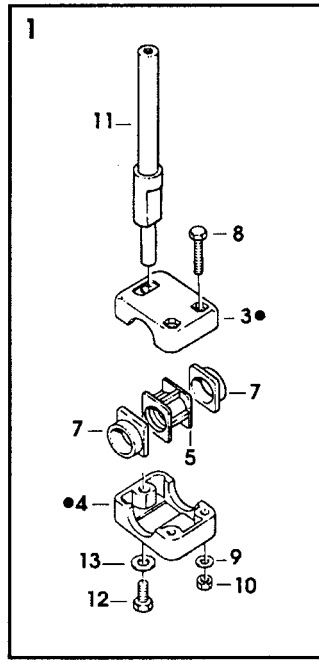
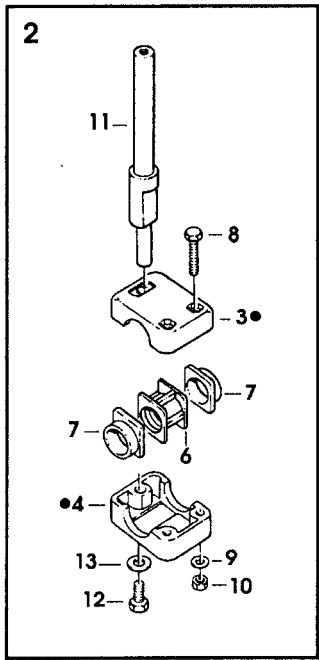
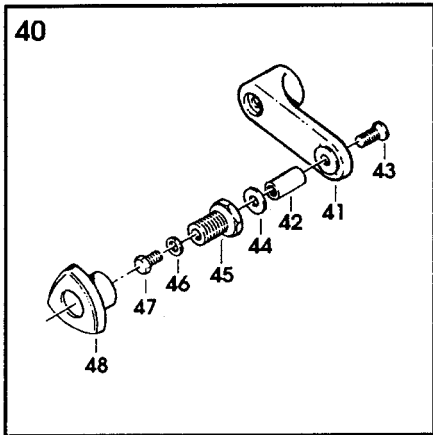
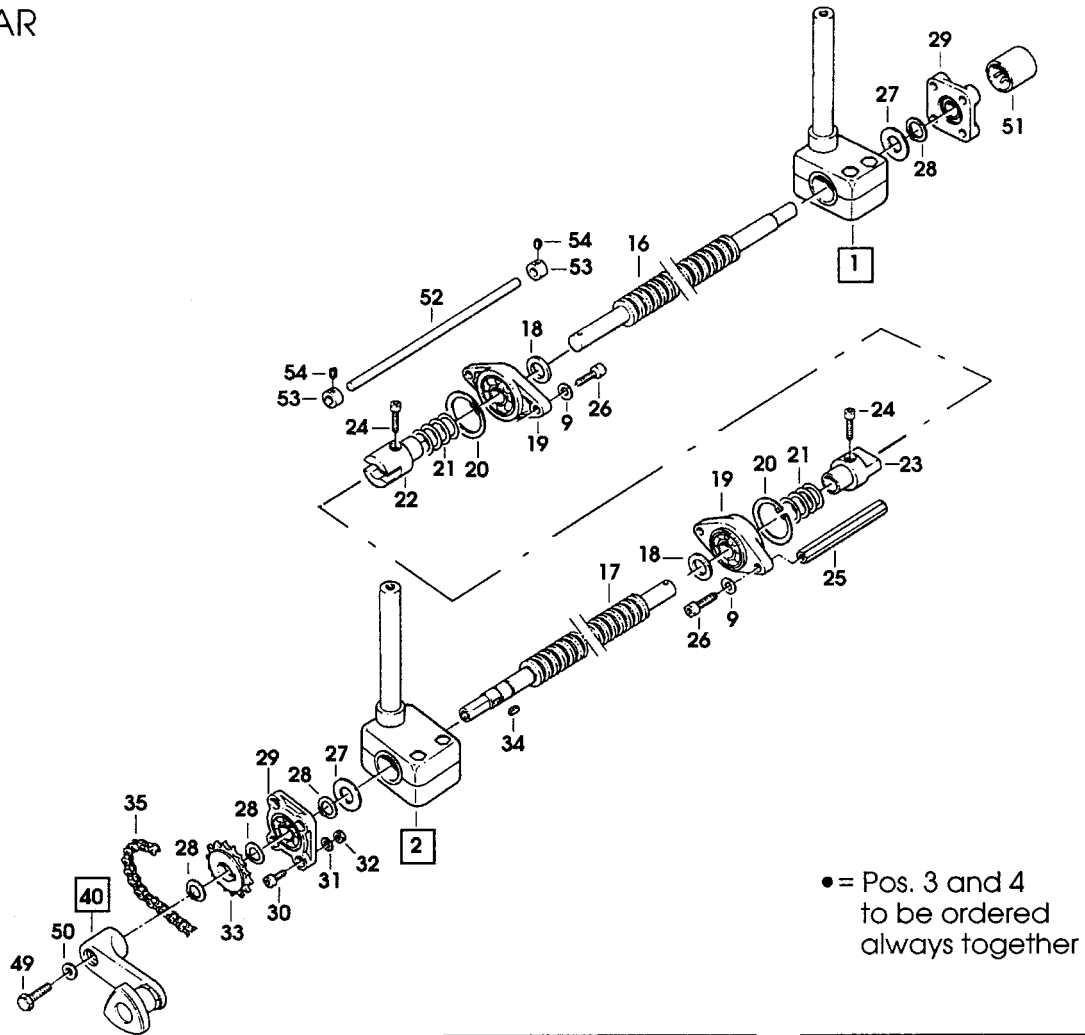


Figure 6163/2 of 2

Figure 6163 (page 2 of 2)

Ref. No.	3M Part No.	Description
6163-28	78-8017-9079-7	Ring – Snap For 15 mm Shaft
6163-29	78-8076-5418-7	Support – Screw
6163-30	26-1003-7949-9	Screw – Soc Hd Hex Soc, M5 x 12
6163-31	78-8005-5741-1	Washer – Plain M5
6163-32	78-8010-7417-6	Nut – Hex M5
6163-33	78-8076-5419-5	Sprocket – 3/8 Inch Z=16
6163-34	78-8046-8135-7	Key – 5 x 5, 12 mm
6163-35	78-8076-5420-3	Chain – 3/8 Inch, 133 Links
6163-36	78-8076-5421-1	Support – Tension Roller
6163-37	78-8010-7169-3	Screw – Hex Hd, M6 x 12
6163-38	78-8070-1503-3	Roller – Chain Tensioning
6163-39	78-8060-7878-4	Idler Screw
6163-40	78-8076-4807-2	Crank Assembly
6163-41	78-8076-5422-9	Crank
6163-42	78-8070-1509-0	Shaft – Crank
6163-43	26-1005-5316-8	Screw – Flat Hd Hex Dr, M5 x 16
6163-44	78-8070-1510-8	Washer – Nylon, 7 x 15 x 1
6163-45	78-8070-1511-6	Bushing
6163-46	78-8005-5740-3	Washer – Plain 4 mm
6163-47	78-8010-7157-8	Screw – Hex Hd, M4 x 10
6163-48	78-8070-1512-4	Knob – VTR-B-M12
6163-49	78-8032-0375-7	Screw – Hex Hd, M6 x 16
6163-50	78-8076-4809-8	Washer – Crank
6163-51	78-8070-1506-6	Cover – Screw
6163-52	78-8076-5423-7	Shaft
6163-53	78-8076-5424-5	Block
6163-54	78-8076-5425-2	Set Screw – M4 x 3

800ab Adjustable Case Sealer

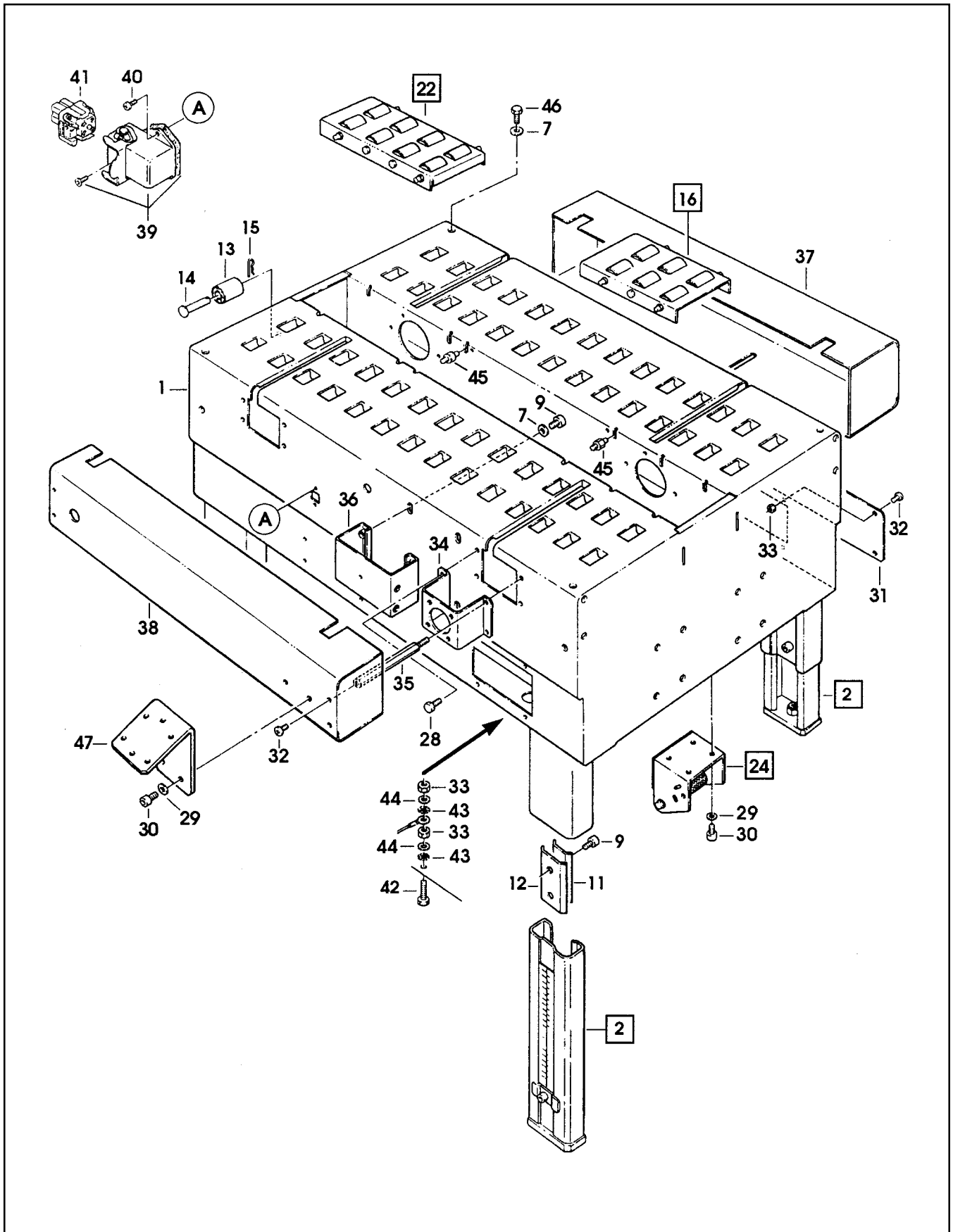


Figure 6174/1 of 2

Figure 6174 (Page 1 of 2)

Ref. No.	3M Part No.	Description
6174-1	78-8076-5380-9	Bed – Conveyor
6174-2	78-8076-5381-7	Leg Assembly – Inner, W/Stop
6174-3	78-8076-5382-5	Leg – Inner
6174-4	78-8060-8480-8	Pad – Foot
6174-5	78-8055-0867-4	Screw – Hex Hd, M8 x 30
6174-6	78-8017-9313-0	Nut –Self-Locking, M8
6174-7	78-8017-9318-9	Washer – Plain 8 mm
6174-8	78-8076-5383-3	Stop – Leg
6174-9	26-1003-7963-0	Screw – Soc Hd, M8 x 16
6174-10	78-8060-8481-6	Label – Height
6174-11	78-8052-6676-0	Clamp – Outer
6174-12	78-8052-6677-8	Clamp – Inner
6174-13	78-8060-7693-7	Roller – 32 x 38
6174-14	78-8076-5384-1	Shaft – Roller
6174-15	78-8076-5385-8	Spring
6174-16	78-8094-6100-3	Conveyor Assembly – Front
6174-17	78-8076-5387-4	Conveyor – Front
6174-18	78-8091-0780-4	Shaft – Central Roller
6174-19	78-8091-0781-2	Shaft – Side Roller
6174-20	26-1003-5828-7	Screw – Hex Hd, M6 x 10 Special
6174-21	78-8076-5389-0	Mounting – Conveyor
6174-22	78-8094-6101-1	Conveyor Assembly – Rear
6174-23	78-8076-5391-6	Conveyor – Rear
6174-24	78-8076-5392-4	Support – Tape Drum
6174-25	78-8060-8483-2	Support – Outboard Roll
6174-26	78-8060-8484-0	Shaft – Roller

800ab Adjustable Case Sealer

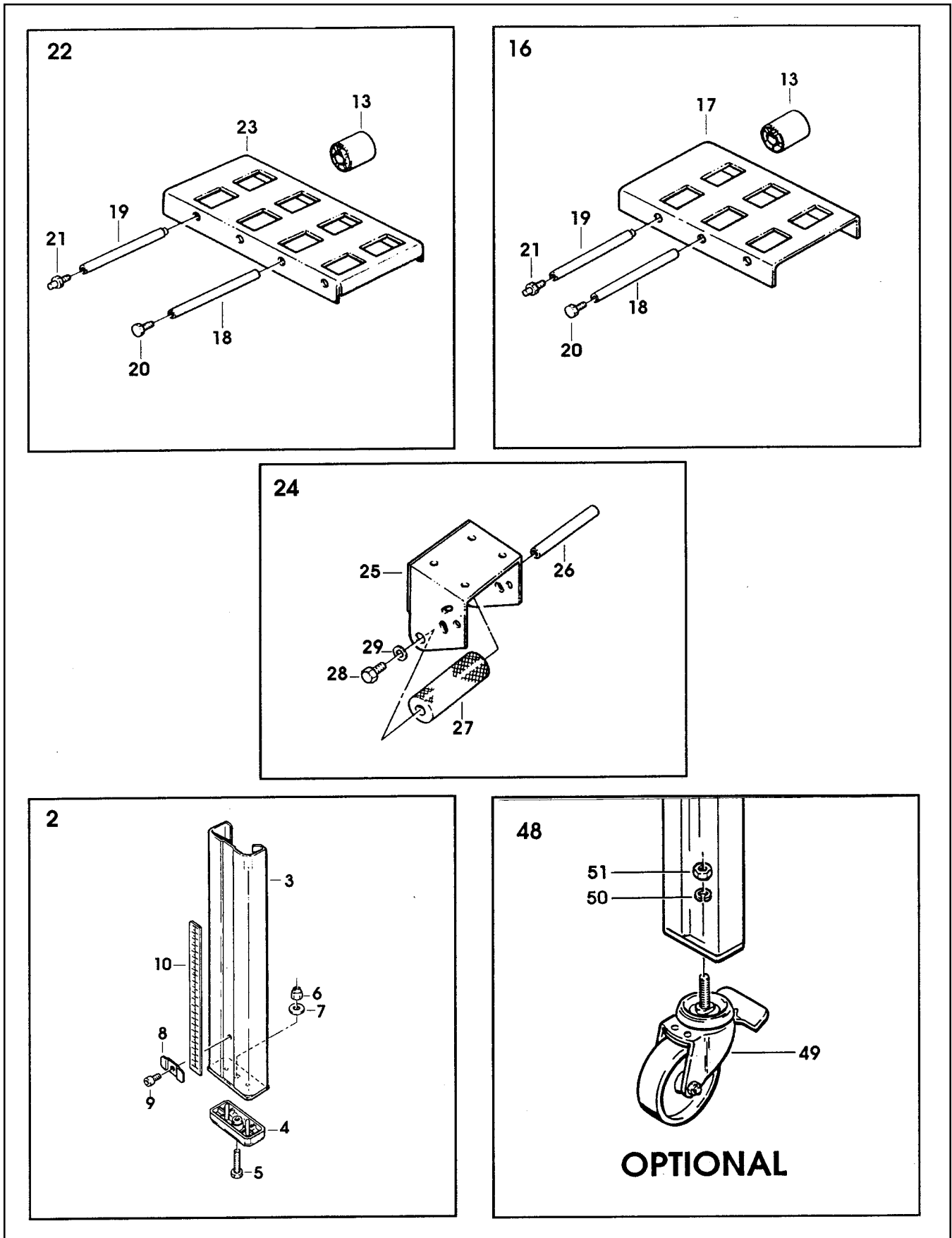


Figure 6174/2 of 2

Figure 6174 (Page 2 of 2)

Ref. No.	3M Part No.	Description
6174-27	78-8060-8485-7	Roller
6174-28	78-8032-0375-7	Screw – Hex Hd M6 x 16
6174-29	26-1000-0010-3	Washer – Flat M6
6174-30	26-1003-7957-2	Screw – Soc Hd Hex Hd M6 x 16
6174-31	78-8060-8487-3	Cover – Switch
6174-32	78-8060-8087-1	Screw – M5 x 10
6174-33	78-8010-7417-6	Nut – Hex M5
6174-34	78-8076-5393-2	Plate – Tape Bracket Support
6174-35	78-8076-5394-0	Spacer
6174-36	78-8076-5483-1	Support – Roller, Chain Tensioning
6174-37	78-8076-5484-9	Cover – R/H
6174-38	78-8113-6836-0	Cover – L/H, W/English Language Label
6174-39	78-8060-7876-8	Cover – Plug, Lateral
6174-40	78-8028-8208-0	Screw – 6P x 9,5
6174-41	78-8060-7873-5	Plug Female
6174-42	78-8060-8488-1	Screw – Hex Hd M5 x 20
6174-43	78-8046-8217-3	Washer – Special
6174-44	78-8005-5741-1	Washer – Plain M5
6174-45	78-8076-4991-4	Spacer
6174-46	26-1003-5841-0	Screw – M8 x 16
6174-47	78-8076-5192-8	Bracket – E-Stop
6174-48	78-8098-9076-3	Caster Assembly
6174-49	26-1009-9096-4	Caster – Dual Locking
6174-50	26-1009-9094-9	Washer – Spring, Helical, M12
6174-51	26-1009-9095-6	Nut – M12

800ab Adjustable Case Sealer

1-2

(*) Not included with Ref. No. 1-2

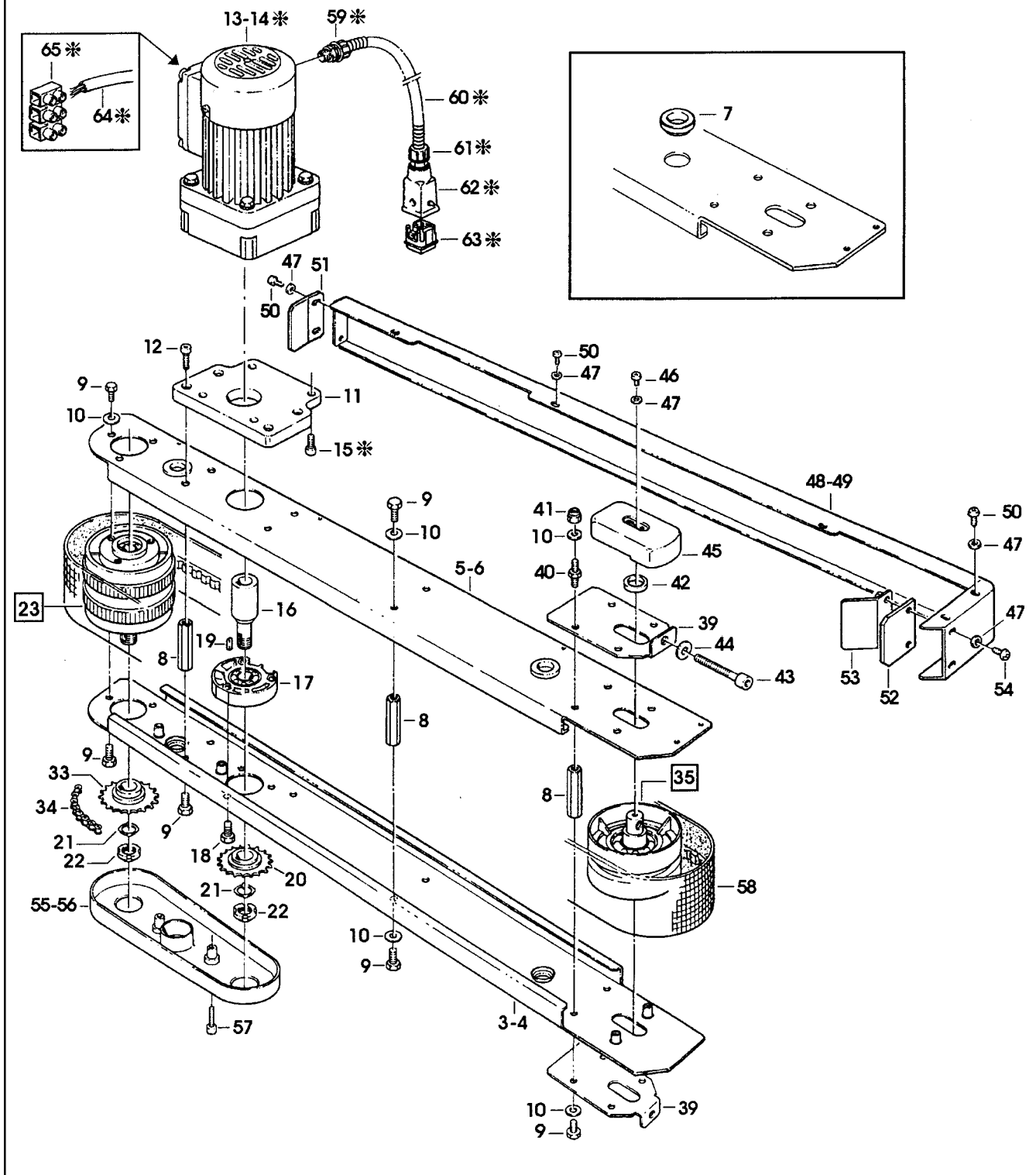


Figure 6175/1 of 2

Figure 6175 (page 1 of 2)

Ref. No.	3M Part No.	Description
6175-1	78-8100-1223-3	Side Drive Assembly – R/H W/O Motor
6175-2	78-8100-1224-1	Side Drive Assembly – L/H W/O Motor
6175-3	78-8100-1207-6	Guide – Lower, R/H
6175-4	78-8100-1208-4	Guide – Lower, L/H
6175-5	78-8100-1209-2	Guide – Upper, R/H
6175-6	78-8113-6819-6	Guide – Upper, L/H, W/English Language Label
6175-7	78-8091-0500-6	Bushing – Side Drive
6175-8	78-8055-0661-1	Spacer
6175-9	26-1003-5829-5	Screw – Hex Hd, M6 x 12
6175-10	26-1000-0010-3	Washer – Flat M6
6175-11	78-8094-6109-4	Support – Gearmotor
6175-12	78-8023-2334-1	Screw – Soc Hd, M6 x 25
6175-13	78-8070-1522-3	Gearmotor – Bodine 42X5BFCI-E2, 15:1, 115V, 60 Hz
6175-14	26-1011-8828-7	Capacitor – 15uF, 300VAC, Motor Run
6175-15	78-8070-1523-1	Screw – 1/4 - 28 x 1/2 SHCS
6175-16	78-8094-6174-8	Extension – Gearmotor
6175-17	78-8076-5439-3	Flange Assembly
6175-18	78-8060-7886-7	Screw – Hex Hd, M6 x 16, Special
6175-19	78-8046-8135-7	Key – 5 x 5, 12 mm
6175-20	78-8091-0758-0	Sprocket – 3/8 Inch, Z=14
6175-21	78-8057-5834-5	Tab Washer
6175-22	78-8057-5835-2	Centering Washer
6175-23	78-8076-5440-1	Pulley Assembly – Drive
6175-24	78-8076-5441-9	Roller – Drive
6175-25	78-8052-6713-1	Ring – Polyurethane
6175-26	78-8055-0669-4	Shaft – Pulley Keyed
6175-27	78-8057-5739-6	Key – M5 x 5 x 30 mm
6175-28	78-8055-0668-6	Washer – 15/26 x 1
6175-29	78-8091-0382-9	Belleville Washer – /16
6175-30	78-8076-5442-7	Flange Assembly
6175-31	26-0001-5862-1	Screw – Flat Hd Soc, M5 x 12
6175-32	78-8054-8877-8	Washer – 5,5/20 x 4
6175-33	78-8091-0759-8	Sprocket – 3/8 Inch Z=23
6175-34	78-8076-4933-6	Chain – 3/8 Inch Pitch, 52 Pitch

800ab Adjustable Case Sealer

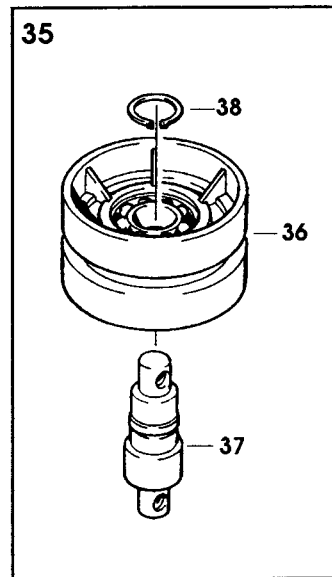
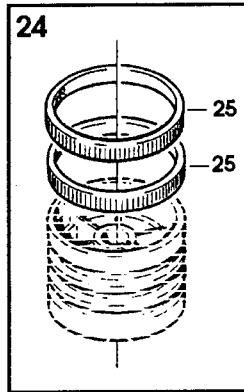
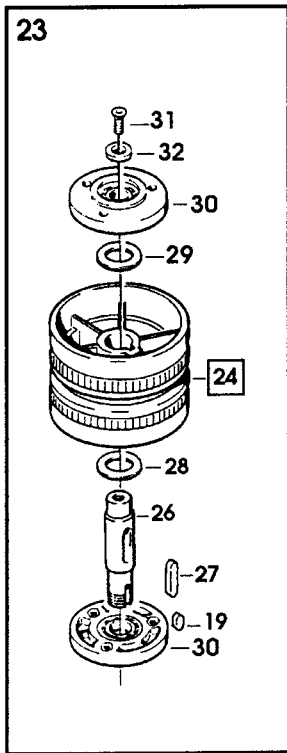
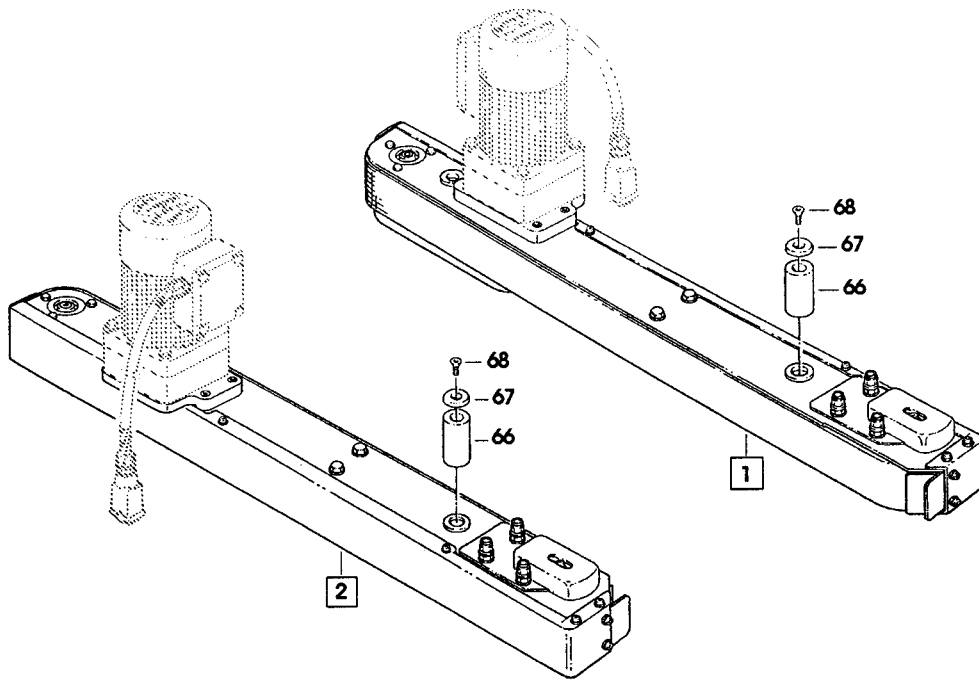


Figure 6175/2 of 2

Figure 6175 (page 2 of 2)

Ref. No.	3M Part No.	Description
6175-35	78-8076-5443-5	Pulley Assembly – Idler
6175-36	78-8055-0660-3	Roller – Idler
6175-37	78-8076-5444-3	Shaft – Idler Pulley
6175-38	12-7997-0272-0	E-Ring – M-25
6175-39	78-8076-5445-0	Tensioning – Belt
6175-40	78-8076-5486-4	Screw – M6, Special
6175-41	26-1003-6916-9	Nut – Locking, M6 Plastic Insert
6175-42	78-8076-5446-8	Washer – Shaft
6175-43	78-8070-1519-9	Screw – Soc Hd, Hex Hd,, M8 x 70
6175-44	78-8017-9318-9	Washer – Plain 8 mm
6175-45	78-8076-5448-4	Cover – Belt Tensioner
6175-46	78-8055-0850-0	Screw – Cap, M4 x 6
6175-47	78-8005-5740-3	Washer – Plain 4 mm
6175-48	78-8113-6837-8	Cover – Drive, R/H, W/English Language Label
6175-49	78-8113-6811-3	Cover – Drive, L/H, W/English Language Label
6175-50	26-1002-5753-9	Screw – Self-Tapping
6175-51	78-8100-1213-4	Guard – Belt
6175-52	78-8100-1214-2	Guard – Rubber
6175-53	78-8100-1215-9	Guard – Metal
6175-54	78-8076-5255-3	Screw – Phillips Hd, M4 x 12
6175-55	78-8091-0764-8	Cover – Chain, Right
6175-56	78-8091-0765-5	Cover – Chain, Left
6175-57	78-8010-7165-1	Screw – Flat Hd Soc, M5 x 25
6175-58	78-8076-5452-6	Belt – Box Drive
6175-59	78-8060-7631-7	Connector – 3/8 Inch
6175-60	78-8076-5197-7	Sleeving – /12, 800 mm
6175-61	78-8060-7626-7	Connector – PG 11/12
6175-62	78-8060-7877-6	Plug Housing – Vertical
6175-63	78-8060-7875-0	Plug Male
6175-64	78-8060-8053-3	Wire – 3-Pole, 5 Meters Length
6175-65	78-8076-4968-2	Terminal
6175-66	78-8076-5434-4	Spacer – Drive
6175-67	78-8054-8577-4	Washer – Special
6175-68	26-1001-9843-6	Screw – Flat Soc Hd, M6 x 16

800ab Adjustable Case Sealer

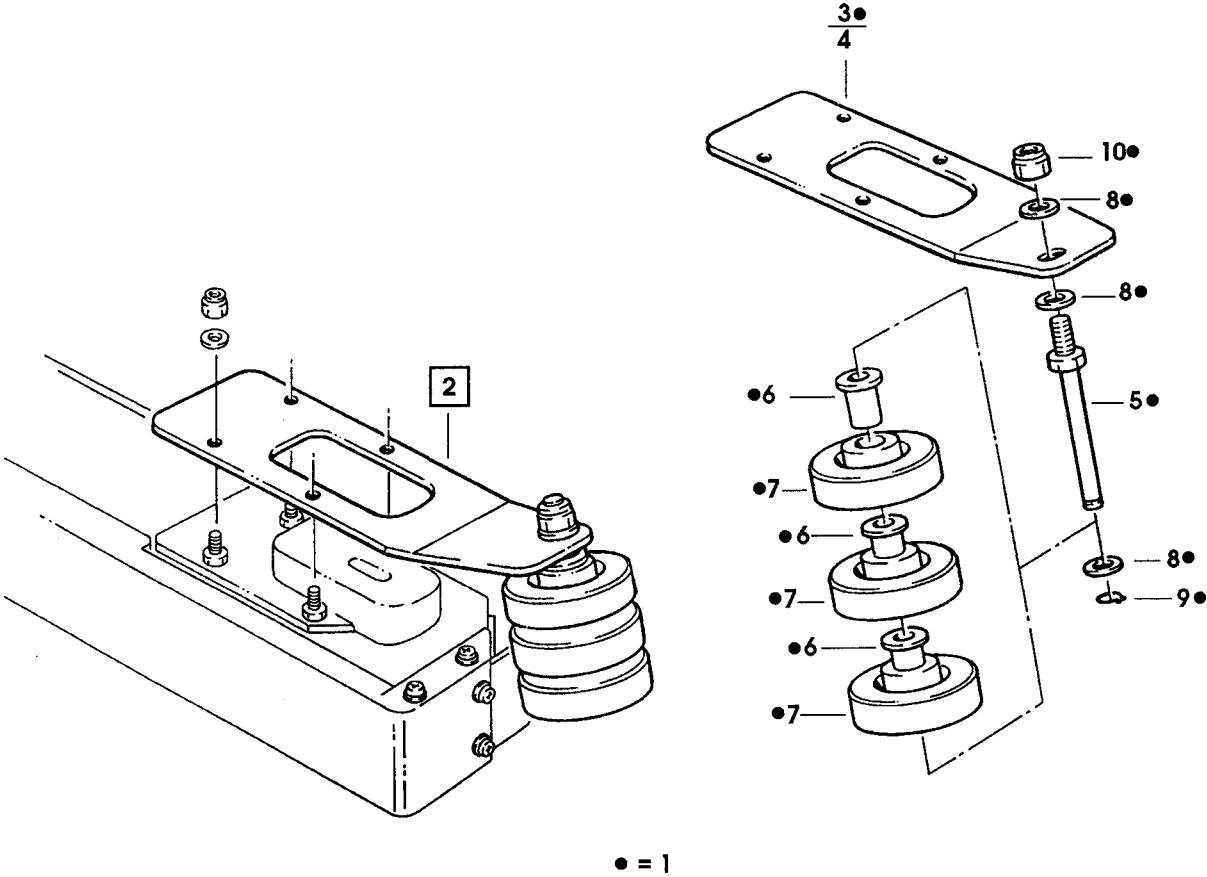


Figure 6176

Figure 6176

Ref. No.	3M Part No.	Description
6176-1	78-8100-1225-8	Slide Compression Roller – R/H
6176-2	78-8100-1226-6	Slide Compression Roller – L/H
6176-3	78-8113-6984-8	Bracket – Roller, R/H, W/English Language Label
6176-4	78-8113-6985-5	Bracket – Roller, L/H, W/English Language Label
6176-5	78-8076-5491-4	Shaft – Roller
6176-6	78-8060-8106-9	Bushing – Nylon
6176-7	78-8055-0821-1	Rubber Roller
6176-8	78-8052-6566-3	Washer – Friction
6176-9	78-8016-5855-6	E-Ring – 10 mm
6176-10	26-1003-6918-5	Nut – Hex Flange M10, Plastic Insert

800ab Adjustable Case Sealer

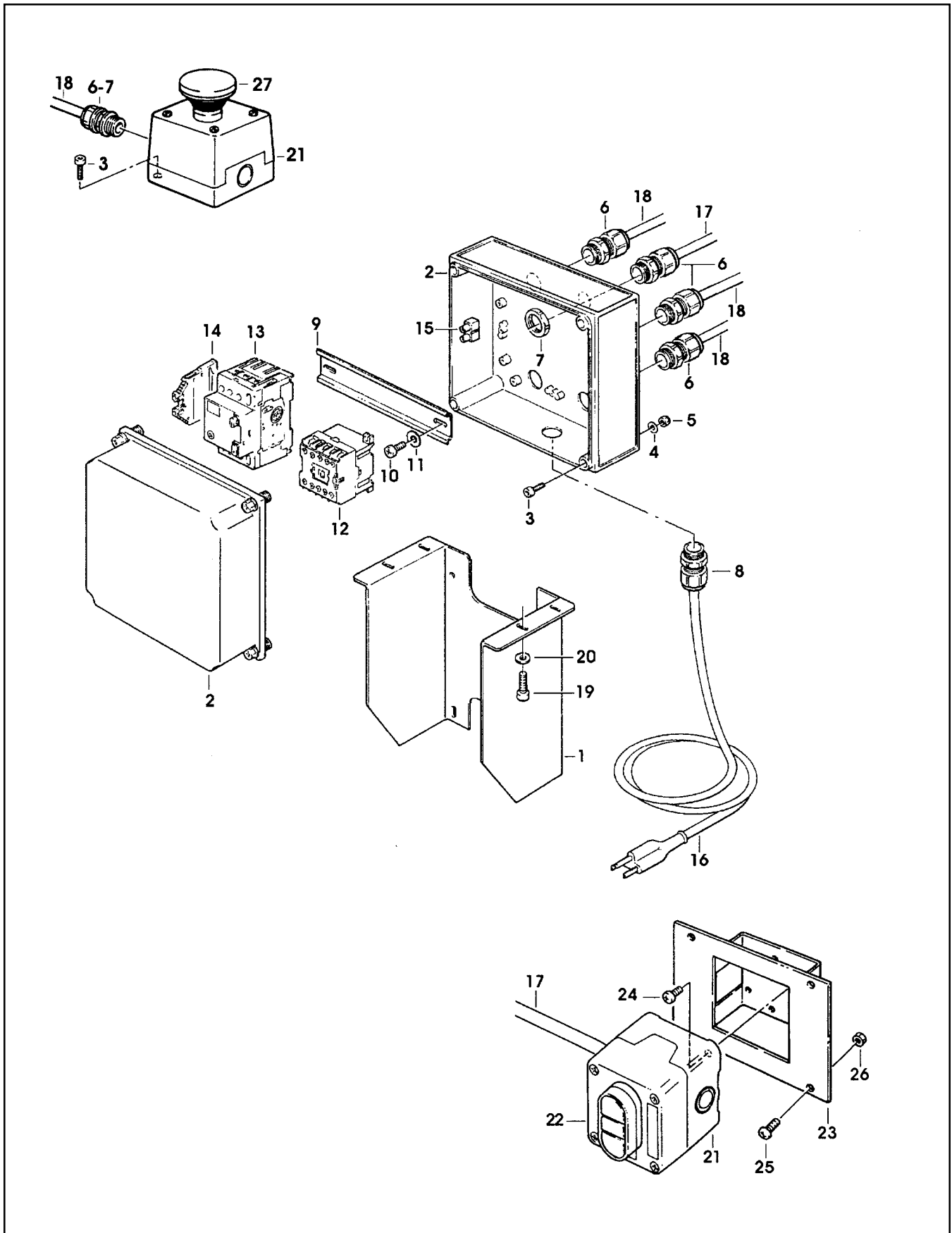
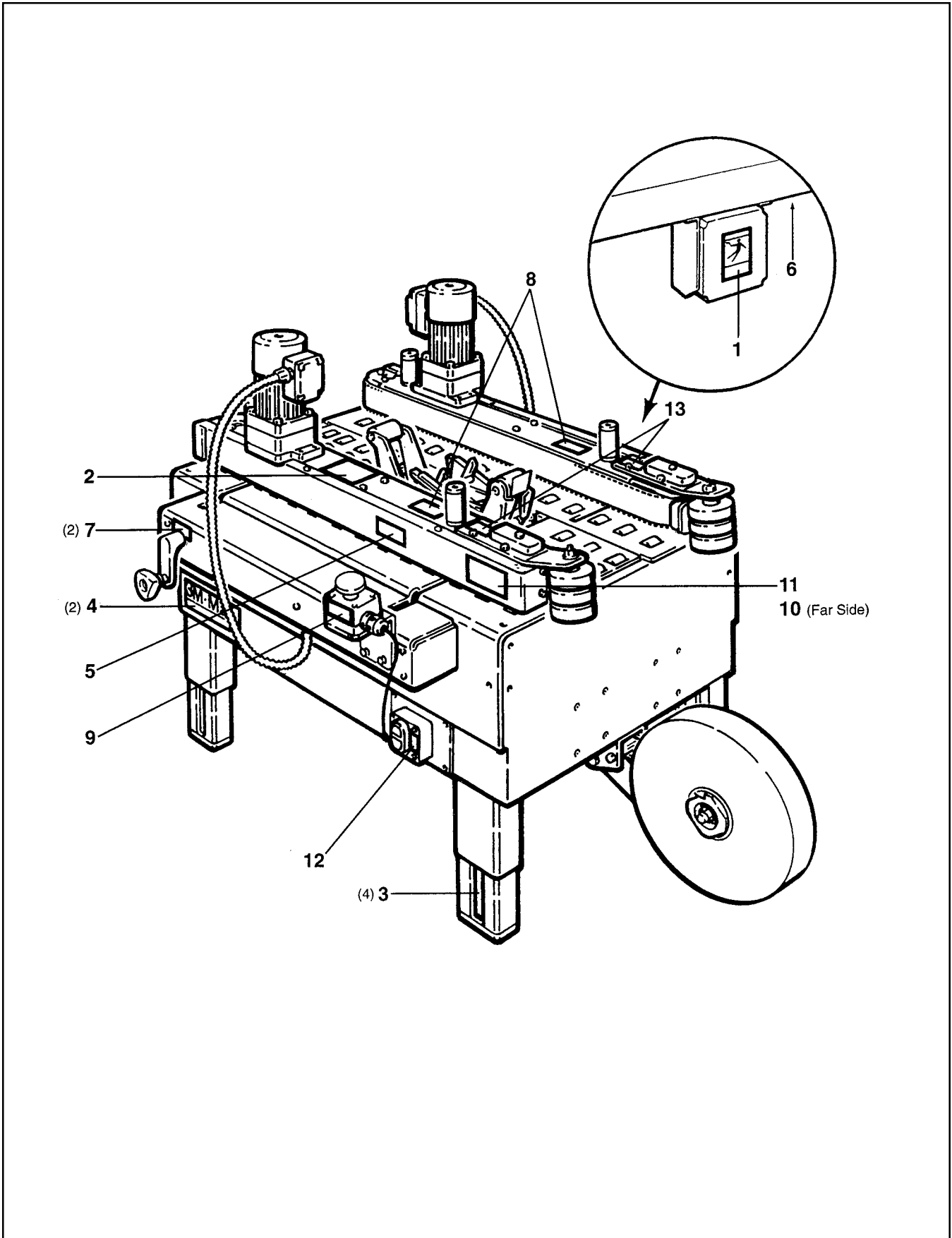


Figure 6177

Figure 6177

Ref. No.	3M Part No.	Description
6177-1	78-8094-6379-3	Support Box
6177-2	78-8113-6759-4	Box – W/English Language Label
6177-3	78-8094-6381-9	Screw – Soc Hd, Hex Hd, M4 x 15
6177-4	78-8005-5740-3	Washer – Plain, 4 mm
6177-5	26-1003-6914-4	Nut – Plastic Insert, M4
6177-6	78-8076-4715-7	Cord Grip
6177-7	78-8076-5211-6	Set Nut – GMP13.5
6177-8	78-8057-5807-1	Cord Grip – ST 16
6177-9	78-8094-6382-7	Guide – Mounting
6177-10	78-8028-8208-0	Screw – 6PX9,5
6177-11	78-8017-9018-5	Washer – Plain, M4 SPEC
6177-12	78-8094-6383-5	Contactora – Sprecher & Schuh, CA4-5-10, 110V, 60HZ
6177-13	78-8076-5378-3	Circuit Breaker – Sprecher & Schuh, KTA-3-25
6177-14	78-8094-6384-3	Clamp – VGPE 4/6
6177-15	78-8076-4968-2	Terminal
6177-16	26-1009-8724-2	Power Cord W/Plug – Type SO
6177-17	78-8100-1038-5	Cable – 3X20 AWG, 5 MT
6177-18	78-8060-8053-3	Wire – 3-Pole, 5 Meters Length
6177-19	26-1003-7957-2	Screw – Soc Hd, Hex Hd, M6 x 16
6177-20	26-1000-0010-3	Washer – Flat, M6
6177-21	78-8119-6528-0	E-Stop Enclosure – W/English Language Label
6177-22	78-8094-6386-8	Switch – On/Off, Sprecher & Schuh, DM3N-C-01/10
6177-23	78-8113-6887-3	Support – On/Off Switch, W/English Language Label
6177-24	78-8017-9257-9	Screw – M4 x 10
6177-25	78-8060-8087-1	Screw – M5 x 10
6177-26	78-8010-7417-6	Nut – Hex, M5
6177-27	78-8094-6385-0	E-Stop – Allen Bradley, 800EP-MTS643LX01

800ab Adjustable Case Sealer



Safety and Information Labels

800ab Safety and Information Labels

A label kit, part number 78-8113-6745-3, is available as a stock item. It contains all the safety and information labels used on the case sealer, or labels can be ordered separately from the following list.

Ref. No.	3M Part No.	Description	Qty.
	78-8113-6745-3	Label Kit (Includes items 1 - 13)	
1	78-8070-1329-3	Warning – Hazardous Voltage	1
2	78-8070-1366-5	Information – Safety Instructions	1
3	78-8060-8481-6	Information – Leg Height	4
4	78-8062-4266-1	Information – 3M-Matic	2
5	78-8068-3859-1	Information – Service and Spares	1
6	78-8069-3852-6	Information – Ground	2
7	78-8098-8955-9	Information – Out/In, Belt Adjustment	2
8	78-8070-1629-6	Information – Belt tensioning	2
9	78-8095-1141-9	Information – Stop	1
10	78-8070-1330-1	Warning – Moving Belts	1
11	78-8070-1331-9	Warning – Moving Belts	1
12	78-8113-6775-0	Information – Electrical On/Off	1
13	78-8113-6912-9	Caution – Pinch Point	2