

# STEEL DOOR LOUVER MODEL SDL

Heavy Duty Steel construction designed to allow the transfer of air across a boundary such as a door while also maintaining privacy. Ideal for use with 1-3/8" to 2-1/4" thick wood or metal doors. This non-vision design is recommended for Schools, Class "A" and Institutional Buildings.

## Standard Construction:

### Frame

- 20 gauge Cold Rolled Steel.

### Blades

- Inverted V style, 24 gauge Cold Rolled Steel, spaced approximately 5/8" centers.

### Construction

- Mitered and welded corners.

### Finish

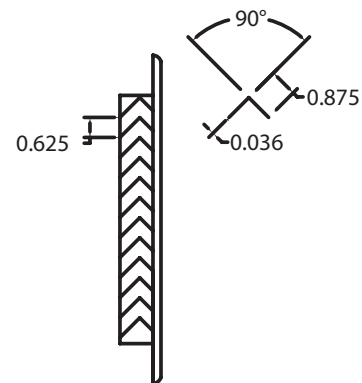
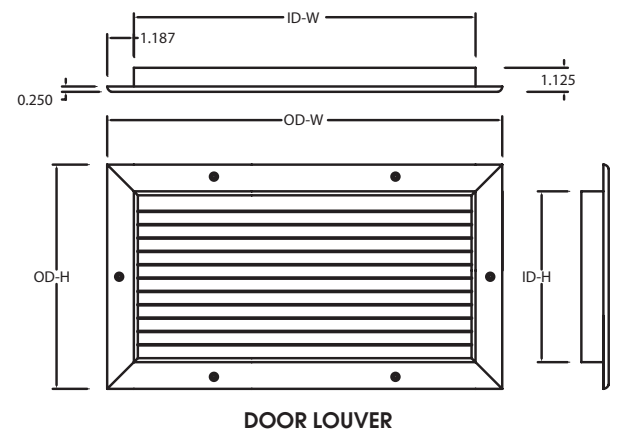
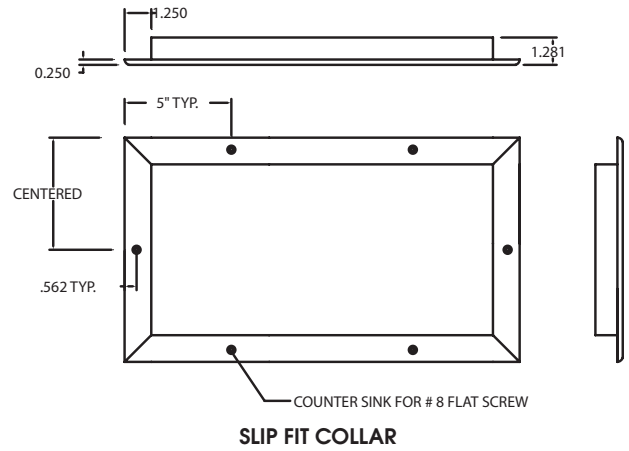
- Gray primer.

### Fasteners

- #8 x 3/4" Phillips head screws.

## STANDARD SIZES

Steel Model No.	Hole Opening		Actual OD	
	W	H	W	H
SDL-8x8	8 1/2"	8 1/2"	10 1/4"	10 1/8"
SDL-10x4	10 1/2"	4 1/2"	12 1/4"	6 1/8"
SDL-12x8	12 1/2"	8 1/2"	14 1/4"	10 1/8"
SDL-12x12	12 1/2"	12 1/2"	14 1/4"	14 1/8"
SDL-14x8	14 1/2"	8 1/2"	16 1/4"	10 1/8"
SDL-14x12	14 1/2"	12 1/2"	16 1/4"	14 1/8"
SDL-16x8	16 1/2"	8 1/2"	18 1/4"	10 1/8"
SDL-16x16	16 1/2"	16 1/2"	18 1/4"	18 1/8"
SDL-18x12	18 1/2"	12 1/2"	20 1/4"	14 1/8"
SDL-20x10	20 1/2"	10 1/2"	22 1/4"	12 1/8"
SDL-20x12	20 1/2"	12 1/2"	22 1/4"	14 1/8"
SDL-20x14	20 1/2"	14 1/2"	22 1/4"	16 1/8"
SDL-20x16	20 1/2"	16 1/2"	22 1/4"	18 1/8"
SDL-20x20	20 1/2"	20 1/2"	22 1/4"	22 1/8"
SDL-24x12	24 1/2"	12 1/2"	26 1/4"	14 1/8"
SDL-24x16	24 1/2"	16 1/2"	26 1/4"	18 1/8"
SDL-24x18	24 1/2"	18 1/2"	26 1/4"	20 1/8"
SDL-24x24	24 1/2"	24 1/2"	26 1/4"	26 1/8"



## LIMITED WARRANTY

All products manufactured are warranted by Air Conditioning Products Company (ACP) to be free from original defects in workmanship for a period of one year from date of shipment, under conditions of normal use and service. ACP will replace or repair any defective parts upon return to our plant, freight prepaid. This limited warranty will, in no way, include the payment of labor charges for field replacement of defective parts, installation, repairs of adjustments, or any other work done. Back charges will not be accepted for any reason unless ACP has given prior written permission, nor will ACP be responsible for consequential damages of any character, no limited warranty expressed or implied will supersede the foregoing.

Manufactured for Air Conditioning Products Co.  
30350 Ecorse Road • Romulus, MI 48174  
acpshutters.com