

INSTALLATION INSTRUCTIONS

DRAINABLE FIXED LOUVERS

MODEL DFL

Description

The Extruded Aluminum Drainable Fixed Louvers are designed to protect the air intake and exhaust openings in the exterior walls of any building from rain and weather while still providing efficient air flow. Heavy Duty 4" deep .080" thick frame and .080" thick extruded aluminum louvers positioned at 45 degrees and spaced at approximately 4" centers and comes with birdscreen installed.

Installation

ENSURE STRUCTURAL INTEGRITY OF WALL BEFORE BREACHING.

1. Clean the opening prior to installation.
2. Wall opening should be $\frac{1}{4}$ " to $\frac{1}{2}$ " larger than the OD of the louver.
3. Install head and sill flashing (not provided) if needed in wall opening as per Figure 1.
4. Use clip angles (not provided) to attach frame to walls or secure through the flange with fasteners (not provided) as per Figure 1.
5. Caulk (not provided) the opening as needed.

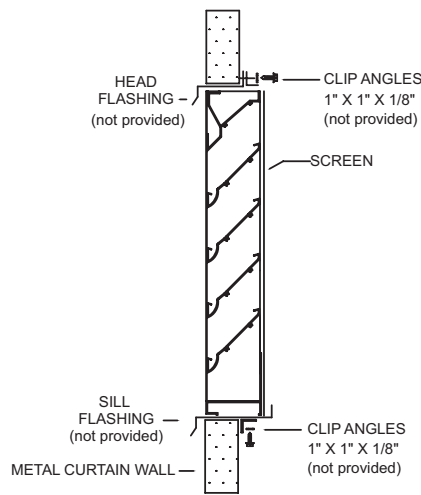
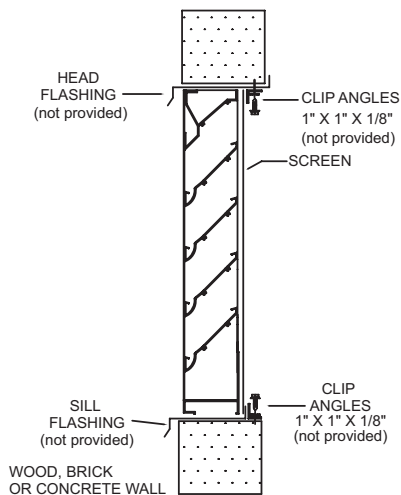
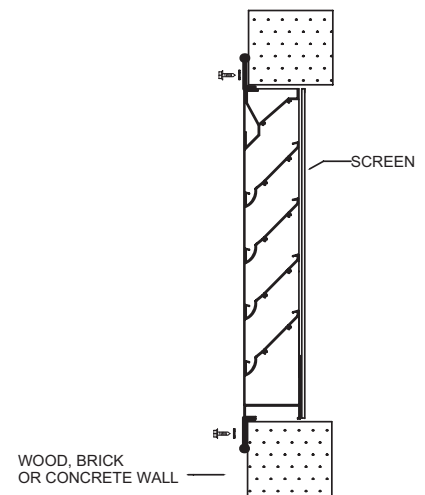


Figure 1



Flange Mount

LIMITED WARRANTY

All products manufactured are warranted by Air Conditioning Products Company (ACP) to be free from original defects in workmanship for a period of one year from date of shipment, under conditions of normal use and service. ACP will replace or repair any defective parts upon return to our plant, freight prepaid. This limited warranty will, in no way, include the payment of labor charges for field replacement of defective parts, installation, repairs of adjustments, or any other work done. Back charges will not be accepted for any reason unless ACP has given prior written permission, nor will ACP be responsible for consequential damages of any character, no limited warranty expressed or implied will supersede the foregoing.

Manufactured for Air Conditioning Products Co.
30350 Ecorse Road • Romulus, MI 48174
acpshutters.com