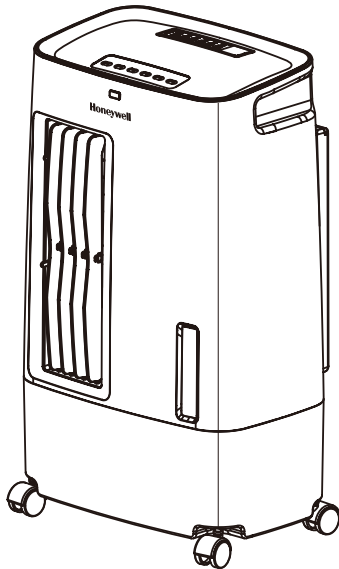


Honeywell

Portable Evaporative Air Cooler
for Indoor Use
Enfriador de Aire Portátil por Evaporación
Para Uso En El Interior



OWNER'S MANUAL

Read and save these instructions before use

Manual del Usuario

Leer y guardar estas instrucciones antes de usar

Model: CS071AE
Modelo: CS071AE

Power rating: 50 Watts
Voltage rating: 120 Volt AC, 60Hz
Potencia: 50 Watt
Voltage: 120 Volt AC, 60Hz

For product inquiries or support, visit www.honeywellaircoolers.com
Para consultas sobre productos o soporte técnico visite: www.honeywellaircoolers.com

Customer Support : 1-800-474-2147
Centro de servicios al cliente: 1-800-474-2147

Made in P.R.C.
Fabricado en China



Fill with water and plug into a standard power outlet.

Note: Please make sure the household power voltage matches the product specifications.



Place near an open door or window.

Note: Evaporative air cooler requires cross ventilation.



Turn ON and enjoy the cooling breeze.

Note: Start with LOW speed and gradually increase to higher speed for optimum cooling performance.

Read all instructions carefully before setting up and operating the cooler, and please keep this instruction manual for future reference. This manual is designed to provide you with important information needed to setup, operate, maintain, and troubleshoot your cooler. Failure to follow these instructions may damage and/or impair its operation and void the warranty.

SECTION	PAGE
1. THANK YOU	2
2. USER TIPS	3
3. SAFETY	5
4. PARTS DESCRIPTION	7
5. USE & OPERATION	8
Control Panel	8
Function Buttons	9
Remote Control	11
Filling with Water	12
6. CLEANING & MAINTENANCE	13
7. TROUBLESHOOTING GUIDE	15
8. TECHNICAL SPECIFICATIONS	17
9. ELECTRICAL WIRING DIAGRAM	17
10. SERVICE AND WARRANTY	18

Congratulations on your purchase of this versatile Honeywell Evaporative Air Cooler. For optimum cooling from your cooler, fill the water tank to maximum level.

Cooler Location – Indoors (Important - Please Read!)

Place the cooler in front of an open door or window. Ensure that there is adequate cross-ventilation in the room by leaving a door or window open opposite the cooler.

Following these guideline will ensure your cooler will work as effectively as possible.

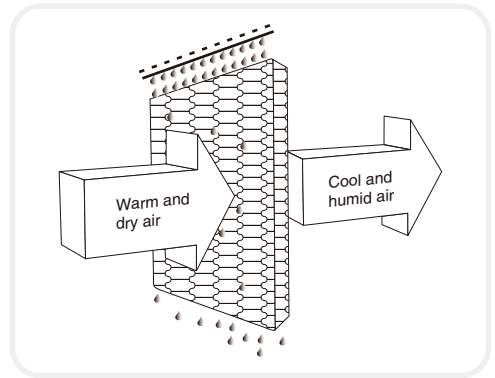
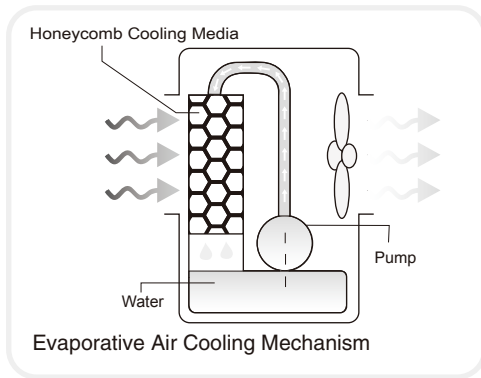
Not an Air Conditioner (Important - Please Read!)

The evaporative air cooler is not an air conditioner as it does not use a compressor or refrigerant gas. It should not be expected to cool as efficiently as a refrigerated air conditioner.

USER TIPS

Energy Efficient, No Compressor

Honeywell Evaporative Air Coolers are built to maximize energy efficiency and keep costs low. Warm air is drawn into the cooler through a dust and odor-reducing carbon filter and enters the Honeycomb Cooling Media. Water pumped from the tank pours over the Honeycomb Cooling Media. As the warm air passes through the Honeycomb Cooling Media, the water absorbs the heat, naturally cooling and humidifying the air. A fan propels the cooled air out into the room. This no-compressor system cools naturally, efficiently and inexpensively.



The recommended maximum relative humidity level is 60% or less, which allows a noticeable temperature decrease. The temperature decrease will be greater in drier climates because higher evaporation occurs when the humidity is low.

The evaporative air cooler should not be used in enclosed spaces. It must be kept level and there must be water in the water tank. The room should have doors and windows opened to allow free air flow. The evaporative air cooler works best when placed near an open window, so that outside air is drawn into the evaporative air cooler, the air circulates in the room, then exits via the door. The maximum cooling effect is felt when a person is in the flow of air coming out of the evaporative air cooler.

The evaporative air cooler can also be used to humidify dry air during cool weather. To be used for humidification the windows and doors should be closed to allow the humidified air to accumulate.



Room with open windows & door
(RECOMMENDED)



Room with closed windows & door
(NOT-RECOMMENDED)

NOTE

When the product is used for the first time the Honeycomb Cooling Media will have an odor which will dissipate in a few hours of initial use.



SAFETY

READ AND SAVE THESE INSTRUCTIONS:

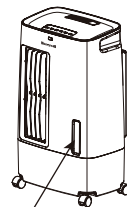
When using electrical appliances, basic safety precautions should always be followed:

- Your cooler runs on 120 Volt AC, 60 Hz current. Check the household voltage to ensure it matches the appliance's rate specification.
- Before operating the product remove it from its packaging and check that it is in good condition.
- DO NOT operate any product with a damaged cord or plug. We recommend not using an extension cord with this appliance.
- DO NOT run power cord under carpeting, or cover it with rugs or runners. Keep the cord away from areas where it may be tripped over.
- Always unplug the product before refilling the water tank.
- Always unplug the appliance from the power source before cleaning, servicing or relocating the unit.
- Remove the power cord from the electrical receptacle by grasping and pulling on the power cord plug-end only, never pull the cord.
- DO NOT use the product in areas where gasoline, paint or other flammable goods and objects are stored.
- When using the COOL setting, check the water tank to ensure that it is full. Operation of this cooler on the COOL setting with an empty tank may result in damage to the water pump.



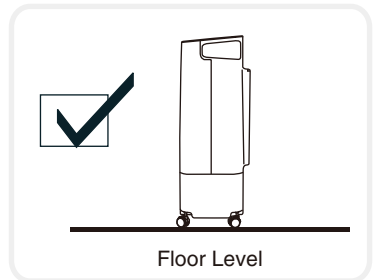
120V - 60 Hz

Shock Hazard

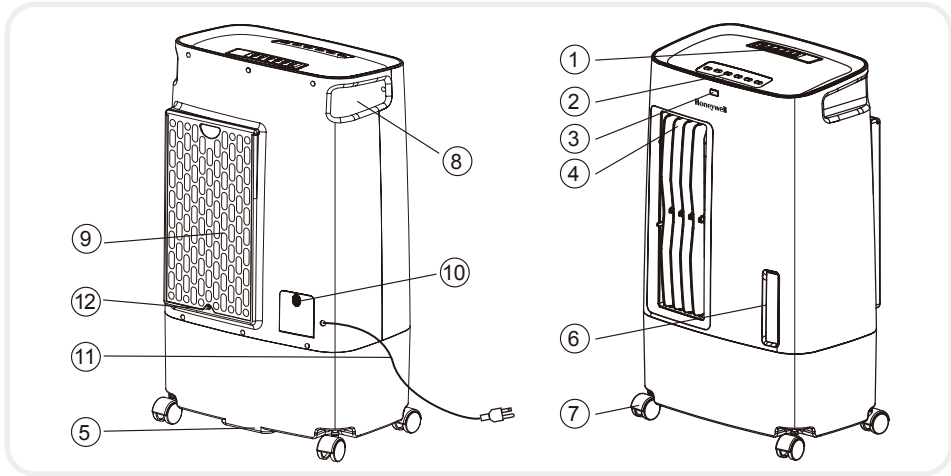


Water Level Indicator

- DO NOT attempt to repair or adjust any electrical or mechanical functions of the cooler, as this may void the warranty.
- DO NOT cover the air inlet or outlet on the appliance as this may cause motor damage.
- DO NOT insert or allow objects to enter any ventilation or exhaust opening as this may damage the product and could cause an electrical shock or fire.
- DO NOT operate with the Honeycomb Cooling Media removed as this will overload and damage the motor.
- DO NOT leave the operating appliance unattended for any extended period of time.
- DO NOT let children play with this appliance, packaging or plastic bags.
- If the unit is damaged or it malfunctions, do not continue to operate it. Refer to the troubleshooting section and seek professional advice.
- Place the unit on a level floor.
- This product is not intended for use in wet or damp locations.
- DO NOT use in bathrooms. Never locate the product where it may fall into a bathtub or other water container.
- Store in a dry area when not in use.
- This appliance is not intended for use by persons (including children or elderly) with reduced physical, sensory or mental capabilities, or lack of experience and knowledge, unless they have been given supervision or instruction concerning use of the appliance by a person responsible for their safety.
- Always grip the side handles to move the cooler.
- Warning: To reduce the risk of fire or electric shock, do not use this appliance with any solid space speed control device.



PARTS DESCRIPTION



- 1 Remote Control
- 2 Control Panel
- 3 Remote Control Receptor
- 4 Vertical Louvers
(Automatic Movement with SWING)
- 5 Drain Plug
- 6 Water Level Indicator

- 7 Casters
- 8 Side Handle
- 9 Back Grill
- 10 Water Fill Door
- 11 Power Cord & Plug
- 12 Rear Grill Removal Screw

ACCESSORIES:

Remote Control (1pc Li batteries CR2032 included)

Control Panel




Function Buttons



POWER


POWER

Press the  button to turn the unit on. The cooler will start automatically at medium speed. After a few seconds the speed will switch to low. To turn the unit off, press the button again.



SPEED


SPEED

Press the  button repeatedly and the speed will change. The indicator light will show the selected speed. High (Hi), Medium (Med) & Low (Lo).



COOL

COOL


To begin cooling the desired area, press the  button. The indicator light will come on and the water pump will operate. You will feel the cooler air after the honeycomb media is completely wet.

Function Buttons



SWING


SWING

Press the  button. The indicator light will come on and the vertical louvers will begin to move from right to left automatically. Horizontal louvers movement is manual.



TIMER


TIMER

Press the  button until the indicator light comes on to your desired timer. Once the set time has passed, the unit will automatically shut off. The Timer function allows you to program the unit for up to 7.5 hours of use.



SLEEP

SLEEP

The SLEEP mode is for comfort during the night. When the  mode is selected, the airflow will randomly vary between High, Medium and Low.

Remote Control

Power : On/ Off

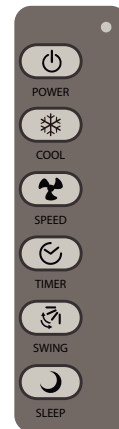
Cool : Controls cooling or fan option

Speed : Low / Medium / High

Timer : Controls timer function for automatic shut off

Swing : Controls the motion of the vertical louvers

Sleep : Turns on the sleep mode



Remote Control (1pc Li batteries CR2032 included)

NOTE

- Open the battery compartment at the back of the remote control and insert 1pc Li batteries CR2032. Care must be taken to insert the batteries according to the correct polarity (+ / -) markings shown inside the battery compartment.
- Always point the remote control signal transmitter towards the unit when operating.
- Make sure that the signal path is not obstructed.
- Remove the batteries if the unit is not going to be used for an extended period of time.
- Do not drop the remote control.
- Do not mix different types of batteries such as alkaline, carbon-zinc, or rechargeable batteries.
- Do not mix old and new batteries.
- Exhausted batteries are to be removed from the product.



CAUTION

Unplug from power when refilling.

**Filling With Water**

Unplug the air cooler from power supply.

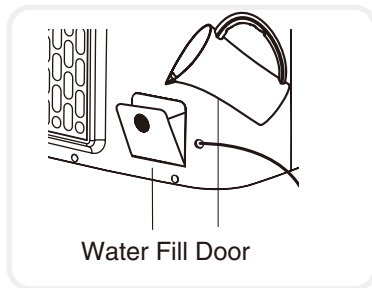
Check water level indicator located on the front of the unit to determine the level of water inside the water tank. The water tank of this cooler holds up to 1.85 gallons of water. Be sure water in the tank is always above the minimum water level mark.

To refill the water tank, open the Water Fill Door located on the backside panel and fill water to the Max Level, as indicated on the Water Level Indicator. Do not fill water above the Max water level mark.

After refilling the water tank close the water fill door, connect the power supply and turn on.

Note :

Running the unit with inadequate water may cause pump failure.



Important



- The cooler is supplied with Honeycomb Cooling Media.
- The cleaning frequency for the Honeycomb Cooling Media depends on local air and water conditions. In areas where the mineral content of water is high, mineral deposits may build up on the Honeycomb Cooling Media and restrict air flow. Draining the water reservoir and refilling with fresh water at least once a week will help reduce mineral deposits. If mineral deposits remain on the Honeycomb Cooling Media, it should be removed and washed under fresh water. The Honeycomb Cooling Media should be cleaned every two months or sooner, depending on your needs.
- Do not run the unit in COOL mode with stale water in the tank. Empty the tank and refill it with fresh water if the water has been standing in the tank for an extended period of time.
- For best results, allow the Honeycomb Cooling Media to dry after each use by turning off the cool function 15 minutes before turning the unit off.

WARNING

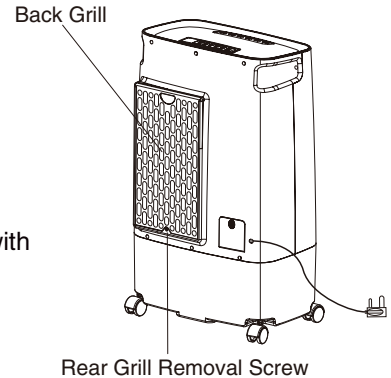
- Before cleaning the unit, switch it to the off position and unplug from the power socket.
- To clean the outside, use a damp cloth to remove dirt and dust.
- Never use corrosive elements or any chemicals to clean this product.
- When the product is not in use, store the unit in a dry place out of direct sunlight.

Draining and Cleaning The Water Tank

- Turn the power off and disconnect the air cooler from the power supply.
- Move the unit to a location where it can be drained.
- Remove the water drain plug (part 5) and allow the tank to empty (see parts description on page 7).
- Refill the water tank up to the maximum level with clean water and drain it completely.
- Fill water tank and rinse at least 2-3 times before use.
- Plug into the power supply and turn on unit.

Cleaning The Honeycomb Cooling Media & Carbon Filter

- Turn off the unit, and unplug the power cord from wall outlet.
- Rotate the unit facing the back panel, locate the Rear Grill Removal Screw (refer page 7, part 12) and remove with the help of a screw driver.
- Pull the back grill panel upwards, until it is completely removed.
- The Honeycomb Cooling Media & Carbon Filter can now be seen. Clean the Carbon Filter & Honeycomb Cooling Media with clean cloth to remove all the dust & dirt particles.
- Once cleaning is finished, reassemble the unit as described above.
- Plug into the power supply and turn on unit.



The air cooler is now ready to be used. This cleaning process should be repeated monthly to maintain the integrity of the unit and to remove particles filtered from the air.

TROUBLESHOOTING GUIDE

PROBLEM	POSSIBLE CAUSE	SOLUTION
No discharge of air	Cord is not plugged in.	Make sure power cord is plugged in and the supply switch is ON.
	Power is not ON.	Turn the unit ON by pressing button on the control panel or remote control.
Not Cooling / Unit is making noise	Pump is not turned ON.	Turn on COOL function from remote or control panel.
	Low or no water in tank, when COOL is selected.	Refill water tank.
	Damaged Pump or Calcium deposits on blower.	Contact Customer Service Center.
Odors	When the Cooler is new.	When the unit is used for the first time, the Honeycomb Cooling Media may have an odor, which will dissipate within a few hours of initial use.
	If the Cooler has been used.	There may be an algae issue. Replace the Honeycomb Cooling Media.

PROBLEM	POSSIBLE CAUSE	SOLUTION
The unit does not respond	Remote control batteries.	Check batteries. Replace if needed. Try to operate using the control panel.
	Damaged Control Panel on unit.	Try to activate the unit with the Remote Control. If the unit responds, then the Control Panel on the unit may be experiencing problems - contact the Customer Service Center.
		If neither the Remote Control or the Control Panel is working, contact the Customer Service Center.

Customer Support: 1-800-474-2147

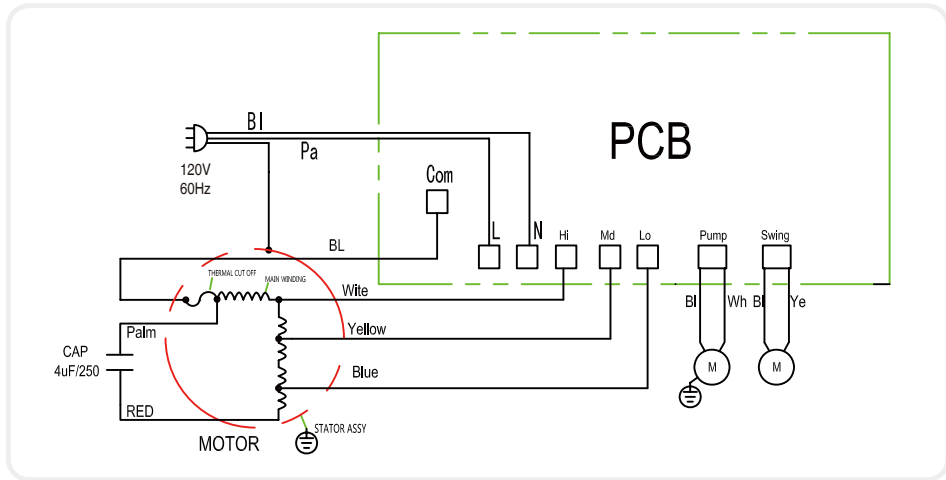
TECHNICAL SPECIFICATIONS

MODEL NO.

CS071AE

Voltage	120V~
Frequency	60Hz
Ampere	0.45A
Wattage	50 Watts
Water Tank Capacity	1.85 Gallons
Cooling Media	Honeycomb
Product Dimension (inch)	15.0(W) x 9.8(D) x 25.4(H) inch
Net Weight	12.3 lbs

Electrical Wiring Diagram



1-YEAR LIMITED WARRANTY

Read all the instructions before attempting to use this product.

This 1 year limited warranty applies to repair or replacement product found to be defective in material or workmanship.

- A. This warranty does not apply to any damage resulting from commercial, abusive, unreasonable use or supplemental damage. Defects that are the result of normal wear and tear will not be considered manufacturing defects under this warranty.

JMA NORTH AMERICA LLC IS NOT LIABLE FOR INCIDENTAL OR CONSEQUENTIAL DAMAGES OF ANY NATURE. ANY IMPLIED WARRANTY OF MERCHANTABILITY OR FITNESS FOR A PARTICULAR PURPOSE ON THIS PRODUCT IS LIMITED IN DURATION TO THE DURATION OF THIS WARRANTY.

Some jurisdictions do not allow the exclusion or limitation of incidental or consequential damages or limitations on how long an applied warranty lasts, so the above limitations or exclusions may not apply to you. This warranty gives you specific legal rights, and you also may have other rights which vary from jurisdiction to jurisdiction. This warranty applies only to the original purchaser of this product from the original date of purchase.

- B. At its option, JMA NORTH AMERICA LLC will repair or replace this product if it is found to be defective in material or workmanship.
- C. This warranty does not cover damage resulting from any unauthorized attempts to repair or from any use not in accordance with the instruction manual.

SERVICE AND WARRANTY

D. Please read the Instruction Manual carefully before setting up or using this product. If you believe this product to be suffering from a manufacturing fault, or if you have inquiries about this product, please contact our Customer Support:

CUSTOMER SUPPORT
JMA North America LLC
Mahwah, New Jersey 07495 USA
Phone : 1-800-474-2147
Email: info@jmana.us
Web: www.honeywellaircoolers.com

When contacting our Customer Support, please have the information below along with the proof of purchase. All warranty requests must be accompanied by a proof of purchase, which is a copy of the original receipt.

Model :
Date of purchase:
Purchased from :



Llene con agua y conecte a una toma de corriente estándar.

Nota: Por favor, asegúrese de que la toma de corriente esta ajustada a la configuración correcta de acuerdo con las especificaciones del producto.



Colocar cerca de una puerta o ventana abierta.

Nota: Enfriadores de aire por evaporación trabajan con el mecanismo de enfriamiento por evaporación que requiere una ventilación cruzada



Encienda y disfrutar de la brisa fresca.

Nota: Comience con velocidad baja y aumentar gradualmente a una velocidad más alta para un rendimiento óptimo de enfriamiento.

Lea todas las instrucciones cuidadosamente antes de de instalar y operar la unidad, y por favor mantenga este manual de instrucciones para referencia futura. Este manual está diseñado para ofrecerle información importante necesaria para instalar, operar, mantener y solucionar problemas de su enfriador. No seguir estas instrucciones puede dañar y / o poner en peligro el funcionamiento y anular la garantía.

SECCION	PAGINA
1. GRACIAS	21
2. CONSEJOS PARA EL USUARIO	22
3. REGLAS DE SEGURIDAD	24
4. DESCRIPCIÓN DE PARTES	26
5. USO Y OPERACIÓN	27
Panel de Control	27
Botones de Funciones	28
Control Remoto	30
Llenado de Agua	31
6. LIMPIEZA Y MANTENIMIENTO	32
7. GUIA DE SOLUCION DE PROBLEMAS	34
8. ESPECIFICACIONES TÉCNICAS	36
9. DIAGRAMA DE CABLEADO ELÉCTRICO	36
10. SERVICIO Y GARANTIA	37

Felicitaciones por su compra de este versátil enfriador evaporativo Aire Honeywell. para una refrigeración óptima de su refrigerador, llene el tanque de agua hasta el nivel máximo.

Importante: Colocación de Enfriador - Para uso en el interior

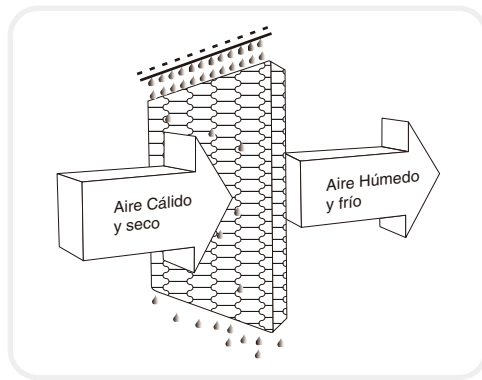
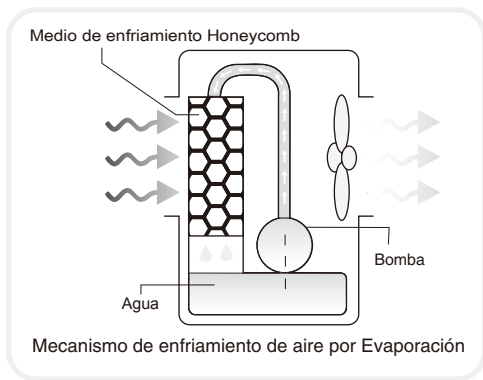
Situe el enfriador en frente de una ventana o puerta abierta. Asegurese que hay una adecuada ventilación en la estancia dejando una puerta o ventana abierta en el otro lado del enfriador. Si sigue estas instrucciones se asegurará que su enfriador trabajará de forma efectiva.

Importante: No es un Aire Acondicionado

El enfriador de aire evaporativo no es un aire acondicionado ya que no utiliza un compresor o gas refrigerante. No debería esperar que enfrie tan bajo como un aire acondicionado.

FRÍO ~ EFICIENTE ~ NATURAL

El enfriamiento de aire por evaporación es la manera más natural de enfriamiento, similar a una brisa que recorre un lago. Esta disminución de la temperatura de esta brisa produce un efecto refrescante y relajante en las personas. El enfriador de aire evaporativo refresca el aire por medio de la evaporación del agua. Cuando el agua se evapora del aire, se obtiene como resultado una mezcla de moléculas de aire y agua. Este intercambio químico requiere calor que es tomado de las moléculas del agua, resultando un enfriamiento de la temperatura del aire que sale del aparato.



El nivel recomendado de humedad relativa máxima es 60% o menos, lo que permite que se aprecie un descenso en la temperatura. La disminución de temperatura será mayor en los climas mas secos, porque una mayor evaporación es producida cuando la humedad es baja.

El enfriador de aire no debe ser utilizado en espacios cerrados. Se debe mantener el nivel de agua en el tanque. La habitación debe tener puertas y ventanas abiertas para permitir el flujo de aire libre. El enfriador de aire por evaporación funciona mejor cuando se coloca cerca de una ventana abierta, de modo que el aire exterior es succionado por el enfriador, el aire circula en el cuarto, y luego sale a través de la puerta o ventana. El efecto de enfriamiento máximo se siente cuando la persona esta ubicado directamente en el flujo de aire que sale desde el enfriador.

El enfriador de aire también puede ser utilizado para humidificar el aire seco durante el invierno. Para poder utilizarlo como un humidificador, las puertas y ventanas deben estar cerradas para permitir que se acumule el aire humidificado. El enfriador de aire por evaporación no es un aire acondicionado, ya que no utiliza un compresor o un gas refrigerante. No se debe esperar que enfrie el ambiente tan eficientemente como un aire acondicionado de refrigeración.

NOTA

Cuando se utiliza el producto por primera vez el panel Honeycomb de enfriamiento emitirá un olor q se disipara aproximadamente en una semana después del uso inicial.



Operar con la ventana y puerta abierta (RECOMENDADO)



Operar con la ventana y puerta cerrada (NO RECOMENDADO)



REGLAS DE SEGURIDAD

Leer y guardar estas instrucciones:

Cuando se usan aparatos eléctricos, las precauciones básicas de seguridad siempre se deben seguir.

- Su enfriador funciona con 120 Voltios , 60 Hz de corriente. Compruebe la tensión de la casa para asegurarse de que coincida con la especificación de potencia del aparato.
- Antes de utilizar el producto de sacarlo de su embalaje y comprobar que esta en buenas condiciones.
- NO utilice ningún producto con un cable o enchufe dañado. No se recomienda utilizar un cable de extensión con este aparato.
- NO pasar el cable eléctrico por debajo de alfombras. Mantener el cable lejos de areas donde pueda causar tropiezos.
- Desenchufe siempre el producto antes de volver a llenar el tanque de agua.
- Siempre desconecte el aparato de la fuente de alimentación antes limpieza, mantenimiento o reubicación de la unidad.
- Remover el cable eléctrico del toma corriente agarrar y jalar solo del enchufe, nunca jalar del cable.
- NO use el producto en areas donde se encuentren productos inflamables como gasolina o pintura.
- Al usar el ajuste COOL, por favor revisar que el tanque de agua se encuentre lleno. El funcionamiento de esta unidad en el ajuste COOL con un tanque vacio puede resultar en danos a la bomba de agua.



120V - 60 Hz

Peligro De Descarga Electrica



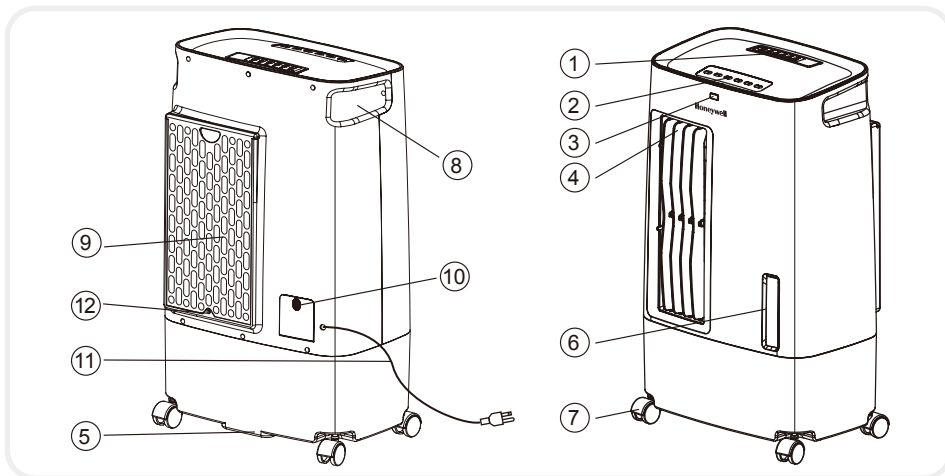
Indicador de Nivel de Agua

REGLAS DE SEGURIDAD

- NO intente reparar o ajustar cualquier función mecánica o eléctrica del enfriador, ya que esto puede anular la garantía.
- NO cubra la salida o entrada de aire en el enfriador, ya que esto puede causar daños al motor.
- No introduzca ni permita que objetos ingresen en el sistema de ventilación o escape ya que esto puede dañar el producto y causar una descarga eléctrica o incendio.
- No opere sin el panel Honeycomb, ya que esto sobrecarga y daña el motor.
- NO deje el aparato sin vigilancia de funcionamiento por un periodo de tiempo prolongado.
- NO permita que los niños jueguen con el aparato, el empaque o bolsas de plástico.
- Si la unidad está dañada o no funciona adecuadamente, descontinúe su uso. Consulte la sección de solución de problemas y/o por favor busque ayuda profesional.
- Coloque la unidad en un piso nivelado.
- Nunca coloque el producto donde pueda caer en un recipiente con agua como la tina de baño. No usar en baños.
- Cuando no esté en uso, siempre almacénelo en un área seca.
- Este aparato no está diseñado para el uso de niños, personas mayores, personas con capacidad física, sensoriales, o mental reducidas, o con falta de experiencia y conocimiento, a menos que han sido supervisadas o instruidos acerca del uso del aparato por una persona responsable por su seguridad.
- Siempre utilice las manijas para movilizar la unidad.
- Advertencia: Para reducir el riesgo de incendios o descargas eléctricas, no utilice este aparato con cualquier dispositivo de velocidad de estado sólido de control.



DESCRIPCIÓN DE PARTES



- 1 Control Remoto
- 2 Panel De Control
- 3 Receptor de control remoto
- 4 Deflectores Verticales
(Movimiento Automático Con Swing)
- 5 Drenaje Plug
- 6 Indicador Del Nivel De Agua

- 7 Ruedas
- 8 Manija Lateral
- 9 Volver Grill
- 10 Tanque De Agua
- 11 Enchufe Y Cordón Eléctrico
- 12 Tornillos De La Rejilla
Posterior Eliminación

ACCESORIOS:

Control Remoto (CR2032 incluidas)

Panel De Control




Botones de Funciones



POWER


POWER

Presione el botón  para encender la unidad. Para apagarla, presione el botón nuevamente. La unidad enfriadora arrancará automáticamente a una velocidad media. Luego de unos pocos segundos la velocidad cambiará a baja.



SPEED


SPEED

Presione el botón  repetidamente y la velocidad cambiará. La luz indicadora mostrará la velocidad seleccionada. Alta (High) Media (Med) y Baja (Low).



COOL

COOL


Para comenzar a enfriar el área deseada presione el botón . Se encenderá el indicador y la bomba de agua funcionará. Puede sentir el aire más frío luego de que el medio Honeycomb esté completamente mojado.

Botones de Funciones



SWING


SWING

Presione el botón . La luz indicadora se encenderá y los deflectores comenzarán a moverse de derecha a izquierda automáticamente. Ajuste manualmente los deflectores horizontales para cambiar el flujo de aire vertical.



TIMER


TIMER

Presione el botón  hasta que la luz indicadora vaya a su tiempo deseado. Una vez que el tiempo haya pasado, la unidad se apagará automáticamente. La función Temporizador le permite programar la unidad hasta 7.5 hs de uso.



SLEEP

SLEEP

La opción para dormir es para estar cómodo durante la noche. En  modo la unidad funciona en un ciclo aleatorio de un combinación de OFF, BAJO, MEDIO y ALTO para simular un dormir.

Control Remoto

Power : Si / No

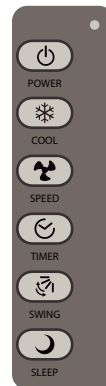
Cool : Controla la función tipo viento

Speed : Baja / Media / Alta

Timer : Ajustar para q la unidad se apague automáticamente después de un periodo de horas determin

Swing : Controla el movimiento de los deflectores

Sleep : Activa el modo de reposo



Control Remoto (CR2032 incluídas)

NOTA:

- Por favor abra el compartimiento de pilas en la parte trasera del control remoto e inserte dos pilas secas CR2032 nuevas. Debe tenerse cuidado de colocar las pilas con su polaridad correcta (+ / -) según las marcas del interior del compartimiento de pilas.
- Siempre apunte el transmisor de señal de control remoto hacia la unidad cuando se opera.
- Asegúrese de que la trayectoria de la señal no este obstruido.
- Remueva las baterías del control remoto si no va a ser usada por un tiempo prolongado.
- No dejar caer el control remoto.
- No mezclar diferentes tipo de pilas como alcanila, carbon-zinc o pilas recargables.
- No mezclar pilas viejas y nuevas.
- Pilas caducadas deben ser removidas del producto.



CUIDADO

desenchufar la unidad cuando se llene de agua.

**Llenado de Agua**

Desenchufe el refrigerador del aire de alimentación.

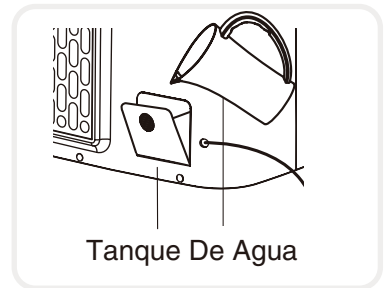
Compruebe el indicador de nivel de agua situado en la parte frontal de la unidad para determinar el nivel de agua dentro del tanque de agua. el agua tanque de este refrigerador tiene capacidad para 7 litros de agua. Asegúrese agua en el depósito siempre está encima de la marca de nivel de agua mínimo.

Para rellenar el tanque de agua, abrir la puerta de llenado de agua situado debajo en el lado trasero y llenar de agua al nivel máximo, como se indica en el indicador de nivel de agua. No llene de agua por encima de la máxima marca de nivel de agua.

Después de rellenar el tanque de agua cierre el llenado de agua puerta, conecte la fuente de alimentación y enciéndalo.

Nota:

Ejecución de la unidad con agua inadecuada puede causar la bomba fracaso.



Importante



- El refrigerador se suministra con los medios de refrigeración de nido de abeja.
- La frecuencia de limpieza de la prensa Honeycomb depende del aire y del agua condiciones. En las zonas donde el contenido mineral del agua es alta, los depósitos minerales pueden acumularse en los medios de refrigeración de nido de abeja y restringir el flujo de aire. Vaciado del depósito de agua y recarga con agua fresca por lo menos una vez a la semana ayudará a reducir los depósitos minerales. Si los depósitos minerales permanecen en el nido de abeja de prensa, los medios de comunicación deben ser retirados y lavados con agua fresca. Los medios de comunicación deben limpiarse cada dos meses, o antes, dependiendo de sus necesidades.
- No haga funcionar la unidad en modo COOL con agua estancada en el depósito. Vacíe el tanque y llenarlo con agua dulce si el agua ha sido estancada en el depósito durante un período prolongado de tiempo.
- Para obtener los mejores resultados, permita que los medios de refrigeración de nido de abeja para secar después de cada uso, apagando el función enfriar 15 minutos antes de apagar el aparato.

Precaucion

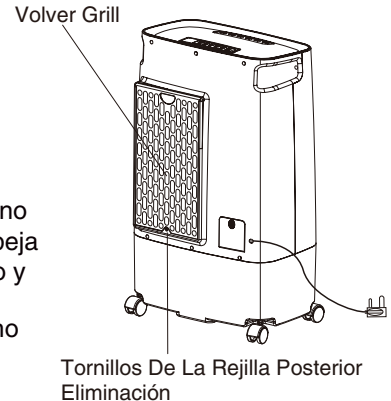
- Antes de limpiar la unidad, apague la unidad utilizando el botón de encendido y desenchufe la unidad.
- Para limpiar el exterior, utilice un paño húmedo para remover la suciedad y polvo.
- Nunca use elementos corrosivos o algún químico para limpiar este producto.
- Cuando este producto no este en uso, guarde la unidad en un lugar seco lejos de la luz del sol.

Vaciado Y Limpieza Del Depósito De Agua

- Apagar el equipo y desconectar de la toma corriente.
- Mover la unidad a un lugar donde puede ser drenado.
- Retire la tapa del tapón de drenaje de agua (parte 5) y deje que el tanque se vacíe (ver descripción de las piezas en la página 26).
- Vuelva a llenar el depósito de agua hasta el nivel máximo de agua limpia y vaciar por completo.
- Llene el tanque de agua y enjuague por lo menos 2-3 veces antes de usar.
- Conecte a la fuente de alimentación y encienda la unidad.

Limpieza El Panel de refrigeración Medios y filtro de carbón

- Apague la unidad y desenchufe el cable de alimentación de la toma de corriente.
- Gire la unidad hacia la parte posterior, localice el trasero Grill tornillo de extracción (consulte la página 26, parte 12) y retire con la ayuda de un destornillador.
- Tire hacia arriba de la parrilla del panel posterior, hasta que esté completamente eliminado.
- Los medios de refrigeración y filtro de nido de abeja de carbono puede ser ahora visto. Limpie el filtro de carbono y nido de abeja con un paño limpio para eliminar todas las partículas de polvo y suciedad.
- Una vez finalizada la limpieza, vuelva a montar la unidad como se ha descrito anteriormente.
- Conecte a la fuente de alimentación y encienda la unidad.



La unidad ahora está lista para usarse. Esto debería repetirse mensualmente para mantener la integridad de la unidad y eliminar las partículas filtradas del aire.

GUIA DE SOLUCION DE PROBLEMAS

PROBLEMA	POSIBLE CAUSA	SOLUCIÓN
No hay salida de aire	Cable eléctrico no esta conectado	Asegúrese que el cable eléctrico este enchufado y el interruptor de alimentación en "ON"
	La unidad no esta encendida	Intente prender la unidad apretando los botones en el panel de control o en el control remoto
No enfría / La unidad hace ruido	Bomba de agua no esta prendida	Encienda la función "COOL" en el panel de control o en el control remoto
	Nivel de agua bajo o vacio en el tanque de agua, cuando se selecciona función "COOL"	Rellenar el tanque de agua
	Bomba de agua dañada o depósitos de calcio en el soplador	Contacte el centro de servicio
Emisión de olor	Nueva unidad	Cuando la unidad es utilizada por primera vez, el panel "Honeycomb" emite un olor que será disipado en una semana después del uso inicial.
	Unidad usada	Puede haber depósitos de algas en el panel "Honeycomb" - Cambiar el panel.

Atención al cliente: 1-800-474-2147

PROBLEMA	POSIBLE CAUSA	SOLUCIÓN
La unidad no responde	Cambiar las baterías del control remoto (* Solamente las unidades que tienen control remoto)	Revisar las baterías cambiarlas si es necesario. Intente operar desde el panel del control.
	Panel de Control dañado	Intente usar el control remoto. Si la unidad responde, ajustar los sujetadores del panel PCB. Contacte el centro de servicio Si no funciona el control remoto o el panel de control, el panel de PCB podría estar dañado. Pro favor contacte el centro de servicio.

Atención al cliente: 1-800-474-2147

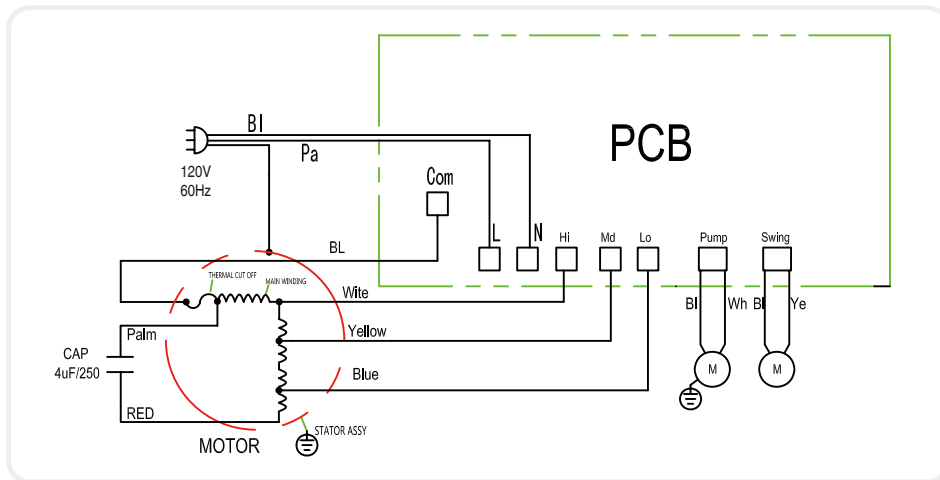
ESPECIFICACIONES TÉCNICAS

Modelo No.

CS071AE

Tensión	120V~
Frecuencia	60Hz
Amperio	0,45A
Vatio	50 Watts
Capacidad del tanque de agua	7 Litros
Medios de enfriamiento	Honeycomb
Dimensiones del Producto (mm)	380(W) x250(D) x644(H) mm
Peso Neto	5,6 Kg

Diagrama De Cableado Eléctrico



GARANTÍA LIMITADA DE 1 AÑO

Lea todas las instrucciones antes de intentar utilizar este producto.

Esta garantía limitada de un año se aplica a la reparación o sustitución del producto siempre que haya algún defecto de material o de manipulación.

- A. La garantía no cubre ningún daño resultante de un uso comercial, abusivo o irracional, ni daños causados intencionadamente. Los defectos resultantes del uso normal y la rotura no se considerarán defectos de fabricación a efectos de esta garantía.

JMA NORTH AMERICA LLC NO ES RESPONSABLE DE LOS DAÑOS SECUNDARIOS O DERIVADOS DE NINGUNA NATURALEZA. CUALQUIER GARANTÍA TÁCITA DE COMERCIABILIDAD O DE PREPARACIÓN PARA UN USO CONCRETO DE ESTE PRODUCTO QUEDA LIMITADA A LA DURACIÓN DE ESTA GARANTÍA.

Algunas jurisdicciones no permiten la inclusión o limitación de los daños accidentales o derivados del uso o sobre el periodo de duración de la garantía, de forma que las limitaciones indicadas pueden no afectarle. Esta garantía le otorga derechos legales específicos, pero usted también puede tener otros derechos que varíen de una jurisdicción a otra. Esta garantía solamente se aplicará al comprador original del producto y comenzará en la fecha original de la compra.

- B. Dado el caso, JMA NORTH AMERICA LLC reparará o sustituirá este producto si se detecta algún defecto de material o de manipulación.
- C. La garantía no cubre el daño causado por cualquier intento no autorizado de reparar el producto, ni el derivado de no utilizarlo de acuerdo con el manual de instrucciones.

D. Por favor, lea el manual de instrucciones detenidamente antes de configurar o de utilizar este producto. Si considera que este producto sufre un defecto de fabricación, o si tiene dudas sobre el mismo, por favor contacte con nuestro Servicio de Atención al Cliente:

CUSTOMER SUPPORT

JMA North America LLC

Mahwah, New Jersey 07495 USA

Phone : 1-800-474-2147

Email: info@jmana.us

Web: www.honeywellaircoolers.com

Cuando contacte con nuestro Servicio de Atención al Cliente, por favor tenga la siguiente información preparada como prueba de compra. Todas las solicitudes de cobertura de la garantía tendrán que ir acompañadas de una prueba de compra, que será una copia de la factura original.

Model :

Fecha de compra:

Punto de venta :

JMA North America LLC
Mahwah, New Jersey 07495 USA
Phone : 1-800-474-2147
Email: info@jmana.us
Web: www.honeywellaircoolers.com

November 2013
© 2013 AirTek Int'l Corp. Ltd. All rights reserved.
The Honeywell Trademark is used under license from
Honeywell International Inc.
Honeywell International Inc. makes no representations
or warranties with respect to this product.
This product is manufactured by Airtek Int'l Corp. Ltd.

Honeywell