

COLUMBIA PRODUCTS

SANI-LAV[®]

Operating Manual for Floor Mounted Sinks
Models 521FL, 521FL-1.0 and 521FL-0.5



Columbia does not recommend use with harsh chemicals.
NSF/ANSI Standard 2 - Food Equipment and NSF/ANSI 372 low-lead.

Parts List

- (1) Sink bowl
- (1) Pedestal base
- (1) Set of 6 mounting nuts to attach bowl to pedestal base
- (1) 8" on center faucet
- (1) Faucet mounting kit - Model SMK
- (1) Strainer assembly with basket

Tools Required

- Tape Measure
- Adjustable Wrench
- Drill Motor and Drill Bits
- Pipe Wrench
- Level
- Safety Glasses
- Screw Drivers: 1 Phillips & 1 Standard
- Pencil
- Socket Wrench

Installation Instructions

Step 1

1. Attach bowl to pedestal base by slipping bolts on bowl through openings on pedestal base as shown in illustration A.
2. Tighten the 6 nuts to the threaded bolts under bowl. Do not over-tighten. There are 6 bolts that will securely hold the bowl in place.



Illustration A

Step 2

1. Place the sink at the desired location.
2. Mark the floor where the four holes are at the pedestal base as shown in illustration B.
3. Drill holes as required for mounting hardware. (Hardware not included)

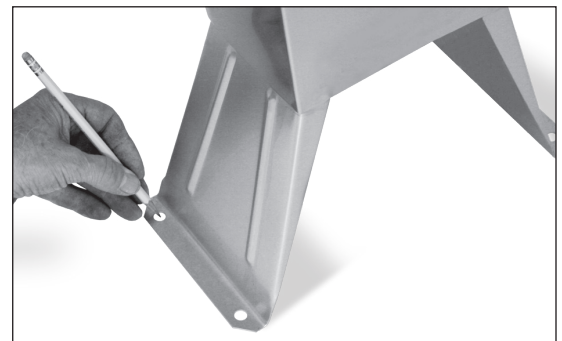


Illustration B

Step 3

1. Install strainer assembly using plumbers putty to seal the strainer to sink.
2. Install faucet assembly to the sink back-splash.
3. Install hot and cold water lines to the back of the faucet. (not provided)

Step 4

1. Mount pedestal sink to the floor.
2. Connect waste line or drain pipe to strainer assembly. (not provided)
3. Connect hot and cold water supplies lines to the water source. (not provided)

Step 5

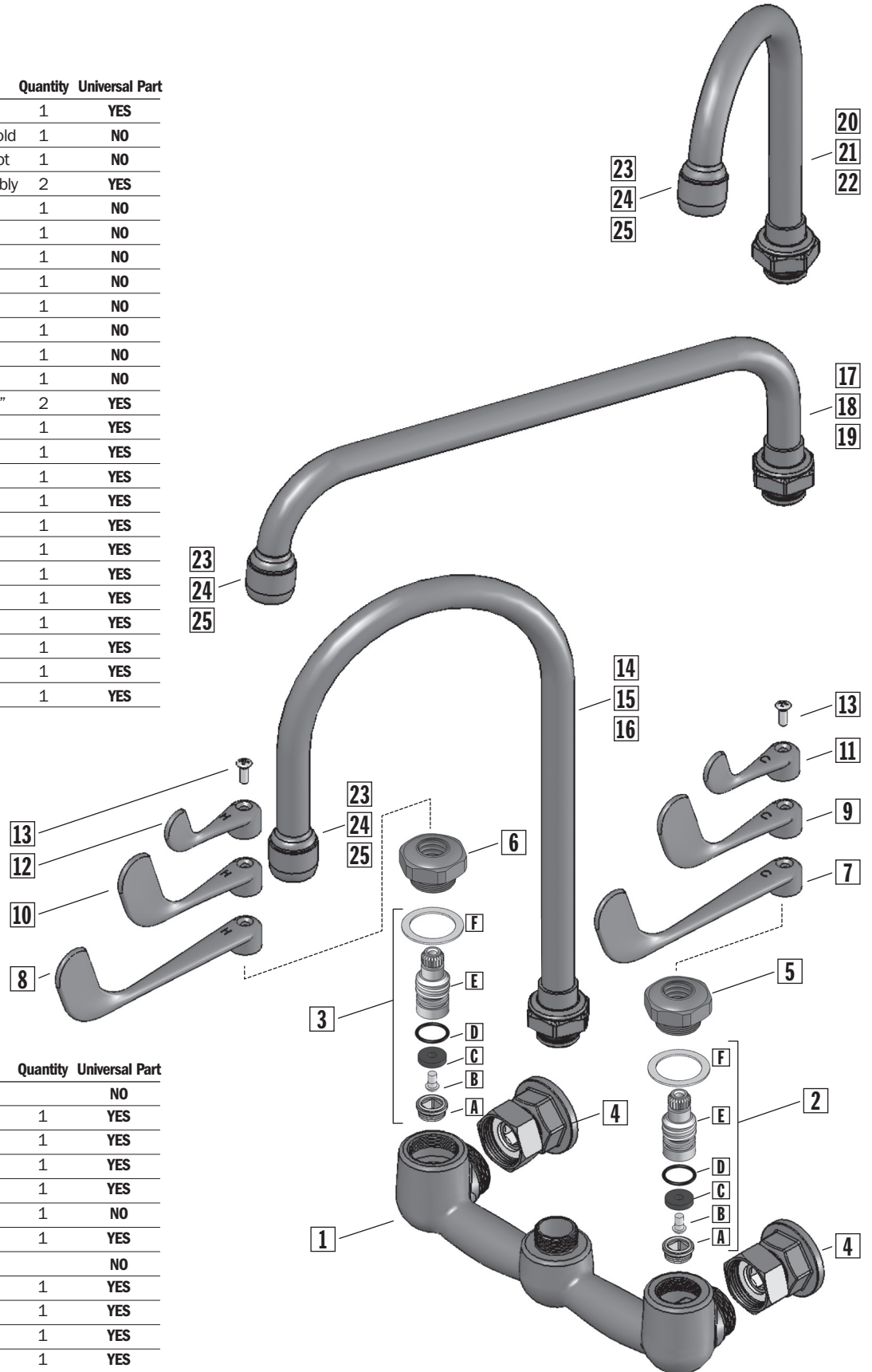
1. Turn water on.
2. Remove aerator from the spout and flush water system.
3. Check connections for leaks.
4. Replace aerator onto the spout.

Trouble Shooting Guide

Problem	Possible Cause	To Diagnose	Remedy
Water drips from the spout or from under the lever.	<ol style="list-style-type: none"> 1. Seat washer is worn 2. Seat is worn 3. O-rings are worn 	Shut cold water source off. See if water still leaks from the spout. If leaks continues repair hot side if not repair cold side.	Recommend installing hot or cold faucet repair kit.

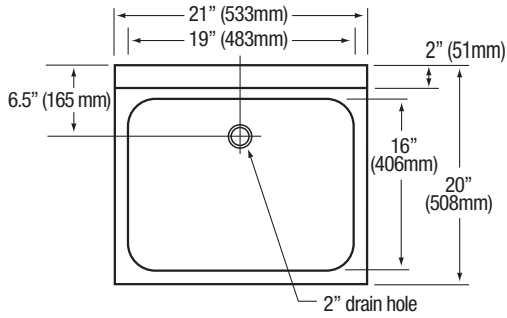
Replacement Parts

Part No.	Description	Quantity	Universal Part
1	2004-1 Faucet Body Assembly	1	YES
2	1062-C Faucet Valve Repair Kit - Cold	1	NO
3	1062-H Faucet Valve Repair Kit - Hot	1	NO
4	2004-2 Female Wall Flange Assembly	2	YES
5	2004-3A Bonnet Nut - Cold	1	NO
6	2004-4A Bonnet Nut - Hot	1	NO
7	2010-1 Handle 6" inch - Cold	1	NO
8	2010-2 Handle 6" inch - Hot	1	NO
9	2011-1 Handle 4" inch - Cold	1	NO
10	2011-2 Handle 4" inch - Hot	1	NO
11	2012-1 Handle 2.5" inch - Cold	1	NO
12	2012-2 Handle 2.5" inch - Hot	1	NO
13	2004-5 10-24 Oval Csk Screw x .5"	2	YES
14	2003-1 Swivel spout 2.0 GPM	1	YES
15	2003-1-1.0 Swivel spout 1.0 GPM	1	YES
16	2003-1-0.5 Swivel spout 0.5 GPM	1	YES
17	1001-1 Swivel spout 2.0 GPM	1	YES
18	1001-1-1.0 Swivel spout 1.0 GPM	1	YES
19	1001-1-0.5 Swivel spout 0.5 GPM	1	YES
20	2002 Swivel spout 2.0 GPM	1	YES
21	2002-1-1.0 Swivel spout 1.0 GPM	1	YES
22	2002-1-0.5 Swivel spout 0.5 GPM	1	YES
23	1002 Aerator 2.0 GPM	1	YES
24	1004 Aerator 1.0 GPM	1	YES
25	1003 Aerator 0.5 GPM	1	YES

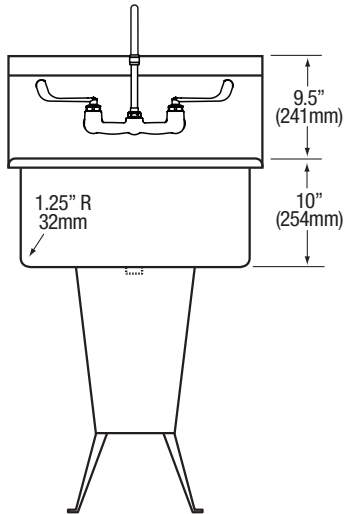


Part No.	Description	Quantity	Universal Part
2	1062-C Faucet Valve Repair Kit - Cold		NO
A	Seat	1	YES
B	Seat Washer Screw	1	YES
C	Seat Washer	1	YES
D	O-ring	1	YES
E	Valve Stem	1	NO
F	Bonnet Nut Washer	1	YES
3	1062-H Faucet Valve Repair Kit - Hot		NO
A	Seat	1	YES
B	Seat Washer Screw	1	YES
C	Seat Washer	1	YES
D	O-ring	1	YES
E	Valve Stem	1	NO
F	Bonnet Nut Washer	1	YES

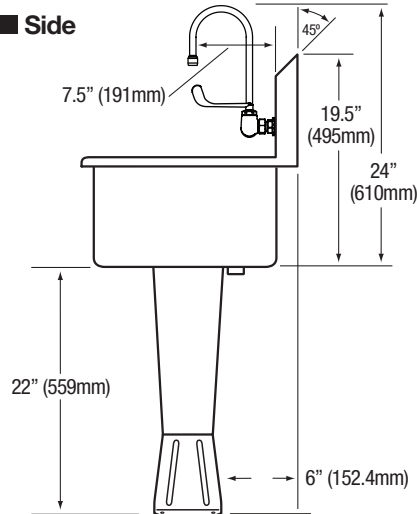
■ Top



■ Front



■ Side



■ Hole Configurations

