

COLUMBIA PRODUCTS

SANI-LAV[®]

Operating Manual for Floor Mounted Scrub Sinks
Models 531FF, 531FF-1.0 and 531FF-0.5



Columbia does not recommend use with harsh chemicals.
NSF/ANSI Standard 2 - Food Equipment and NSF/ANSI 372 low-lead.

Parts List

- (1) Floor mount sink
- (1) Leg assembly set
- (4) Washers and nuts for connection sink to leg assembly set
- (1) 8" on center faucet
- (1) Faucet mounting kit
- (1) Strainer assembly with basket

Tools Required

- Tape Measure
- Adjustable Wrench
- Drill Motor and Drill Bits
- Pipe Wrench
- Level
- Safety Glasses
- Screw Drivers: 1 Phillips & 1 Standard
- Pencil
- Socket Wrench

Installation Instructions

Step 1

1. Attach upper and lower leg support brackets to legs with hardware (provided).
2. Place wash station sink on the leg assembly. Secure legs to bowl with hardware provided.
3. Place wash station sink at the desired location.
4. Mark the floor where the mounting holes are at the base of the legs. See illustration A.
5. Drill holes as required for mounting hardware. Hardware not included.

Step 2

1. Install Faucet to the sink using faucet mounting kit provided. We recommend using pipe thread sealant instead of Teflon tape.
2. Install strainer assembly to the drain hole.
3. Connect hot and cold water supply lines (not included) to the back of faucets.

Step 3

1. Position wash station sinks to pre-drilled holes and secure sink to the floor.
2. Connect waste line or drain pipe to the strainer assembly. Not included.
3. Connect water supply lines (Hot and Cold) to the water source. Not included.
4. Remove aerator from the spout and flush the water system.
5. Replace aerator to the spout.
6. Check for leaks and tighten connections if necessary.

Step 4

1. Seal gap between bowl and leg assembly as shown in illustration B.
2. When mounting against wall, it is recommended sealing the top of the backsplash to wall as shown on illustration C.



Illustration A



Illustration B

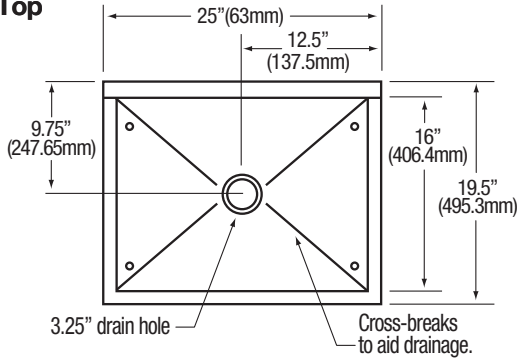


Illustration C

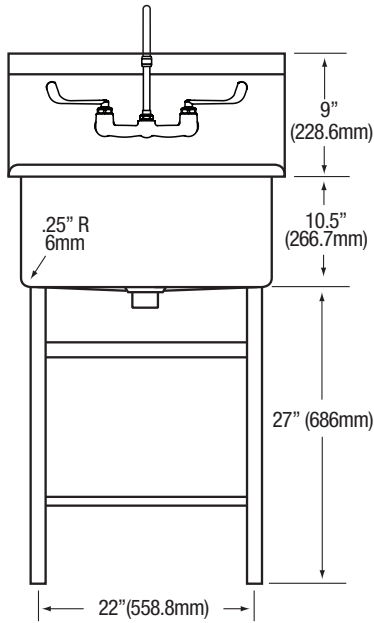
Trouble Shooting Guide

Problem	Possible Cause	To Diagnose	Remedy
Water drips from the spout or from under the lever.	<ol style="list-style-type: none"> 1. Seat washer is worn 2. Seat is worn 3. O-rings are worn 	Shut cold water source off. See if water still leaks from the spout. If leaks continues repair hot side if not repair cold side.	Recommend installing hot or cold faucet repair kit.

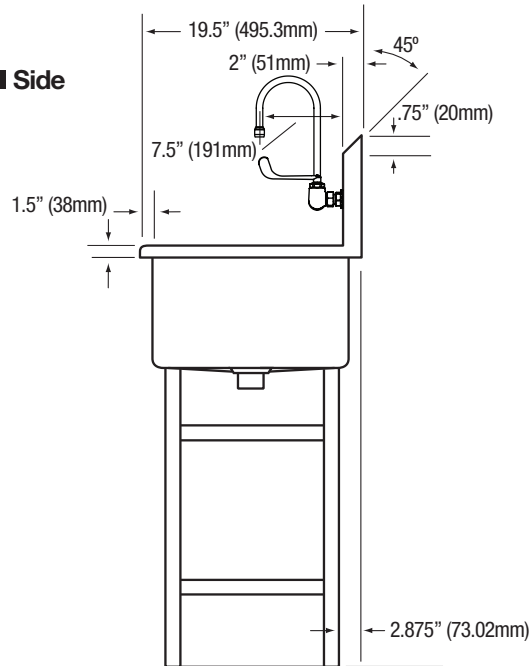
■ Top



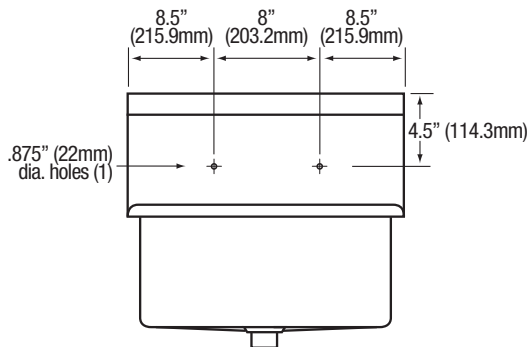
■ Front



■ Side



■ Hole Configurations



■ Leg Specifics

