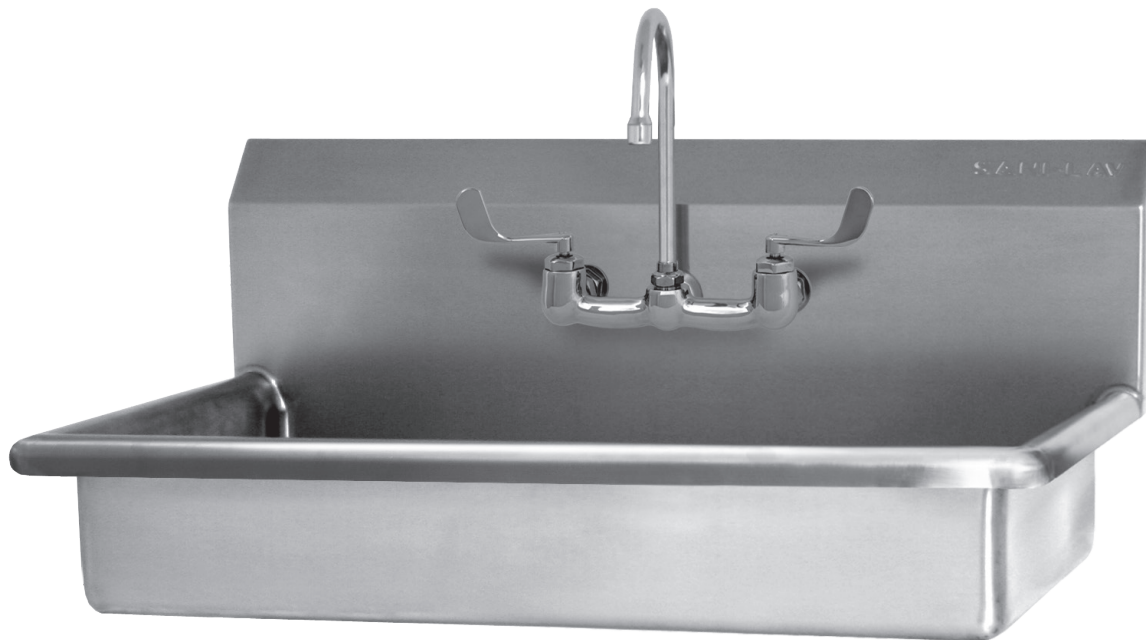


# COLUMBIA PRODUCTS

## SANI-LAV<sup>®</sup>

**Operating Manual for Wall Mounted Sinks**  
**Models 5A1F, 5A1F-1.0 and 5A1F-0.5**



Columbia does not recommend use with harsh chemicals.  
NSF/ANSI Standard 2 - Food Equipment and NSF/ANSI 372 low-lead.

**Parts List**

- (1) Wall mount sink
- (1) 8" on center faucet
- (1) Faucet mounting kit
- (1) Wall-mounting bracket
- (2) Support brackets
- (1) Strainer assembly with basket

**Tools Required**

- Tape Measure
- Adjustable Wrench
- Drill Motor and Drill Bits
- Pipe Wrench
- Level
- Safety Glasses
- Screw Drivers: 1 Phillips & 1 Standard
- Pencil
- Socket Wrench

**Installation Instructions**

**Step 1**

1. Establish sink location on the wall.
2. Measure a recommended 45" from finished floor and draw a level line which will be the top edge of the wall mounting bracket.
3. Hold the wall mounting bracket against the wall and mark the wall where the holes are. Drill holes and secure bracket to the wall as shown in illustration A. Screws are not provided.

**Step 2**

1. Install faucet to the sink using faucet mounting kit provided. We recommend using pipe thread sealant instead of Teflon tape.
2. Install strainer assembly to the drain hole.
3. Connect hot and cold water supply lines (not included) to the back of faucets.

**Step 3**

1. Position sink onto the wall bracket.
2. Mount support bracket to the bottom of the sink. Do not tighten.
3. Slide or push support brackets against the wall and mark holes for fastening. See illustration B.
4. Remove support brackets from the sink and drill holes for fastening.
5. Install fastening hardware to the drilled holes. (not included)
6. Mount support bracket to the bottom of the sink and fasten them to the wall.

**Step 4**

1. Install valves onto the sink.
2. Install elbow fittings to Knee Pedal Valves.
3. Connect hot and cold connecting tubes from the spouts to valves.

**Step 5**

1. Connect waste line or drain pipe to the strainer assembly.
2. Connect hot and cold water supply line to the water source.

**Step 6**

1. Remove aerator from the spout assembly and flush water system. Check connections for leaks. Replace aerator onto the spout assembly.
2. We recommend sealing top of backsplash to wall as shown in illustration C.

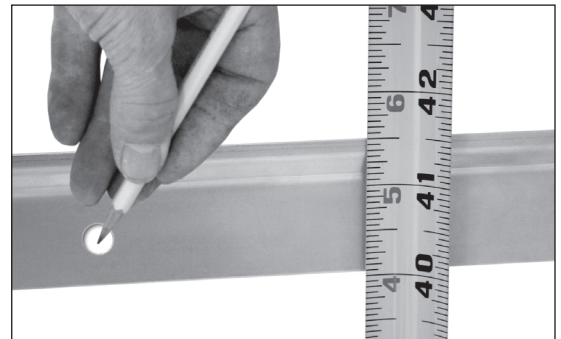


Illustration A



Illustration B



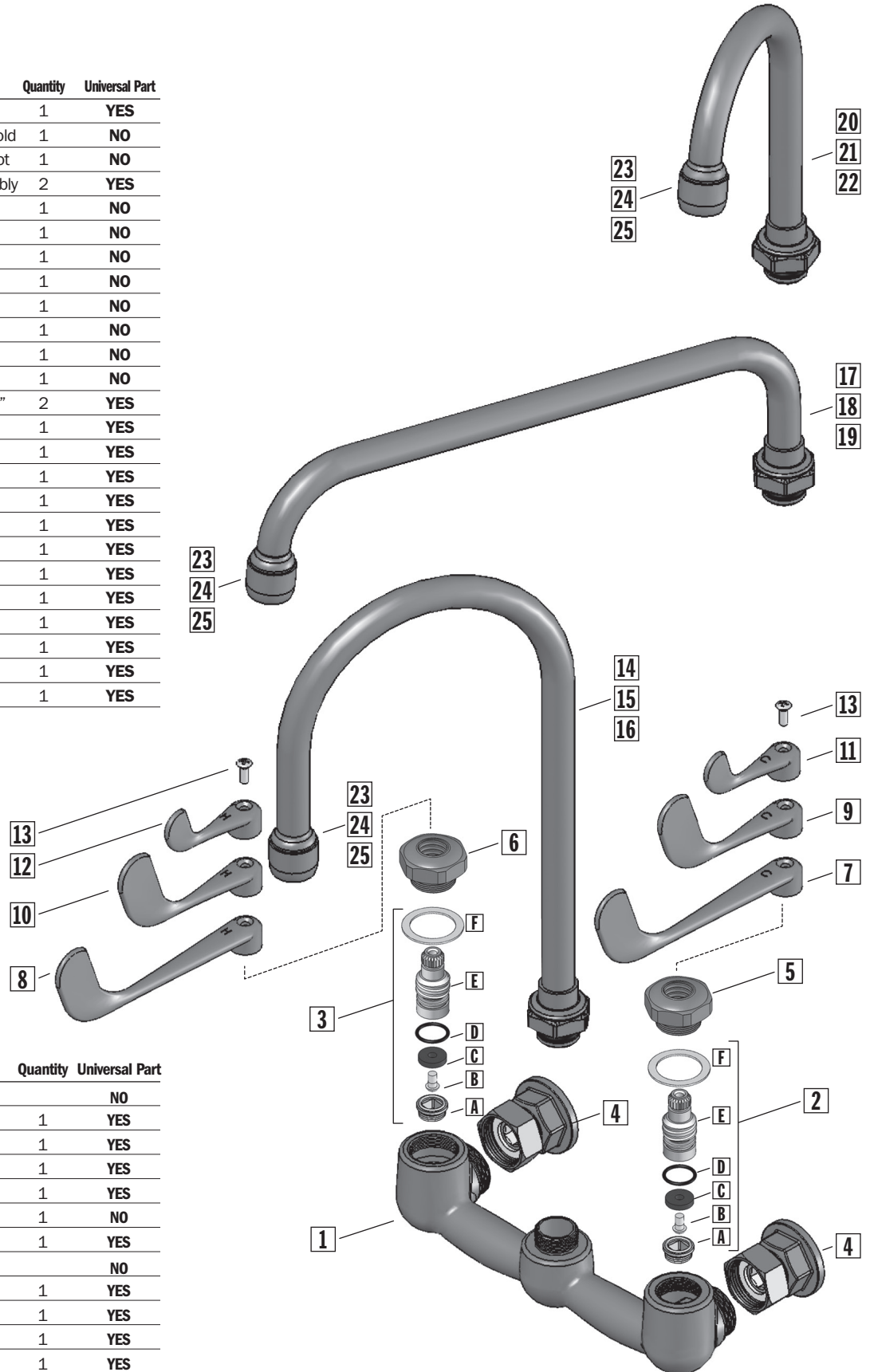
Illustration C

**Trouble Shooting Guide**

Problem	Possible Cause	To Diagnose	Remedy
Water drips from the spout or from under the lever.	<ol style="list-style-type: none"> <li>1. Seat washer is worn</li> <li>2. Seat is worn</li> <li>3. O-rings are worn</li> </ol>	Shut cold water source off. See if water still leaks from the spout. If leaks continues repair hot side if not repair cold side.	Recommend installing hot or cold faucet repair kit.

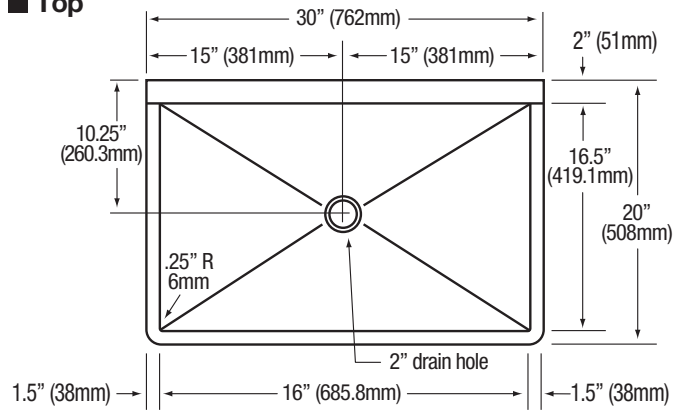
**Replacement Parts**

Part No.	Description	Quantity	Universal Part
1	2004-1 Faucet Body Assembly	1	YES
2	1062-C Faucet Valve Repair Kit - Cold	1	NO
3	1062-H Faucet Valve Repair Kit - Hot	1	NO
4	2004-2 Female Wall Flange Assembly	2	YES
5	2004-3A Bonnet Nut - Cold	1	NO
6	2004-4A Bonnet Nut - Hot	1	NO
7	2010-1 Handle 6" inch - Cold	1	NO
8	2010-2 Handle 6" inch - Hot	1	NO
9	2011-1 Handle 4" inch - Cold	1	NO
10	2011-2 Handle 4" inch - Hot	1	NO
11	2012-1 Handle 2.5" inch - Cold	1	NO
12	2012-2 Handle 2.5" inch - Hot	1	NO
13	2004-5 10-24 Oval Csk Screw x .5"	2	YES
14	2003-1 Swivel spout 2.0 GPM	1	YES
15	2003-1-1.0 Swivel spout 1.0 GPM	1	YES
16	2003-1-0.5 Swivel spout 0.5 GPM	1	YES
17	1001-1 Swivel spout 2.0 GPM	1	YES
18	1001-1-1.0 Swivel spout 1.0 GPM	1	YES
19	1001-1-0.5 Swivel spout 0.5 GPM	1	YES
20	2002 Swivel spout 2.0 GPM	1	YES
21	2002-1-1.0 Swivel spout 1.0 GPM	1	YES
22	2002-1-0.5 Swivel spout 0.5 GPM	1	YES
23	1002 Aerator 2.0 GPM	1	YES
24	1004 Aerator 1.0 GPM	1	YES
25	1003 Aerator 0.5 GPM	1	YES

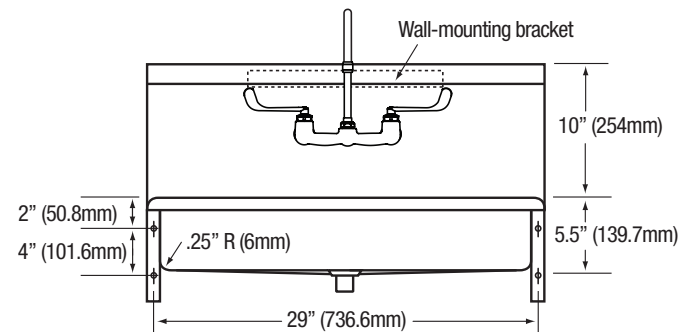


Part No.	Description	Quantity	Universal Part
2	1062-C Faucet Valve Repair Kit - Cold		NO
A	Seat	1	YES
B	Seat Washer Screw	1	YES
C	Seat Washer	1	YES
D	O-ring	1	YES
E	Valve Stem	1	NO
F	Bonnet Nut Washer	1	YES
3	1062-H Faucet Valve Repair Kit - Hot		NO
A	Seat	1	YES
B	Seat Washer Screw	1	YES
C	Seat Washer	1	YES
D	O-ring	1	YES
E	Valve Stem	1	NO
F	Bonnet Nut Washer	1	YES

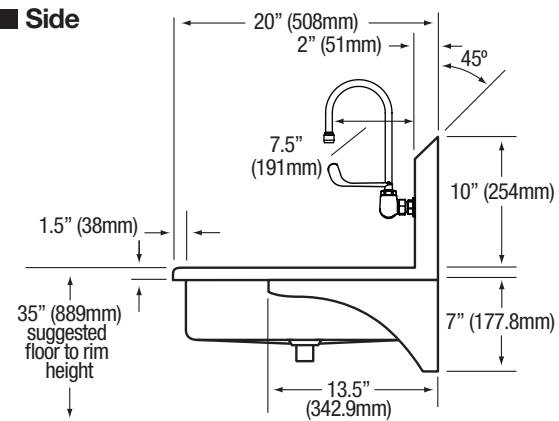
■ Top



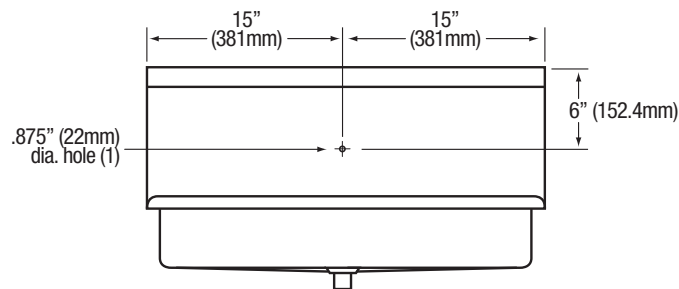
■ Front



■ Side



■ Hole Configurations



■ Wall Mounting Detail

