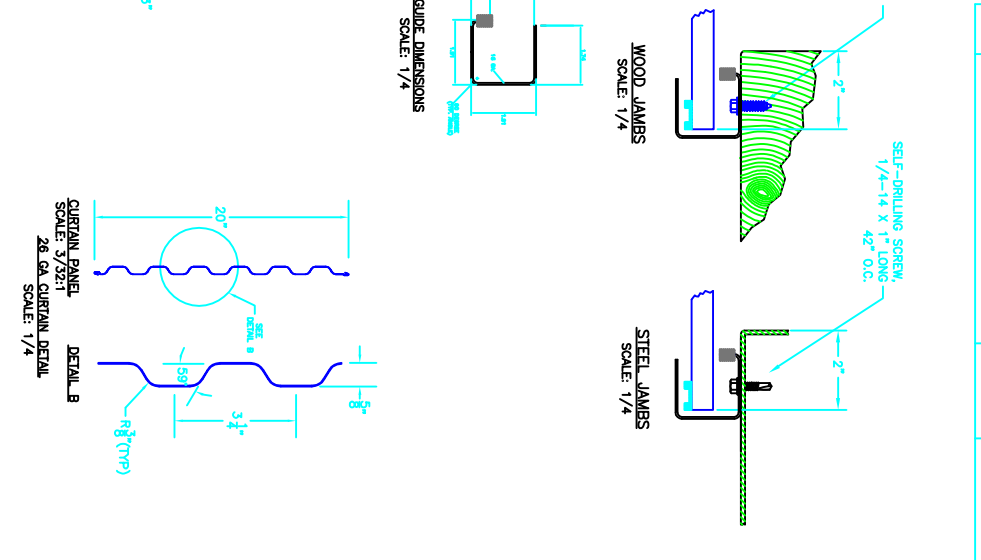
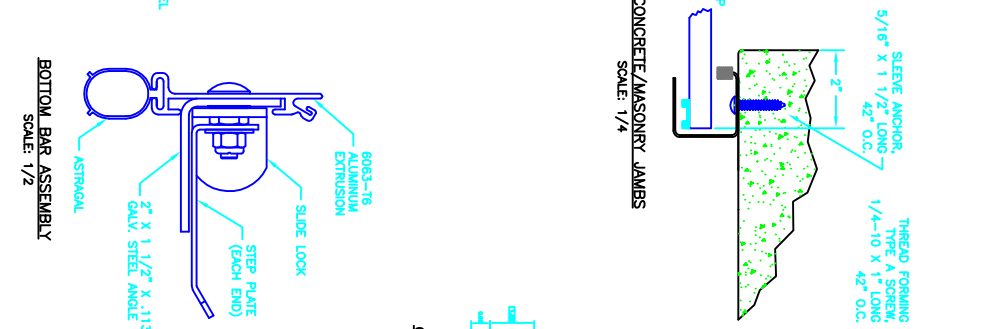
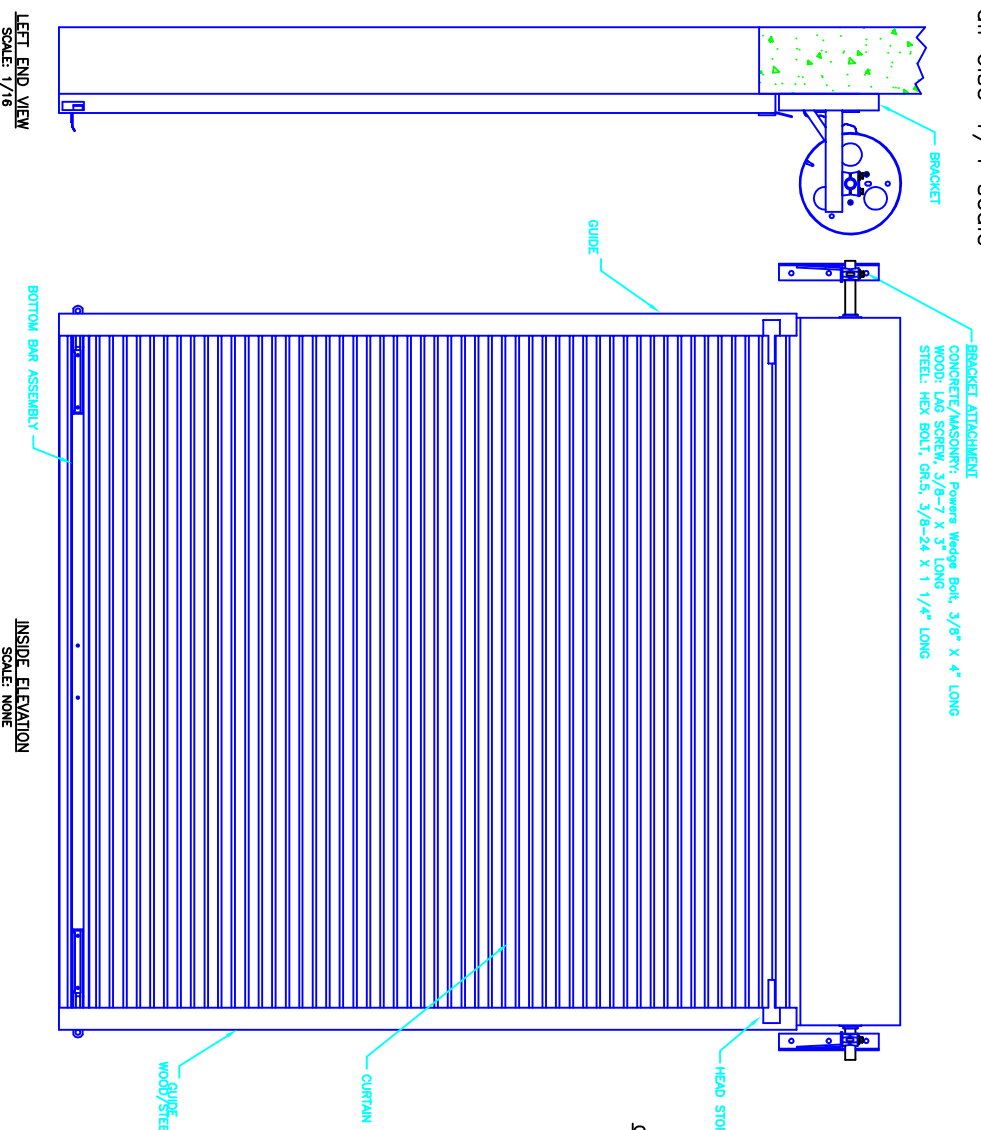


bottom bar assy 1:2
 door 1:16 scale
 curtain 3/32 scale
 all else 1/4 scale



REV	DESCRIPTION	DATE	APPROVAL
1	RELEASE PER DRN	7-17-08	

LEFT END VIEW
 SCALE: 1/16

1) OPERATION TYPE MAY BE PUSH-UP, HAND CHAIN OR ELECTRIC.
 2) DOORS SHALL BE PROVIDED WITH SLIDE LOCKS AT EACH END OF BOTTOM BAR. ENGAGING GUIDES IN THE LOCKED POSITION.

INSIDE ELEVATION
 SCALE: NONE

WOOD/STEEL
 CURTAIN
 HEAD STOP
 WOOD/STEEL
 BOTTOM BAR ASSEMBLY

PART NUMBER	N/A
MATERIAL	N/A
APPLIED FINISH	N/A
UNIT OF MEASUREMENT	N/A
DESIGNER	Broy Allen
CHECKED	
APPROVED	

DATE	7/17/08
APPROVALS	
SIZE	DRAWING NUMBER
SCALE	N/A
SHEET	1 OF 1

THESE CONVENTIONAL DOCUMENTS, SUBMITTED BY DBCI, CONTAIN INFORMATION OF A PROPRIETARY NATURE AND ARE NOT BE LOANED, REPRODUCED, COPIED, REPRODUCED, OR TRANSMITTED IN ANY MANNER FOR ANY PURPOSE OTHER THAN THAT WHICH IS NECESSARY FOR PREPARATION OF BIDS OR ENGINEERING WITHOUT THE EXPRESS PERMISSION OF DBCI WHICH MAY BE OBTAINED AT ANY TIME.

UNLESS OTHERWISE SPECIFIED DIMENSIONS ARE IN INCHES

TOLERANCES ARE:	FRACTIONS	ANGLES	HOLE DIAMETERS
DECIMAL	± 1/16	± 0°30'	UNDER .251 +.004
XXX ±.005			UNDER .500 +.006
			OVER .500 -.003

DOORS & BUILDING COMPONENTS
 DUNWOODY, GA CHANDLER, AZ HOUSTON, TX
 ©2001 DBCI ALL RIGHTS RESERVED

COMMERCIAL DOOR, w/VACE Guide
 2000 SERIES