



INNOVATIVE PRODUCTS FOR THE LOADING DOCK INDUSTRY



PROUDLY
MANUFACTURED
IN THE USA

AeroTec™

ARS
PATENTED

More Than Just a Truck Fan – It's an Air Replacement System

Cools Trailer Better, Faster

- **AeroTec™ creates a high-velocity column of air that circulates through the entire length of the trailer.** Whether your application is cooling/warming the loading dock trailer or removing stale air from an export crate, AeroTec *really moves air*.
- **AeroTec continually pulls new air in and pushes old air out,** unlike ordinary truck fans that only pressurize the air in the trailer, which does not allow for adequate air exchange.

Reduces Maintenance Costs

- **Aerotec takes up to 75% less space, making it less prone to accidental collisions** than ordinary truck fans that have their entire fan assembly positioned in the door opening.
- **AeroTec's breakaway elbow design eliminates costly fan replacement.** Unlike other truck fans that are mounted on a stiff arm support, AeroTec's elbow can be reattached in a snap if accidentally hit and knocked off, reducing costly repair or replacement.

Safer and Quieter to Operate

- **Aerotec's mechanical components are mounted beyond the heavy traffic area** of the door opening making it safer and quieter to operate, thus reducing noise levels and ensuring that moving parts are out of harms way.

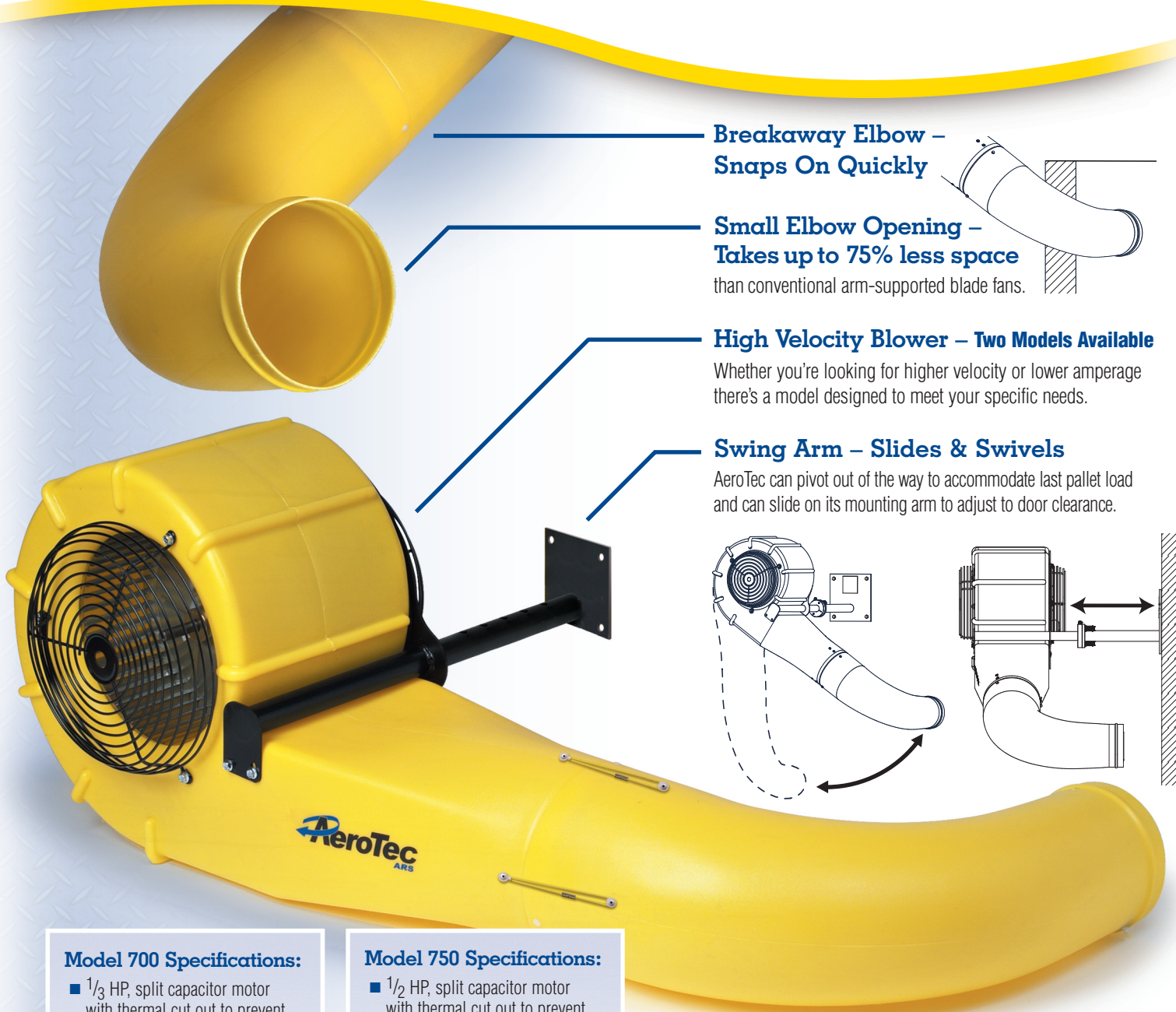


NEW!
SUPER
AeroTec
ARS
with
50% Higher Velocity
50% More Volume

Compared to ordinary truck fans AeroTec™ creates a high-velocity column of air that circulates in and out of the trailer faster, creating a more comfortable work environment.



INNOVATIVE PRODUCTS FOR THE LOADING DOCK INDUSTRY



Breakaway Elbow – Snaps On Quickly



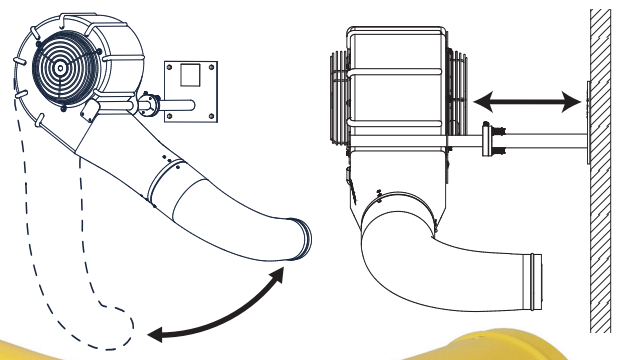
Small Elbow Opening – Takes up to 75% less space than conventional arm-supported blade fans.

High Velocity Blower – Two Models Available

Whether you're looking for higher velocity or lower amperage there's a model designed to meet your specific needs.

Swing Arm – Slides & Swivels

AeroTec can pivot out of the way to accommodate last pallet load and can slide on its mounting arm to adjust to door clearance.



Model 700 Specifications:

- 1/3 HP, split capacitor motor with thermal cut out to prevent overheating
- 115V/4.5 AMPS
- Includes 8' power cord
- UL Approved

Model 750 Specifications:

- 1/2 HP, split capacitor motor with thermal cut out to prevent overheating
- 115V/8.8 AMPS
- Includes 8' power cord
- UL Approved

AeroTec Performance Chart

	FLOW CFM	VELOCITY FT/MN	FAN SPEED RPM	HORSE POWER	CURRENT AMPS
STANDARD Model 700	850	4100	1050	1/3	4.8
SUPER AeroTec Model 750	1200	6100	1500	1/2	8.8



A Product of



340 Gateway Park Drive
North Syracuse, NY 13212
Phone: 315-463-7348
Fax: 315-463-8559
www.dlmanufacturing.com



092713

TOLL FREE 866-235-7468

Visit www.dlmanufacturing.com to view our complete line of loading dock products.