

# LapTop Locker™

## (Installation Template & Instructions)

ANY QUESTIONS CALL CUSTOMER SERVICE:

1-800-828-8018

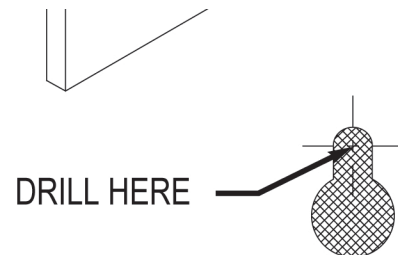
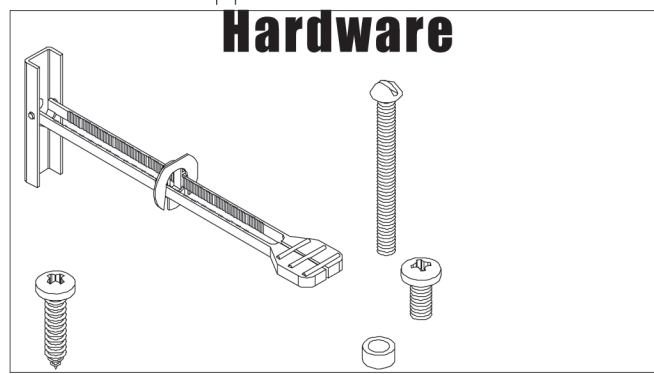
Mon-Fri 8am-5pm EST

**CAUTION:**  
IF LAPTOP LOCKER IS MOUNTED  
HORIZONTALLY, SUPPORT DOOR  
WHILE OPENING.

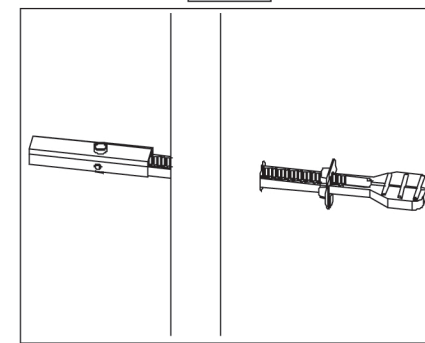
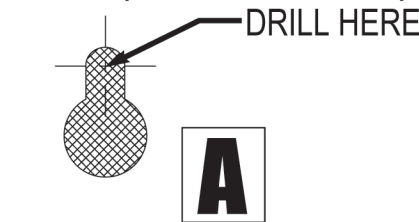
### Tools Needed:

- Drill with 1/2" & 1/8" bits
- Flat head screwdriver
- Phillips screwdriver

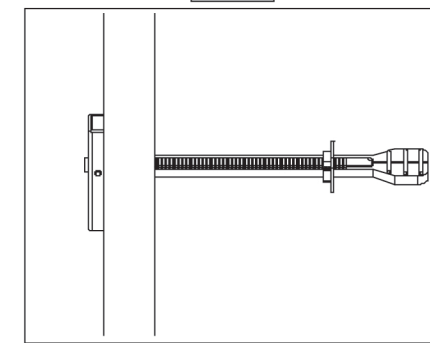
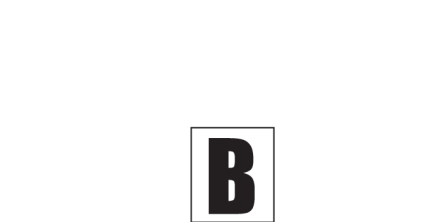
### Hardware



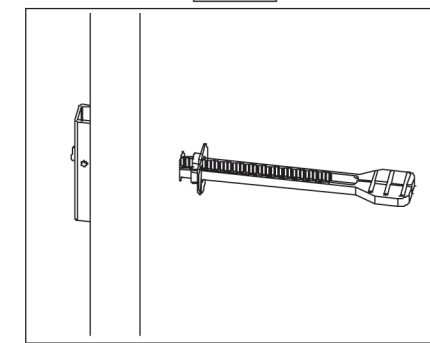
TOP OF UNIT (WITH LOCK)



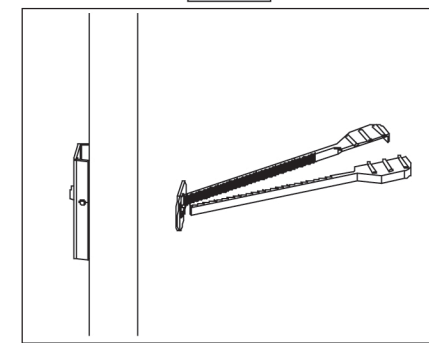
Push KapToggle™ through drilled hole and grasp strap end.



Pull KapToggle™ snugly against inside wall.



Slide washer evenly along straps until inner rim of washer seats completely inside drilled hole.



Snap off plastic straps flush with washer.

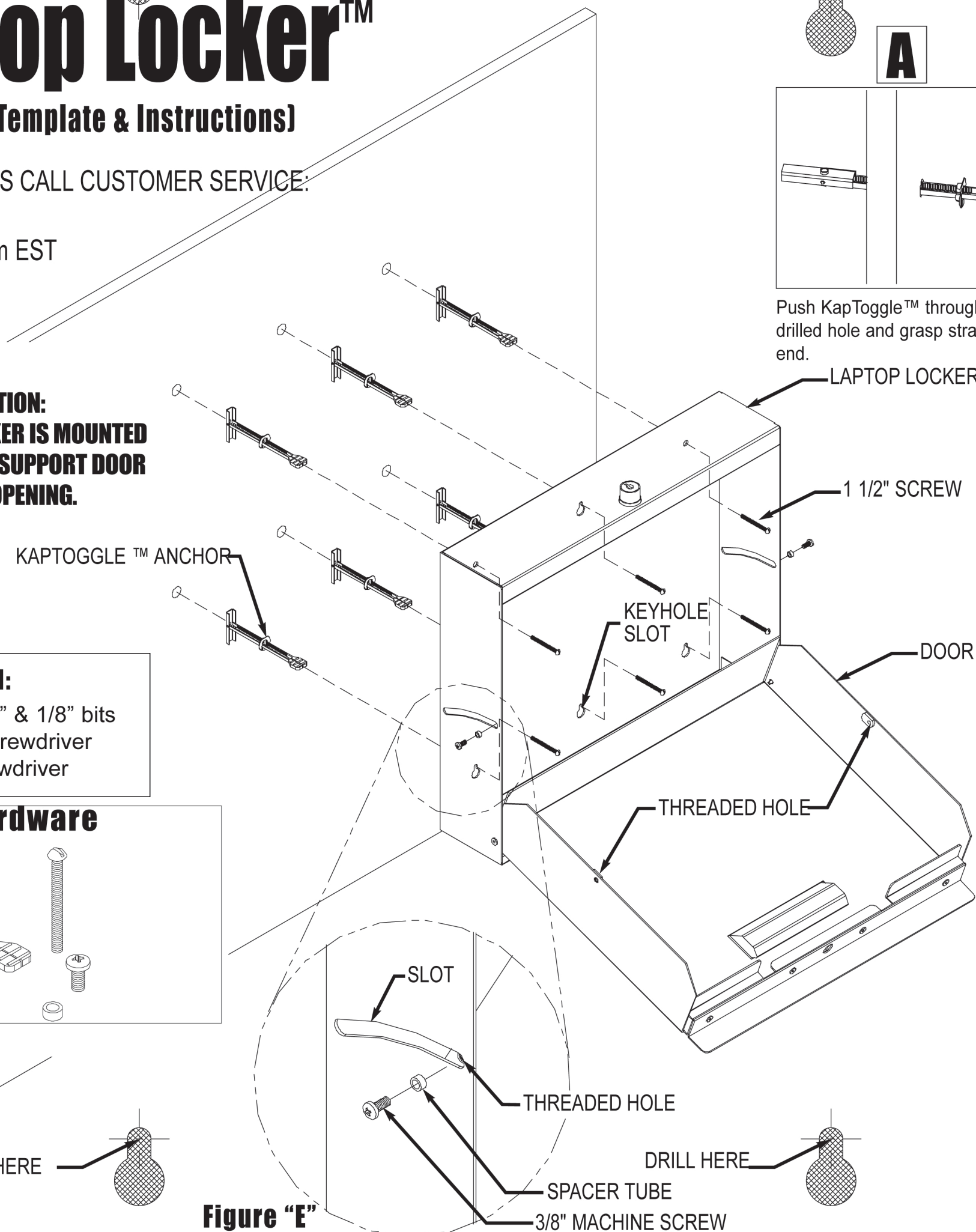
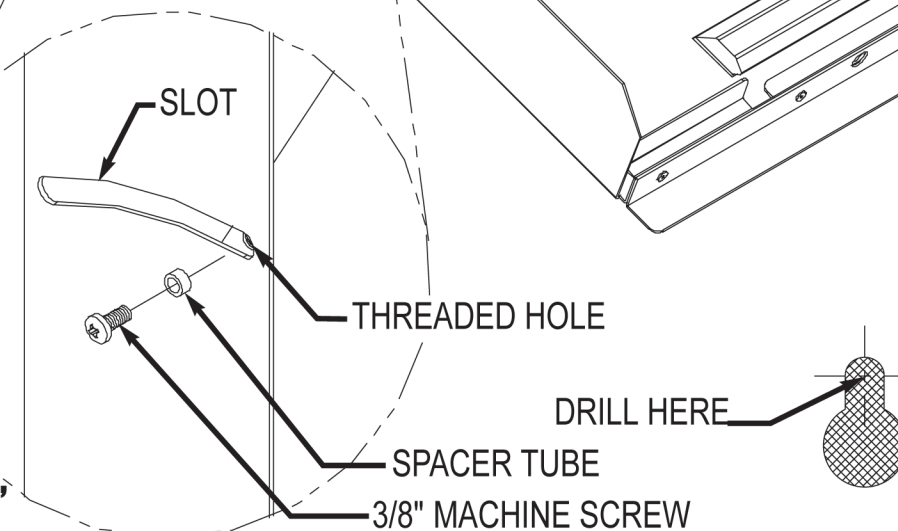


Figure "E"



1. Choose place to mount LapTop Locker™. Hardware for mounting to wood, metal and drywall are included. Hardware for mounting on other surfaces can be obtained from a local hardware store.
2. Mark holes on mounting surface using the template on this sheet. You may find it easier to tape this sheet to the mounting surface and drill through the page (Step 4). Make sure you have a minimum of 8" between LapTop Locker™ opening and any obstructions so there is enough room to store and remove your laptop.
3. Remove foam insert from inside of LapTop Locker™.
4. Drill holes in mounting surface.  
When mounting to drywall or plaster wall:  
Use the KapToggle™ anchors supplied in the hardware kit. Drill (6) 1/2" holes in wall where previously marked. Follow steps "A" through "D" above for proper installation of the KapToggle™ anchors. Insert (3) 1 1/2" machine screws into the bottom holes and (1) in the top middle hole (DO NOT TIGHTEN ALL THE WAY). Slide keyhole slots on LapTop Locker™ over the screws. Insert remaining screws. Tighten all screws.  
When mounting to wood or steel:  
Drill (6) 1/8" holes into the surface where previously marked. Insert (3) particle board screws into bottom holes & (1) in the top middle hole (DO NOT TIGHTEN ALL THE WAY). Slide keyhole slots on LapTop Locker™ over the screws. Insert remaining screws. Tighten all screws.  
"Three holes on the bottom of the unit are provided for additional mounting options."
5. Install door stop (Figure "E"). The door stop consists of a 3/8" long machine screw and spacer inserted on either side of the LapTop Locker™. Slide spacer tube over 3/8" long machine screw. Close door until threaded holes in door align with the slot on the LapTop Locker™. Insert screw and spacer tube into slot, and thread into door. Repeat for opposite side. Reinstall foam insert.

