



OPERATING INSTRUCTIONS AND OWNER'S MANUAL

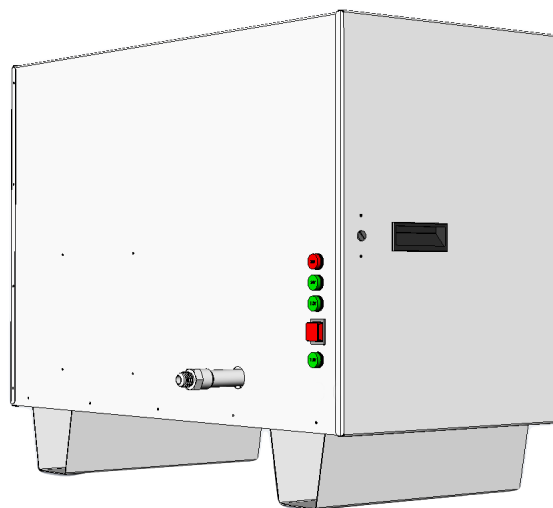
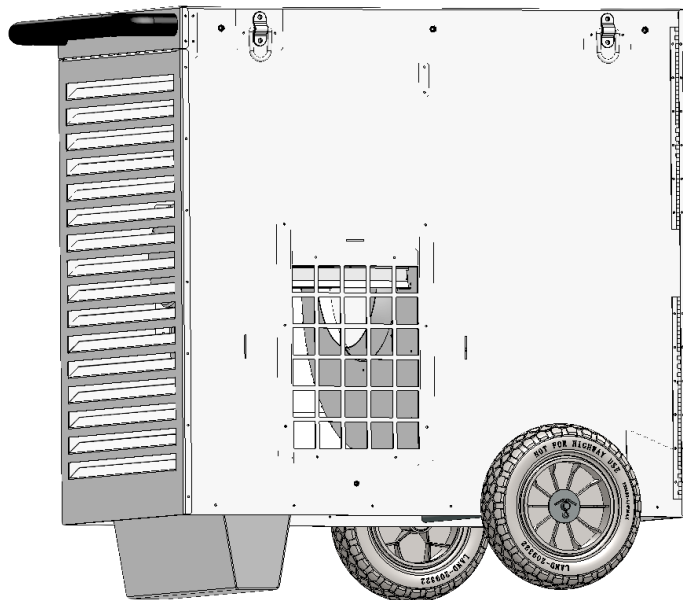
Model #

HS115TC

HS190TC

HS250TC

READ INSTRUCTIONS CAREFULLY: Read and follow all instructions. Place instructions in a safe place for future reference. Do not allow anyone who has not read these instructions to assemble, light, adjust or operate the heater.



FORCED AIR DUAL-FUEL NOMAD HEATER

LANGUAGES INCLUDED

- ENGLISH
- FRENCH
- SPANISH

WARNING: If the information in this manual is not followed exactly, a fire or explosion may result, causing property damage, personal injury or loss of life.

- Do not store or use gasoline or other flammable vapors and liquids in the vicinity of this or any other appliance.
- An LP cylinder not connected for use shall not be stored in the vicinity of this or any other appliance.
- WHAT TO DO IF YOU SMELL GAS
 - Do not try to light appliance.
 - Extinguish any open flame.
 - Shut off gas to appliance.
- Service must be performed by a qualified service agency.

This is an un-vented gas-fired portable heater. It uses air (oxygen) from the area in which it is used. Adequate combustion and ventilation must be provided. Refer to pages 4 & 5.



⚠️WARNING:

YOUR SAFETY IS IMPORTANT TO YOU AND TO OTHERS, SO PLEASE READ THESE INSTRUCTIONS BEFORE YOU OPERATE THIS HEATER.

⚠️GENERAL HAZARD WARNING:

FAILURE TO COMPLY WITH THE PRECAUTIONS AND INSTRUCTIONS PROVIDED WITH THIS HEATER, CAN RESULT IN DEATH, SERIOUS BODILY INJURY AND PROPERTY LOSS OR DAMAGE FROM HAZARDS OF FIRE, EXPLOSION, BURN, ASPHYXIATION, CARBON MONOXIDE POISONING, AND/OR ELECTRICAL SHOCK. ONLY PERSONS WHO CAN UNDERSTAND AND FOLLOW THE INSTRUCTIONS SHOULD USE OR SERVICE THIS HEATER. IF YOU NEED ASSISTANCE OR HEATER INFORMATION SUCH AS AN INSTRUCTIONS MANUAL, LABELS, ETC. CONTACT THE MANUFACTURER.

⚠️WARNING:

NOT FOR HOME OR RECREATIONAL VEHICLE USE

⚠️WARNING:

FIRE, BURN, INHALATION, AND EXPLOSION HAZARD. KEEP SOLID COMBUSTIBLES, SUCH AS BUILDING MATERIALS, PAPER OR CARDBOARD, A SAFE DISTANCE AWAY FROM THE HEATER AS RECOMMENDED BY THE INSTRUCTIONS. NEVER USE THE HEATER IN SPACES WHICH DO OR MAY CONTAIN VOLATILE OR AIRBORNE COMBUSTIBLES, OR PRODUCTS SUCH AS GASOLINE, SOLVENTS, PAINT THINNER, DUST PARTICLES OR UNKNOWN CHEMICALS.



THE STATE OF CALIFORNIA REQUIRES THE FOLLOWING WARNINGS:

WARNING: Combustion by-products produced when using this product contain carbon monoxide, a chemical known to the State of California to cause cancer and birth defects (or other reproductive harm).

WARNING: This product contains chemicals known to the State of California to cause cancer and birth defects or other reproductive harm.

CONTENTS

WARNINGS.....2

SPECIFICATIONS.....3

OPERATING PRECAUTIONS4

SAFETY PRECAUTIONS.....4

ODOR FADE WARNING.....5

ASSEMBLY AND PREPARATION FOR OPERATION.....6

HOSE AND REGULATOR INFORMATION.....6

FUEL AND RATE SELECTION.....7

OPERATION7

USING THE ACCESSORIES8

SHUT DOWN AND STORAGE9

MAINTENANCE.....9

PROPANE TANK SIZE SELECTION.....10

TROUBLESHOOTING11

WIRING DIAGRAM.....12

PARTS LISTS AND EXPLODED VIEWS.....13

WARRANTY INFORMATION20

This NOMAD Forced Air Dual-fuel construction heater was Assembled in the U.S.A. by:

Enerco Group Inc. 4560 West 160th Street
Cleveland, Ohio 44135

For Questions and Inquiries Contact us at:

CALL: 866-447-2194
FAX: 800-321-0552
VISIT: HEATSTARBYENERCO.COM.

Office hours are:
Monday - Friday 8:00am - 5:00pm



SPECIFICATIONS

MODEL# (Stock#)	HS115TC (F109100)	HS190TC (F109110)	HS250TC (F109120)
PROPANE BTU/kW INPUT			
HIGH LP (kW)	110,833 BTU/HR (32kW)	190,200 BTU/HR (56kW)	248,625 BTU/HR (73kW)
LOW LP (kW)	80,612 BTU/HR (24kW)	127,100 BTU/HR (37kW)	181,119 BTU/HR (53kW)
HIGH NG (kW)	107,586 BTU/HR (32kW)	183,600 BTU/HR (54kW)	248,625 BTU/HR (73kW)
LOW NG(kW)	77,124 BTU/HR (23kW)	128,700 BTU/HR (38kW)	172,252 BTU/HR (50kW)
OPERATINGS GAS PRESSURES (W.C./kPa)			
MAX IN-LP	TANK PRESSURE	TANK PRESSURE	TANK PRESSURE
MAX IN-NG (Kpa)	14" W.C. (3.49 Kpa)	14" W.C. (3.49 Kpa)	14" W.C. (3.49 Kpa)
MIN IN-LP (Kpa)	15 PSI (103.4 Kpa)	15 PSI (103.4 Kpa)	15 PSI (103.4Kpa)
MIN IN-NG (Kpa)	7" W.C. (1.74 Kpa)	7" W.C. (1.74 Kpa)	7" W.C. (1.74 Kpa)
MANIFOLD PRESSURE	4" W.C. (.99 Kpa)	4" W.C. (.99 Kpa)	4" W.C. (.99 Kpa)
FUEL CONSUMPTION PER HOUR			
LP-HIGH LBS (Kg)	5.326 LBS/HR (2.41 Kg)	8.8 LBS/HR (3.99Kg)	12.042 LBS/HR (5.46 Kg)
LP-LOW LBS (Kg)	3.937 LBS/HR (1.78 Kg)	6.253 LBS/HR (2.83 Kg)	8.568 LB/HR (3.88 Kg)
NG-HIGH MCF	.110 MCF	.185 MCF	.240 MCF
NG-LOW MCF	.08 MCF	.130 MCF	.175 MCF
ELECTRICAL SPECIFICATIONS			
ELEC. SUPPLY (VOLTS/Hz/PHASE)	115V-60HZ- 1Ø	115V-60HZ-1Ø	115V-60HZ-1Ø
CONTINUOUS AMPS	3.5 AMPS	5.5 AMPS	8 AMPS
MOTOR H.P.	1/3HP	1/2HP	3/4HP
MOTOR WATTS	220 W	500 W	800 W
MOTOR R.P.M.	1100	1100	1035
HEATER DIMENSIONS/WEIGHTS			
HEATER WEIGHT	91 LBS (40.3KG)	159 LBS (72 KG)	165 LBS (75 KG)
HEATER DIMENSIONS (LxWxH)	30" x 23.75" x 15"	35.75" x 34.75" x 20.25"	35.75" x 34.75" x 20.25"
CARTON WEIGHT (LBS/K.G.)	102 LBS (46.3KG)	176 LBS (79.8 KG)	182 LBS (83 KG)
CARTON DIMENSIONS (LxWxH)	34.5" x 25.75" x 20"	39" x 36.75" x 24.25"	39" x 36.75" x 24.25"

CLEARANCE TO COMBUSTIBLES

	TOP	SIDES	BACK	OUTLET
HS115TC	1'	1'	1'	6'
HS190TC	1'	1'	1'	6'
HS250TC	1'	1'	1'	6'

OPERATING PRECAUTIONS

This is a propane or natural gas, direct-fired, forced air heater. It's intended use is primarily temporary heating of buildings under construction, alteration or repair.

Propane is heavier than air. If the fuel leaks from a connection or fitting, it sinks to the floor, collecting there with the surrounding air, forming a potentially explosive mixture. Obviously, fuel leaks should be avoided, so set up the fuel supply with utmost care. Read the Odor Fade and Propane warnings included in this manual for additional information about detecting gas leaks. Leak check new connections or re-connections with a soap and water solution and follow all connection instructions herein. Also, ask your propane dealer or natural gas supply company for advice on the heater application and supply installation and ask him to check it if there are any questions.

This heater was designed and certified for use as a construction heater in accordance with ANSI Standard Z83.7/CSA 2.14. Check with your local fire safety authority if you have any questions about your applications. Other standards govern the use of fuel gases and heat producing products in specific applications. Your local authority can advise you about these.

Direct-Fired means that all of the combustion products enter the heated space. Even though this heater operates very close to 100 percent combustion efficiency, it still produces small amounts of carbon monoxide. Carbon monoxide (called CO) is toxic. We can tolerate small amounts but not a lot. CO can build up in a heated space and failure to provide adequate ventilation could result in death. The symptoms of inadequate ventilation are:

- headache
- dizziness
- burning eyes and nose
- nausea
- dry mouth or sore throat

So, be sure to follow advice about ventilation in these operating instructions.

Forced Air means that a blower or fan pushes the air through the heater. Proper combustion depends upon this air flow; therefore, the heater must not be revised, modified or operated with parts removed or missing. Likewise, safety systems must not be circumvented or modified in order to operate the heater.

When the heater is to be operated in the presence of other people the user is responsible for properly acquainting those present with the safety precautions and instructions, and of the hazards involved.

SAFETY PRECAUTIONS

1. Check the heater thoroughly for damage. DO NOT operate a damaged heater.
2. **DO NOT** modify the heater or operate a heater which has been modified from its original condition.
3. Use only fuel types for which the heater has been certified.
4. If using propane use only VAPOR WITHDRAWAL type propane supply. If there is any question about vapor withdrawal, ask your propane dealer.
5. Mount the propane cylinders vertically (shutoff valve up). Secure them from falling or being knocked over and protect them from damage.
6. Locate propane containers at least (USA) 7 ft. (2.13m), (Canada) 10 ft. (3m) from the heater and **do not** direct exhaust toward containers.
7. **IMPORTANT** Use only the hose and regulator assembly provided with the heater. Inspect hose assembly before each use of the heater. If there is excessive abrasion or wear, or hose is cut, replace with hose assembly listed on parts list in this manual before using heater.
8. For indoor or outdoor use where adequate ventilation has been provided. Minimum openings of 1/2 sq. ft. (.046 m) near the floor and 1/2 sq. ft. (.046 m) near the ceiling (also see "Operating Precautions").
9. If at any time gas odor is detected, IMMEDIATELY DISCONTINUE operation until the source of gas has been located and corrected. Read enclosed Odor fade and Propane information for additional information about detecting propane or natural gas leaks.
10. While this heater is designed to withstand a reasonable amount of harsh weather. It is best to install the heater such that it is not directly exposed to water spray, rain and/or dripping water.
11. Maintain minimum clearance from normal combustible material like paper, canvas, plastic tarpaulins or similar coverings and secure them to prevent flapping or movement due to wind action.
12. Due to the high surface and exhaust temperatures, adults and children must observe clearances to avoid burns or clothing ignition.
13. Operate only on a stable, level surface.
14. For use with only approved duct lengths and materials.
15. Use only the electrical power specified. The electrical connection and grounding must comply with National Electrical Code - ANSI/NFPA 70 (USA) and CSA C22.1 Canadian Electrical Code, Part 1 (Canada).
16. Use only a properly grounded 3-prong receptacle or extension cord (6 ft (1.83m) in length minimum).
17. Do not move, handle or service while hot or burning.
18. Use only in accordance with local codes or, in the absence of local codes, with the Standard for the Storage and Handling of Liquefied Petroleum Gases ANSI/NFPA 58 and CSA B149.1, Natural Gas and Propane Installation Code.

ODOR FADE WARNING

⚠️ WARNING- ASPHYXIATION HAZARD

Do not use this heater for heating human living quarters.

- Do not use in unventilated areas.
- The flow of combustion and ventilation air must not be obstructed.
- Proper ventilation air must be provided to support the combustion air requirements of the heater being used.
- Refer to the specification section of the heater's manual, heater data-plate, or contact the Factory to determine combustion air ventilation requirements of the heater.
- Lack of proper ventilation air will lead to improper combustion.
- Improper combustion can lead to carbon monoxide poisoning leading to serious injury or death. Symptom of carbon monoxide poisoning can include headaches dizziness and difficulty in breathing.

FUEL GAS ODOR

LP gas and natural gas have man-made odorants added specifically for detection of fuel gas leaks.

If a gas leak occurs you should be able to smell the fuel gas. Since these fuels are heavier than air you should smell for the gas odor low to the floor. ANY GAS ODOR IS YOUR SIGNAL TO GO INTO IMMEDIATE ACTION!

- Do not take any action that could ignite the fuel gas. Do not operate any electrical switches. Do not pull any power supply or extension cords. Do not light matches or any other source of flame. Do not use your telephone.
- Get everyone out of the building and away from the area immediately.
- Close all propane (LP) gas tank or cylinder fuel supply valves, or the main fuel supply valve located at the meter if you use natural gas.
- Propane (LP) gas is heavier than air and may settle in low areas. When you have reason to suspect a propane leak, keep out of all low areas.
- Use your neighbor's phone and call your fuel gas supplier and your fire department. Do not re-enter the building or area.
- Stay out of the building and away from the area until declared safe by the firefighters and your fuel gas supplier.
- FINALLY, let the fuel gas service person and the firefighters check for escaped gas. Have them air out the building and area before you return. Properly trained service people must repair any leaks, check for further leakages, and then relight the appliance for you.

ODOR FADING - NO ODOR DETECTED

- Some people cannot smell well. Some people cannot smell the odor of the man-made chemical added to propane (LP) or natural gas. You must determine if you can smell the odorant in these fuel gases.
- Learn to recognize the odor of propane (LP) gas and natural gas. Local propane (LP) gas dealers will be more than happy to give you a scratch and sniff pamphlet. Use it to become familiar with the fuel gas odor.

- Smoking can decrease your ability to smell. Being around an odor for a period of time can affect your sensitivity to that particular odor. Odors present in animal confinement buildings can mask fuel gas odor.
- **The odorant in propane (LP) gas and natural gas is colorless and the intensity of its odor can fade under some circumstances.**
- If there is an underground leak, the movement of gas through the soil can filter the odorant.
- Propane (LP) gas odor may differ in intensity at different levels. Since Propane (LP) gas is heavier than air, there may be more odor at lower levels.
- **Always be sensitive to the slightest gas odor.** If you continue to detect any gas odor, no matter how small, treat it as a serious leak. Immediately go into action as discussed previously.

ATTENTION- CRITICAL POINTS TO REMEMBER

- Propane (LP) gas has a distinctive odor. Learn to recognize these odors. (Reference Fuel Gas Odor and Odor Fading sections above.)
- Even If you are not properly trained in the service and repair of the heater, ALWAYS be consciously aware of the odors of propane (LP) gas and natural gas.
- If you have not been properly trained in repair and service of propane (LP) gas then do not attempt to light heater, perform service or repairs, or make any adjustments to the heater on the propane (LP) gas fuel system.
- A periodic sniff test around the heater or at the heater's joints; i.e. hose, connections, etc., is a good safety practice under any conditions. If you smell even a small amount of gas, CONTACT YOUR FUEL GAS SUPPLIER IMMEDIATELY. DO NOT WAIT!

UNPACKING (Tools needed: Box cutter)

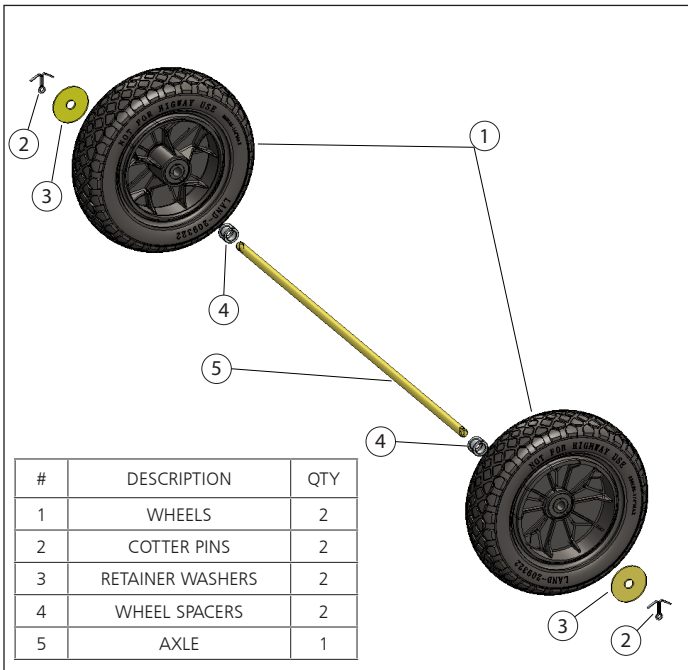
Remove heater and all components from cardboard container. Thoroughly inspect all packing material for pieces that are not garbage. Next check the unit for possible shipping damage. If any is found immediately notify the factory.

Assembly

INSTALLING THE WHEELS & FOOT (Tools needed: Pliers)

Most units will be completely assembled. However if for any reason you do need to assemble these components follow the these instructions. Using the cardboard that your heater was shipped in turn your heater on to one of it sides or its top so that the bottom of the heater is accessible. First, take the axel and insert it into one of the wheels supplied. Then on the outside of the wheel place the large washer over the axle. You can then insert one of the cotter pins into the hole in the end of the axle and bend over one or both of the tails of the pin so that it cannot be removed. Then on the inside of that wheel run one of the spacers over the other end of the axle so that it is pressed against the back of the wheel. Then slide the axle into the holes along the bottom edge of the heater. Then install the other spacer followed by the other wheel and washer. You can then insert and bend the other cotter pin. Finally you can press the rubber hub caps over the end of the axle. It is designed to press over the washer to hold the cap in place once you are sure you have the wheels and axle installed on your heater in the order shown in figure 1.

FIGURE 1



INSTALLING THE HANDLE

Most units will be completely assembled. However if for any reason you do need to assemble these components follow the these instructions. First locate the metal "U" shaped handle that was packed with your heater. (Does not apply to model # **HS115TC**, If this is your model move to hose and regulator setup). Next locate the two handle bolts included in your hardware package. Then, while looking at the outlet side of the heater open the access panel opposite the control panel side by removing the screws that hold it in place around its perimeter. Just

above the top edge of the door opening you should see two holes close to the top edge of the heater. Align the threaded holes in the handle up to the holes in the cover of the heater. Then thread the two supplied bolts through the case into the handle from inside of the case. Using a socket wrench tighten down the bolts. Be sure not to over tighten.

Hose and Regulator setup

SETUP FOR PROPANE

First locate the hose and regulator assembly included with your heater. Inspect the hose for cracks, breaks and any signs of damage. If any damage is found, contact the factory for a replacement. The regulator end is equipped with a standard POL connection designed to fit most vertical vapor draw propane tanks. **Note: This is a reverse "left hand" thread.** Next attach the P.O.L. to an appropriately sized tank for your application. This is a flared fitting and this type of connection does not require any additional sealant or thread tape. Check all connections with a mixture of soap and water for leaks. Mix water and a small amount of dish soap in a spray bottle and apply the solution on all connections, looking for small bubbles to appear. If you see bubbles that is an indication of a leak. Tighten your connection until the bubble are eliminated. For proper tank sizing, refer to the sizing chart in the trouble shooting section of this manual. (page 10)

SETUP FOR NATURAL GAS.

You must first determine if a regulator will be required. When using NG a regulator will only be required when the source of the gas has an output pressure greater than 14" w.c. (3.48 Kpa).

First locate the hose and regulator assembly included with your heater. Inspect the hose for any cracks breaks or signs of damage. If any damage is found, contact the factory for a replacement. The regulator end is equipped with a standard POL connection designed to fit most vertical vapor draw propane tanks. If you are using your unit with Natural Gas and you have determined the regulator will be needed, first the "P.O.L. fitting will have to be removed and replaced with a connector/connectors that will allow for connection to your Natural Gas supply. To remove the P.O.L. fitting, secure the regulator body in a vice being careful not to damage it. Then using a socket wrench remove the P.O.L. stem and nut from the regulator. Then replace the POL with the appropriate pieces to make your connection. Be sure to use an appropriate sealant or thread tape when required. Check all connections with a mixture of soap and water for leaks. Mix water and a small amount of dish soap in a spray bottle and apply the solution on all connections, looking for small bubbles to appear. If you see bubbles that is an indication of a leak. Tighten your connection until the bubble are eliminated.



RATE AND FUEL SELECTION

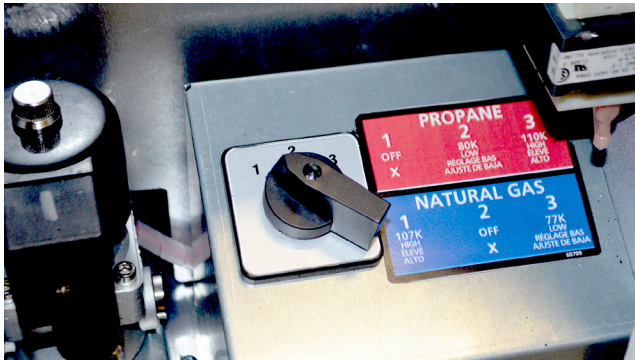
FUEL SELECTION

When setting up your Nomad heater you will need to know which fuel you will be using and move the Rate/Fuel selector switch to the correct settings before use. For LP you will use the Red settings and rate. For NG you will use the Blue settings and rates Refer to figure 5.

RATE SELECTION

Your Nomad heater is equipped with multi-rate and dual fuel technology. During setup of your area to be heated you have the option to use the heater on either the high or low setting. In order to bring the heat in your space up to your desired temperature as quickly as possible set the heater on its high setting (refer to figure 5). Once you have your space heated to the desired temperature, you can then turn your setting to the low position to maintain your desired temperature resulting in dramatic cost savings from the lower fuel consumption during the entire heating project.

FIGURE 5



OPERATION (NO THERMOSTAT)

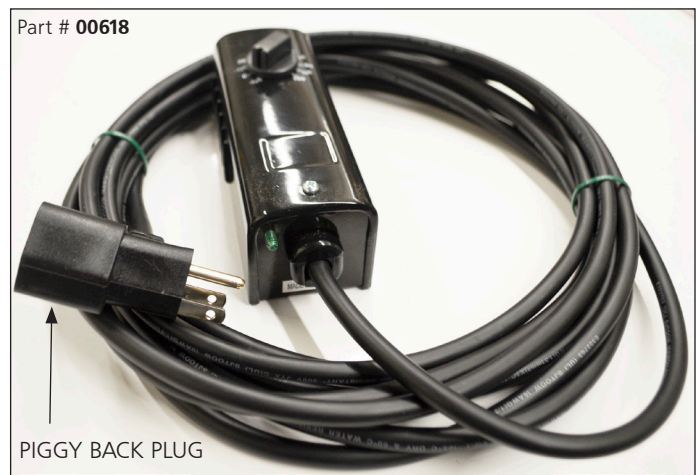
Plug in your unit using an appropriately sized properly grounded three pronged extension cord. Attach the small length of power cord on the heater to your extension cord. Once power is supplied to the heater you should see the green indicator light above the switch light up. Before you turn on your heater you will want to ensure that you make your fuel and rate selection. Refer to the "Rate and fuel selection" section for more information. You can now flip your power switch to the ON position. After a few seconds your heater will light and you should feel hot air begin to emit from the outlet of the heater. With this setup the heater will run continuously until the operator flips the switch to the off position. If you would like your heater to cycle on and off based on the temperature of the space, you will need to use the supplied remote thermostat.

OPERATION (WITH THERMOSTAT)

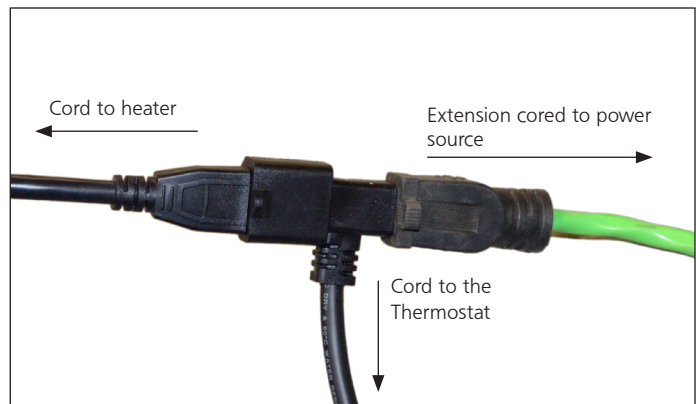
To operate your Nomad heater with a thermostat you will need to place the thermostat in the environment to be heated and turn the dial to the lowest temperature. Take the "Piggy-Back" style plug end that was factory installed on the thermostat and attach it to the small length of power cord attached to the heater (located near the

power switch). The male plug end of the heater will go inside the female receptacle on the thermostat plug end. Next plug in your properly grounded three pronged extension cord into the other side of the thermostat plug. You can now switch on your heater and return to where you have your thermostat located and set the temperature at which you would like your heater to cycle on and off at. Once the temperature in the space to be heated drops below the point at which your thermostat is set, the green indicator light above the switch will illuminate and the heat sequence will begin. The unit will continue to run until the setting of the thermostat is satisfied. If your heater shuts down for any reason other than the operator turns it off or the thermostat is satisfied, refer to the troubleshooting portion of this manual on page 11.

INCLUDED THERMOSTAT



THERMOSTAT HOOKUP



USING NOMAD HEATER ACCESSORIES

The Nomad line of forced air heaters is designed to be used as a stand alone gas fired heating appliance. It is also designed and certified to be used with a collection of useful accessories. For information on any additional accessories that may be available for your model refer to the list of accessories in this booklet or visit www.heatstarbyenerco.com.

USING NOMAD HEATERS WITH DUCT & DIFFUSERS

When using this heater to heat a party tent or construction environment from out side of the space you will need to employ the help of a few different diffuser attachments.

Direct Diffuser & Duct Adapter

A direct diffuser allows the user to duct the heat being produced by the Nomad heater into a space needing heat without having the heater in that space. To do this you will need a duct adapter. The duct adapter attaches to special connection points on the heater that match up to the connectors on the adapter. Align the tabs on the adapter to the holes on

the heater and turn clock wise to lock them in place. Next you will need the flexible duct transition piece. The duct transition is a short piece of special silicone lined ducting that attaches the adapter to the End diffuser. With the duct adapter attached to the heater, place the transition duct piece over the outside of the adapter ring and tighten down the strap. The other end of the Duct is then attached to the diffuser see figure 6. The diffuser is an accessory designed to help direct the air being discharged from the heater. The air comes out of the diffuser and spreads out in multiple directions to better fill the space and heat more evenly. The channel on top of the diffuser is designed to hold the tent material from falling in front of the diffuser. The heater can be used without the diffuser but it is recommended for more effective and efficient use.

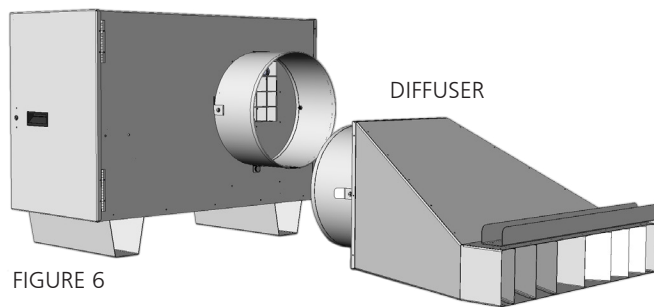


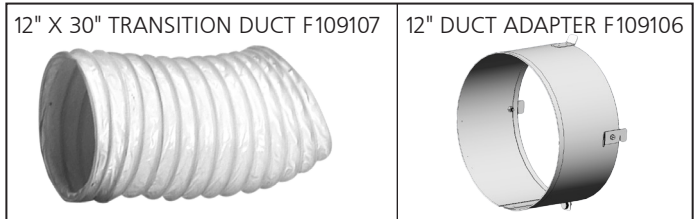
FIGURE 6

Long Duct & Diffuser

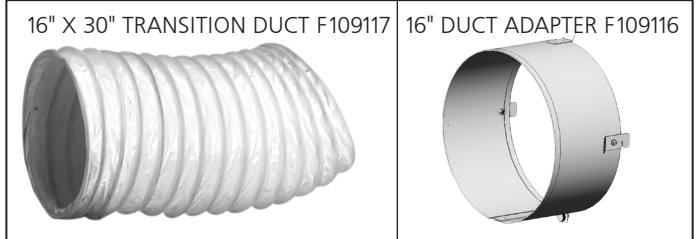
Nomad heaters are also designed to be used with 10' of flexible duct for when distance from the area to be

heated is needed or required. To use this setup you will need the end diffuser and the 10' specially designed ducting. To assemble attach one end of the 10' length of duct to the duct adapter and the other to the end Diffuser. Then place the end diffuser in the space to be heated.

FITS HS115TC



FITS HS190TC & HS250TC



12" X 10' SILICONE LINED FLEXIBLE HEATING DUCT F109108



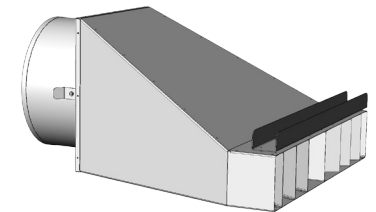
FITS HS115TC

16" X 10' SILICONE LINED FLEXIBLE HEATING DUCT F109118



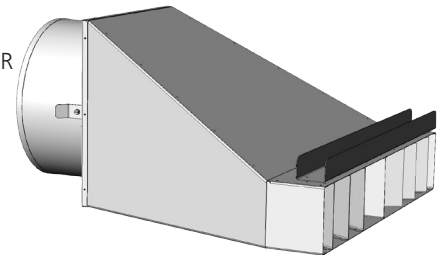
FITS HS190TC & HS250TC

12" UNIVERSAL DIFFUSER F109105



FITS HS115TC

16" UNIVERSAL DIFFUSER F109115



FITS HS190TC & HS250TC

SHUTDOWN , STORAGE & MAINTENANCE

When your Nomad heater is no longer needed there are a few steps you should take to ensure it is ready and in working condition the next time you need it.

SHUTDOWN

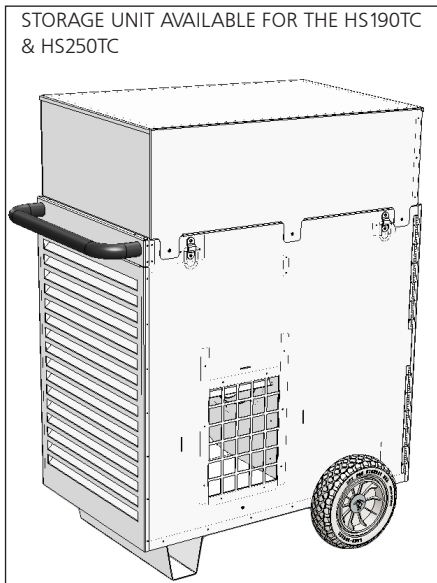
While the heater is running, turn off the gas supply to the heater and allow the fuel left in the system and in the hose and regulator to burn off. This should only take a few seconds. Then at the heater, flip the switch to the middle or **OFF** position. You should allow your heater to completely cool before placing your heater in storage or before you perform any service or maintenance.

Once the unit has cooled verify that the gas has been shut off. Then disconnect the hose and regulator from the fuel source. Next disconnect the hose from the inlet fitting on the heater and neatly wrap up your hose assembly. You

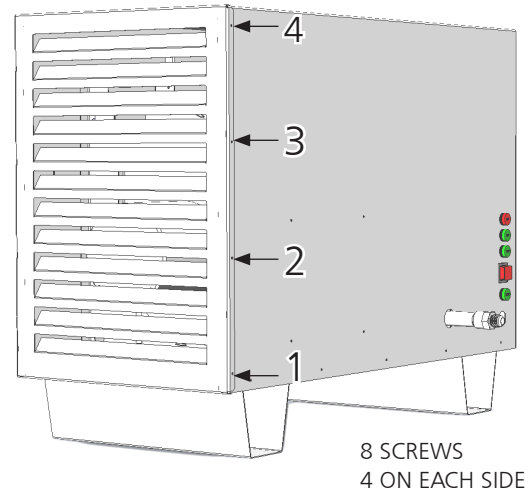
can then place your hose into storage until it is needed again. On the HS190TC and HS250TC Nomad units you can use the optional top mounted storage box to store your heater hose and regulator along with any other accessories or tools needed for setup and tear down. Next unplug the unit and wrap up the thermostat and return it to storage. Your heater can now be stored.

STORAGE & MAINTENANCE

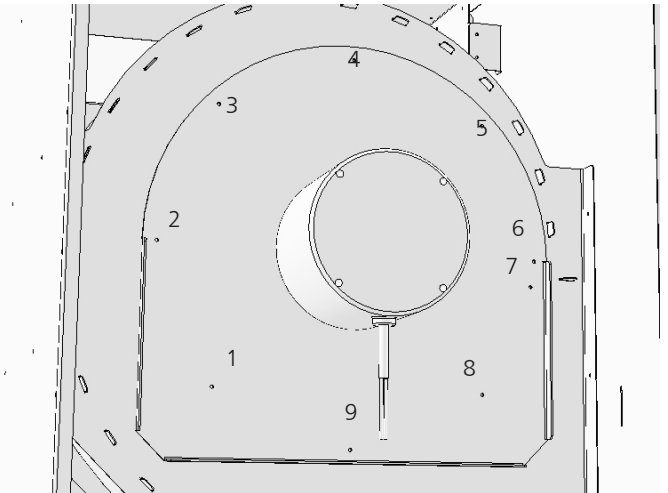
Before and after extended storage or if the heater was used in dusty conditions you should thoroughly clean the heater. With the heater unplugged, use soap, water and a soft cloth to clean off any loose dust or dirt. While your Nomad heater is certified to be used outdoor and can withstand wet weather, water should not be used. This can cause water to be forced into components where it should not be. To clean off the inside, you will need a standard flat head screwdriver to open the access panel. **To clean do not use water**, use compressed air to blow dust and debris from the insides. Once the unit is again clean shut the door and secure the latch with the screwdriver used to open it. You can now store your heater until it is needed again. Be sure to make note of the storage "do's and Don't" listed on this page. At least once a year or the heater has been used in a dusty environment, it is recommended that the blower wheel be thoroughly cleaned. Start by removing the access



panel cover on the blower side of the heater. There are 8 screws on the HS115 and 14 Screws on the larger HS190 and HS250 (4 and 7 on each side respectively) holding the panel in place.



Once you have access to the blower motor mounting plate remove the motor and wheel then use compressed air to blow off the wheel. If a more aggressive cleaning method is required to get the wheel clean you can remove the wheel from the motor by loosening the set screw. Water solvents and cleaners can then be utilized to complete the cleaning. Re install the blower in the reverse it was removed.



DO NOT....

- Do not store the unit outside.
- Do not lose the components shipped with your heater.
- Do not store your heater in an area prone to rodents. They can damage internal wiring and the nesting material is a fire hazard. Always open and inspect your heater for signs of insect and rodents before use especially after long bouts of storage.

SERVICE & REPAIR

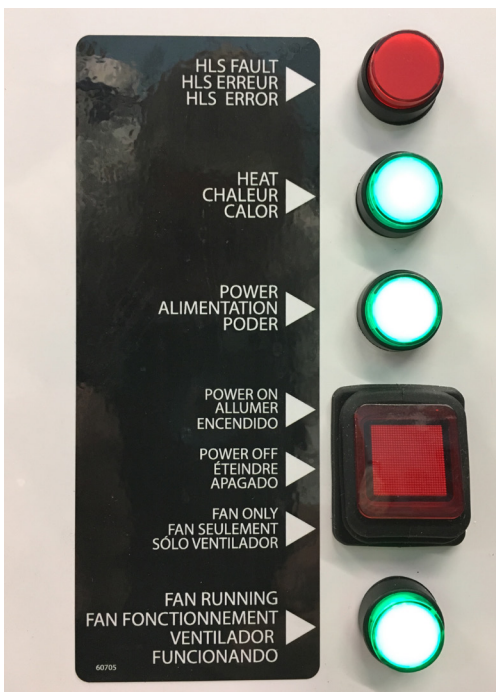
A hazardous condition may result if a heater is used that has been modified or is not functioning properly.

When the heater is working properly:

- The flame is contained within the heater.
- The flame is essentially blue with perhaps some yellow tipping.
- There is no strong disagreeable odor, eye burning or other physical discomfort.
- There is no smoke or soot internal or external to the heater.
- There are no unplanned or unexplained shut downs of the heater.
- The parts lists and wiring diagram show the heater as it was constructed. Do not use a heater which is different from that shown. In this regard, use only the hose, regulator and cylinder connection fitting (called a POL fitting) supplied with the heater.
- (3) of the four lights on the side of the heater should be illuminated (Heat, Power, Fan Running) per Figure 2.

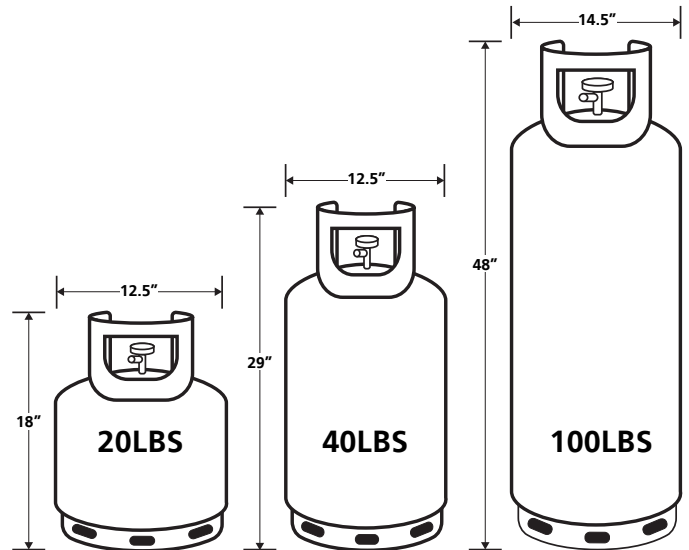
For this heater, the regulator must be set as shown in "SPECIFICATIONS". If there is any uncertainty about the regulator setting, have it checked. A heater which is not working right must be repaired, but only by a trained, experienced service person. The heater is equipped with a 1 year Limited Warranty, for full warranty information please read page 20. Please include a brief statement indicating date, place of purchase, the nature of the problem and proof of purchase for warranty inquiries. Out-of-warranty products can be repaired with a charge for parts and labor. Contact customer service for a list of certified repair centers near you.

Figure 2



PROPANE TANK SIZE SELECTION

Below are a few quick points of reference for when you need to select propane cylinders for your applications. There are two major points to consider. What is the temperature outside? & What are the BTU requirements of the heater I will be using. While 20lb, 40lb and 100lb tanks are the most common tank sizes, there are various other options available. Contact your propane supplier for details.



LBS OF LP IN THE CYLINDER	MAXIMUM CONTINUOUS BTU OUTPUT PER HOUR @ VARIOUS TEMPERATURES		
	0°F (-18°C)	20°F (-7°C)	40°F (4°C)
200 (2 x 100's)	226,000	334,000	428,000
100	113,000	167,000	214,000
80 (2 x 40's)	94,000	137,000	180,000
40	55,000	79,000	105,000
20	36,000	51,000	69,000

EXAMPLE TANK SELECTION

PROPANE TANK SELECTION @ 20 F (-7 C)		
	HIGH SETTING	LOW SETTING
HS115TC	110,833 BTU/HR	80,612 BTU/HR
	2 X 40LB TANKS	1 X 40LB TANK
HS190TC	190,200 BTU/HR	127,100 BTU/HR
	2 X 100LB TANKS	2 X 40LB TANKS
HS250TC	248,625 BTU/HR	181,119 BTU/HR
	2 X 100LB TANKS	2 X 100LB TANKS

Symptom	Troubleshooting
Blower does not come on	<ol style="list-style-type: none"> 1. Make sure the switch is either in the on or fan only position 2. Verify the extension cord being used is not too long 3. Check power source is 110v 4. Verify the setting on the thermostat is higher than the temperature in the space to be heated
Blower runs but the burner does not ignite	<ol style="list-style-type: none"> 1. Make sure the switch is in the on position not in the fan only position 2. Verify that the fuel connected to the unit is turned on and flowing. It may take a few cycles to get all the air out of the lines. 3. Make sure the rate and fuel switch are in the desired position for the fuel you are using and the setting (high or low) that you desire.
Unit producing little heat or no heat.	<ol style="list-style-type: none"> 1. Make sure the switch is in the on position not the fan only position 2. Make sure the rate and fuel switch are in the desired position for the fuel you are using and the setting (high or low) that you desire. 3. Verify that the fuel pressure being supplied to the heater is adequate. Refer to the specification table in this manual for required pressures. 4. Make sure the factory supplied hose and regulator are being used.
Heater will not shut down	<ol style="list-style-type: none"> 1. Verify the switch is in the off position not on or fan only. 2. Check current setting on the thermostat. Is it set to a temperature higher than the space being heated? 3. Heater will only cycle on and off when optional thermostat is installed.
Unit will not turn on with thermostat installed	<ol style="list-style-type: none"> 1. Verify that the thermostat is installed correctly. Heater will only cycle on and off when the optional thermostat is installed. 2. Verify the setting on the thermostat is higher than the temperature in the space to be heated 3. Check that the power switch is in the "on" position. The thermostat will only cycle on and off if the power switch is in the on position
Unit will not turn off with thermostat installed.	<ol style="list-style-type: none"> 1. Verify the setting of the thermostat is lower than the temperature in the space being heated. 2. Verify that the thermostat is installed correctly, the unit may just be on the on position. 3. Heater may be undersized or for the space being heated.
Red HLS fault light is on (Figure 2)	<ol style="list-style-type: none"> 1. Verify that the path of heat is not obstructed. 2. Check for blockage in the duct and at the end diffuser 3. Check the fuel and rate selections are accurate. If the wrong fuel is selected the unit will over heat.

FOR FURTHER ASSISTANCE

If after you have reviewed the trouble shooting in this manual and you still require assistance please use any of the following methods to contact our technical service department. We will do our absolute best to resolve any issues or problems that arise. Most problems can be solved in just a few minutes.

HOURS ARE: Monday- Friday 8:00am until 5:00pm

CALL: 866-447-2194

FAX: 800-321-0552

VISIT: HEATSTARBYENERCO.COM

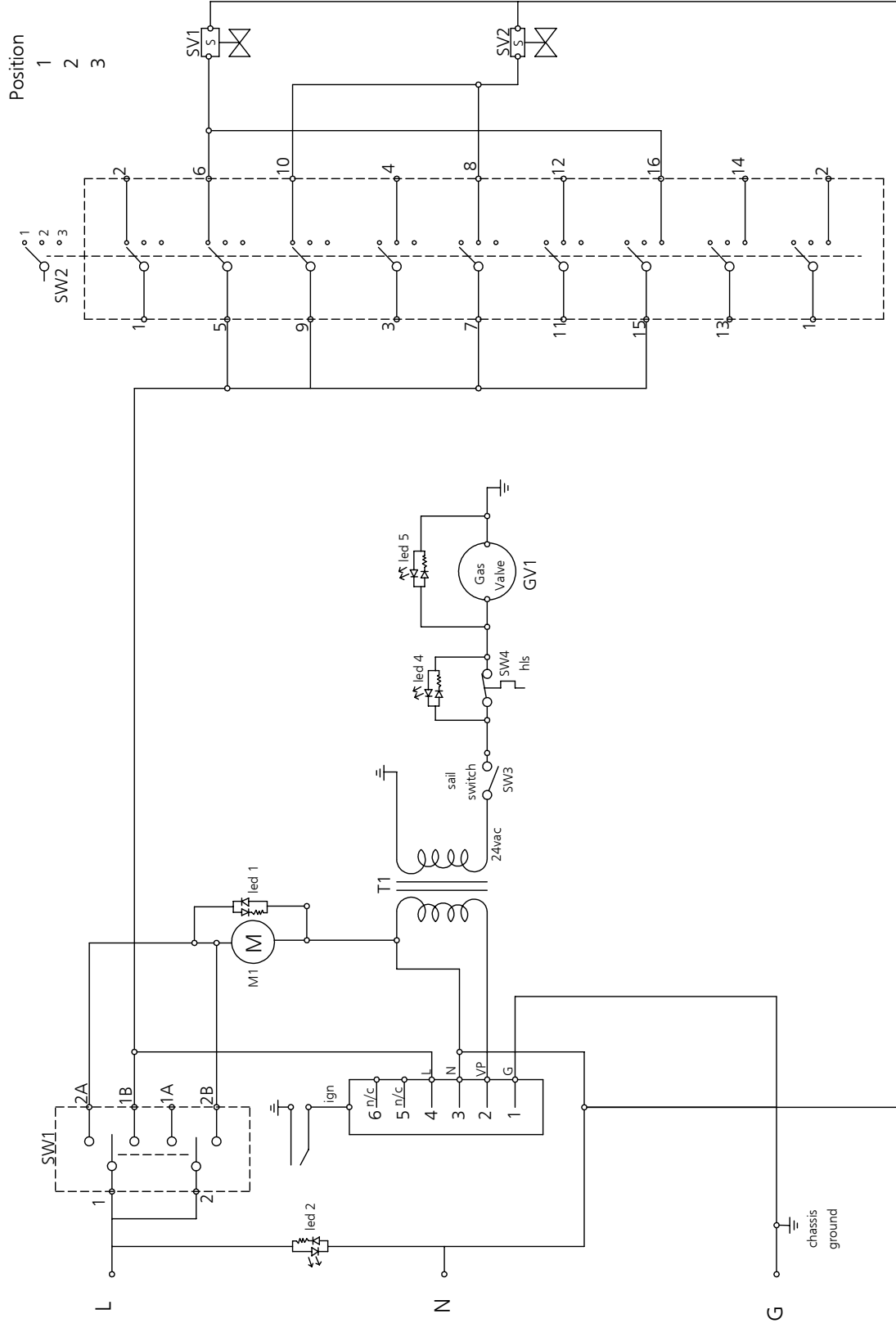
INQUIRIES IN CANADA ONLY

PLEASE CALL: 877-477-3353

VISIT IPSPower.COM

WIRING DIAGRAM-ALL UNITS

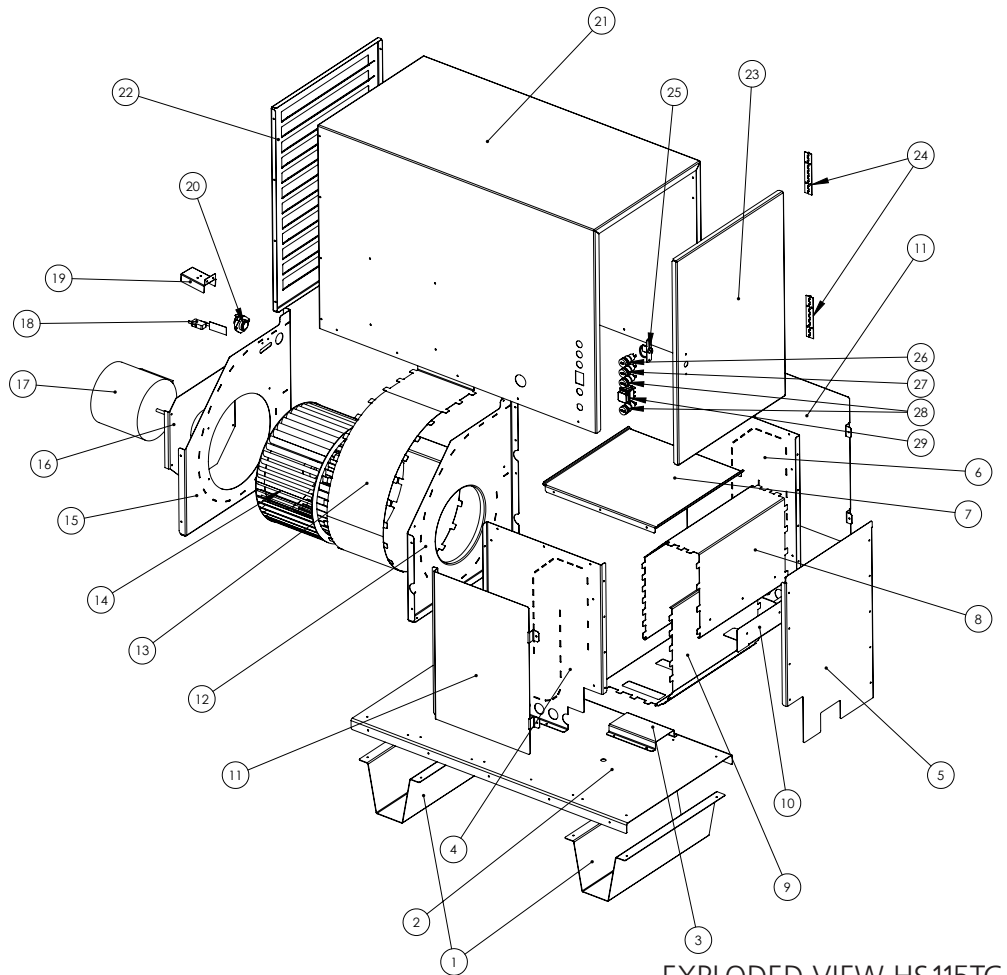
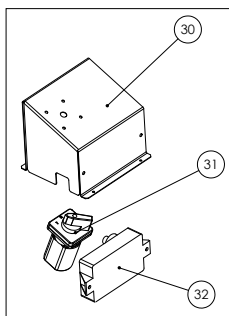
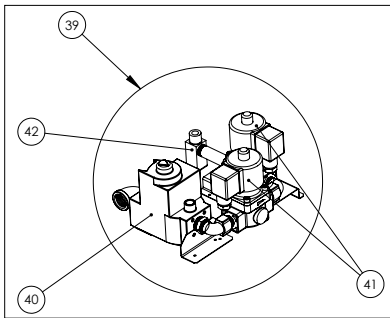
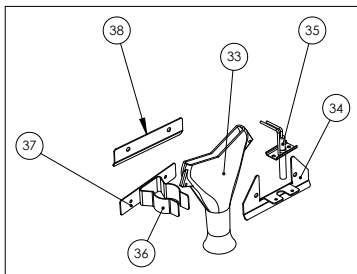
Valve(s) Open
SV1 & SV2
SV2
SV1



Chassis wiring is stranded 18 AWG / 105 C / @ 600 Volts
 Igniter wiring is 16 AWG / 25KVDC / 10 KVAC
 (replace with same ratings)
 (all quick connects fully insulated)

#	P/N	PART DESCRIPTION	QTY
1	60801	HEATER FOOT	2
2	60800	HEATER BASE	1
3	60802	SOLENOID SUPPORT	1
4	60818	COMBUSTION CHAMBER -RIGHT	1
5	60820	COMBUSTION CHAMBER -BACK	1
6	60817	COMBUSTION CHAMBER -LEFT	1
7	60819	COMBUSTION CHAMBER -TOP	1
8	60822	COMBUSTION CHAMBER -UPPER FLANGE	1
9	60821	COMBUSTION CHAMBER -LOWER FLANGE	1
10	60823	LOWER BURNER COVER	1
11	60824	COMBUSTION CHAMBER -HEAT SHIELD	2
12	60813	INSIDE BLOWER PANEL	1
13	60815	BLOWER TUBE	1
14	60816	115 BLOWER WHEEL	1
15	60812	OUTSIDE BLOWER PANEL	1
16	60814	MOTOR MOUNTING PLATE	1
17	60843	115 MOTOR - 1/3HP	1
18	00613	SAIL SWITCH	1
19	00613	SAIL SWITCH BRACKET	1
20	60958	HIGH LIMIT SWITCH	1
21	60833	HEATER COVER	1
22	60835	MOTOR DOOR	1
23	60834	CONTROLS DOOR	1

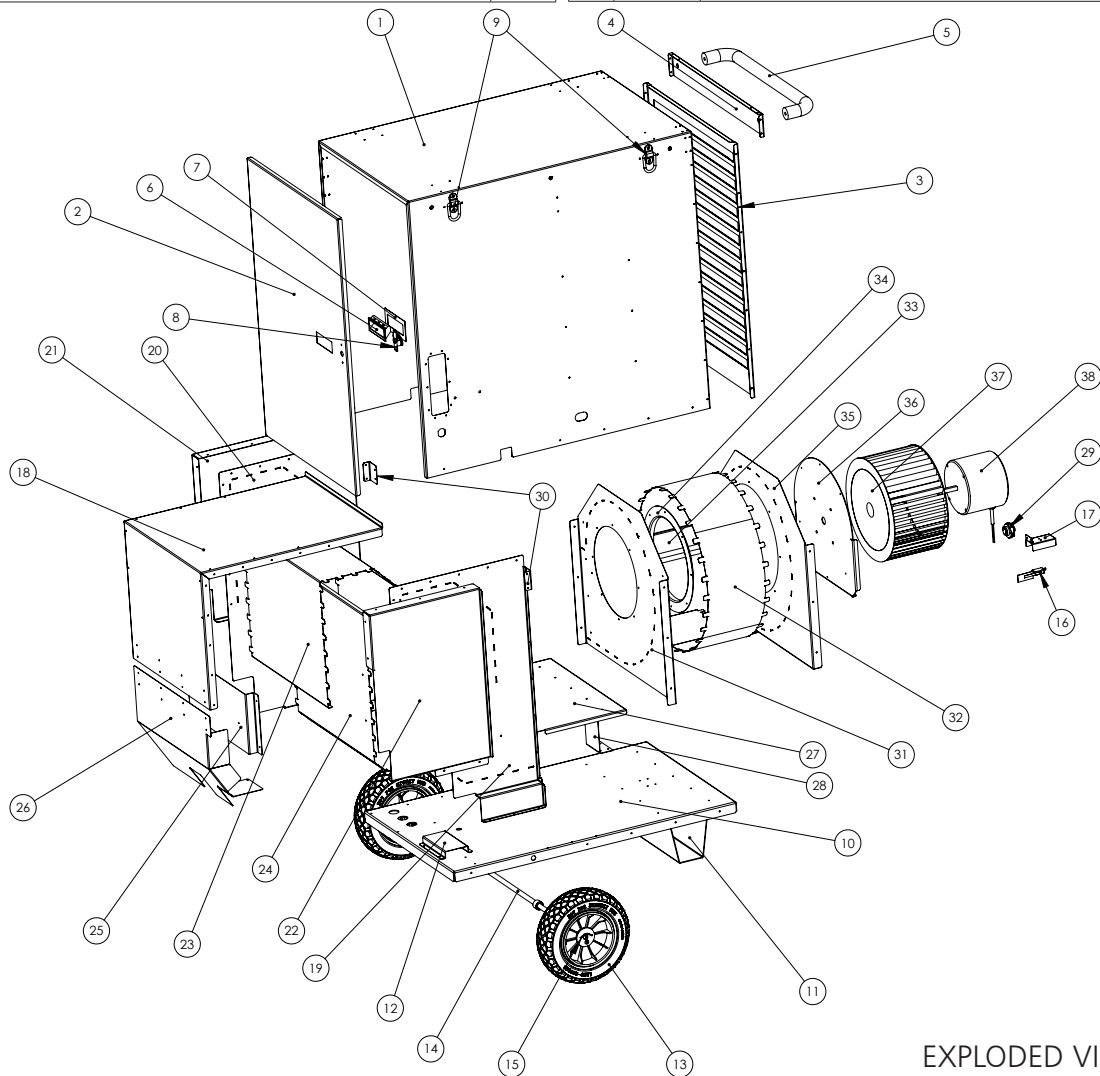
#	P/N	PART DESCRIPTION	QTY
24	60837	DOOR HINGE	1
25	60839	D-RING LATCH/LOCK	1
26	60847	24V RED LED LAMP - FAULT INDICATOR	1
27	60846	24V GREEN LED LAMP - GAS VALVE ON INDICATOR	1
28	60845	120V LED LAMP - GREEN	2
29	60841	MAIN POWER ROCKER SWITCH	1
30	60883	SELECTOR SWITCH BRACKET	1
31	60842	SELECTOR SWITCH	1
32	27808	FLAME CONTROL BOARD	1
33	60810	115 BURNER	1
34	60827	115 IGNITER BURNER PLATE-FRONT	1
35	60729	IGNITER/FLAME SENSE ASSY.	1
36	60831	115 BURNER CLAMP	1
37	60832	115 BURNER CLAMP BASE	1
38	60826	115 IGNITER BURNER PLATE-BACK	1
39	00600	GAS TRAIN ASSY.	1
40	60129	GAS VALVE	1
41	60848	SOLENOID VALVE	2
42	60809	ORIFICE HOLDER	1
**	60969	HOSE,ASSY,NOMAD,15',1/2"MP,1/2"FF	1
**	00617	REGULATOR W/ POL	1
**	00618	THERMOSTAT ASSEMBLY W/ CORD	1



EXPLODED VIEW HS115TC

NOTES:

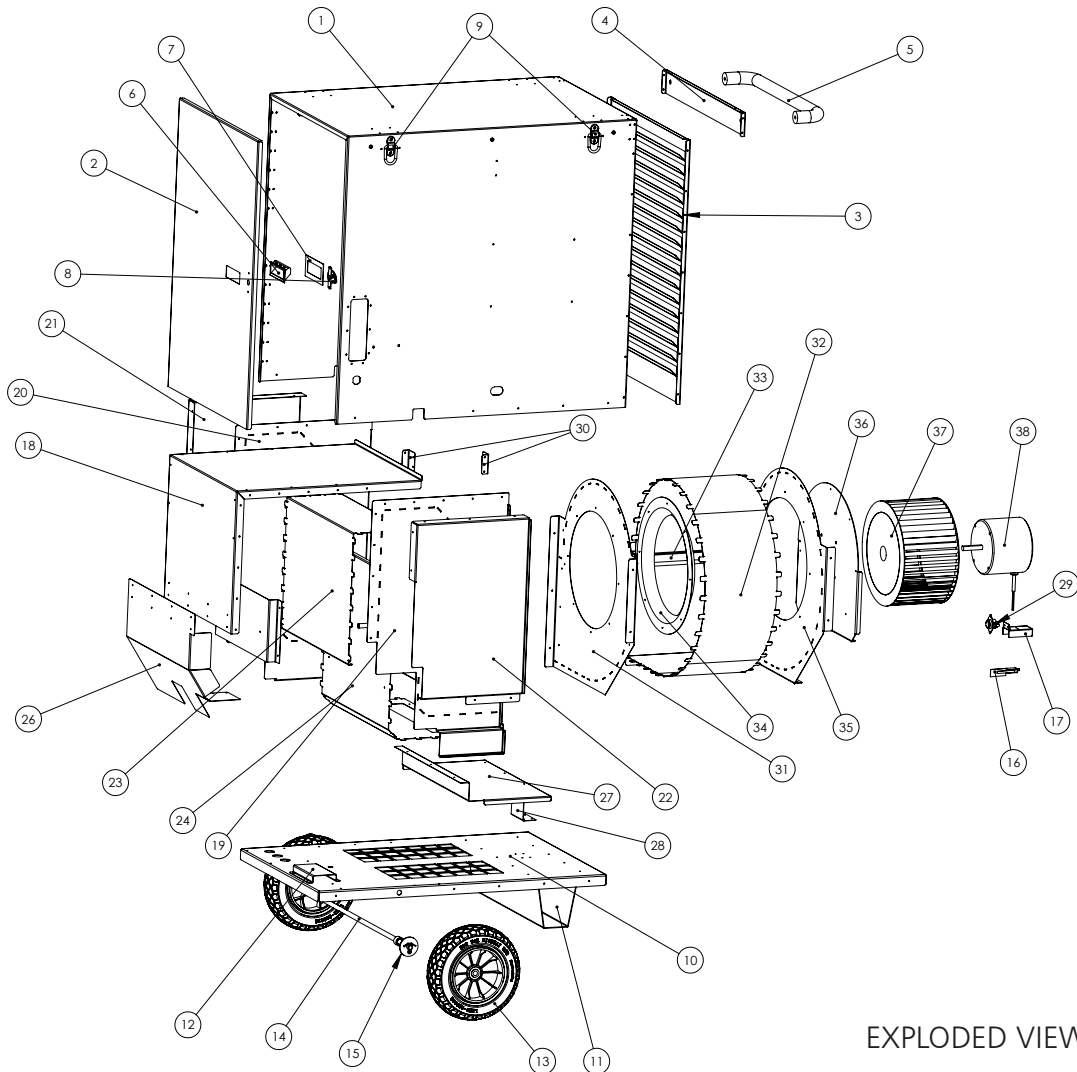
#	P/N	PART DESCRIPTION	QTY	#	P/N	PART DESCRIPTION	QTY
1	60973	190 COVER	1	22	90924	COMBUSTION CHAMBER-LEFT HEAT SHIELD	1
2	60904	ELECTRICAL DOOR	1	23	60892	COMBUSTION CHAMBER-TOP FLANGE	1
3	60905	MOTOR DOOR	1	24	60893	COMBUSTION CHAMBER-BOTTOM FLANGE	1
4	60906	FIXED PIECE HANDLE MOUNT	1	25	60925	BURNER STAND-OFF	1
5	60908	HANDLE	1	26	60885	COMBUSTION CHAMBER-LOWER HEAT SHIELD	1
6	60916	DOOR HANDLE	1	27	60974	BLOWER SHELF	1
7	60913	DOOR HANDLE SPACER	1	28	60975	BLOWER SHELF SUPPORT	1
8	60917	DOOR LATCH	1	29	60899	HIGH LIMIT SWITCH	1
9	60915	HOIST RINGS	4	30	60894	COMBUSTION CHAMBER SUPPORT	2
10	60884	BASE	1	31	60977	HOUSING RIGHT SIDE	1
11	60901	BASE FOOT	1	32	60978	BLOWER TUBE	1
12	60802	SOLENOID SUPPORT	1	33	60981	HOUSING DEFLECTOR ATTACHMENT	1
13	40940	WHEEL	2	34	60980	HOUSING INLET ADAPTER	1
14	60902	AXEL	1	35	60976	HOUSING LEFT SIDE	1
15	28787	WHEEL HARDWARE KIT	1	36	60979	MOTOR MOUNT	1
16	60851	SAIL SWITCH	1	37	60998	190 BLOWER WHEEL	1
17	60938	SAIL SWITCH BRACKET	1	38	60971	1/2HP MOTOR 190	1
18	60922	COMBUSTION CHAMBER-TOP	1	**	60969	HOSE,ASSY,NOMAD,15',1/2"MP - 1/2"FF	1
19	60891	COMBUSTION CHAMBER-LEFT	1	**	00617	REGULATOR W/ POL	1
20	60890	COMBUSTION CHAMBER-RIGHT	1	**	00618	THERMOSTAT ASSEMBLY W/ CORD	1
21	60923	COMBUSTION CHAMBER-RIGHT HEAT SHIELD	1				



EXPLODED VIEW HS190TC

NOTES:

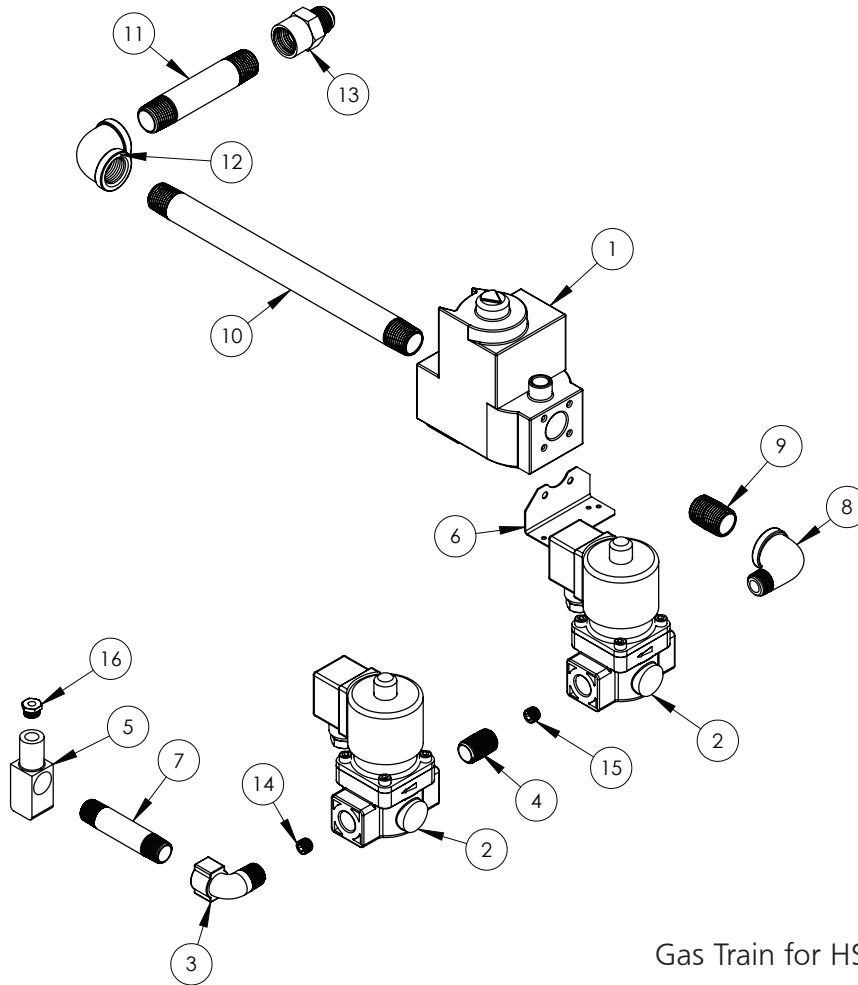
#	P/N	PART DESCRIPTION	QTY	#	P/N	PART DESCRIPTION	QTY
1	60903	250 COVER	1	22	60924	COMBUSTION CHAMBER-LEFT HEAT SHIELD	1
2	60904	ELECTRICAL DOOR	1	23	60920	COMBUSTION CHAMBER-TOP FLANGE	1
3	60905	MOTOR DOOR	1	24	60921	COMBUSTION CHAMBER-BOTTOM FLANGE	1
4	60906	FIXED PIECE HANDLE MOUNT	1	25	60925	BURNER STAND-OFF	1
5	60908	HANDLE	1	26	60885	COMBUSTION CHAMBER-LOWER HEAT SHIELD	1
6	60916	DOOR HANDLE	1	27	60930	BLOWER SHELF	1
7	60913	DOOR HANDLE SPACER	1	28	60931	BLOWER SHELF SUPPORT	1
8	60917	DOOR LATCH	1	29		HIGH LIMIT SWITCH	1
9	60915	HOIST RINGS	4	30	60894	COMBUSTION CHAMBER SUPPORT	2
10	60900	BASE	1	31	60933	HOUSING RIGHT SIDE	1
11	60901	BASE FOOT	1	32	60934	BLOWER TUBE	1
12	60802	SOLENOID SUPPORT	1	33	60937	HOUSING DEFLECTOR ATTACHMENT	1
13	40940	WHEEL	2	34	60936	HOUSING INLET ADAPTER	1
14	60902	AXEL	1	35	60932	HOUSING LEFT SIDE	1
15	28787	WHEEL HARDWARE KIT	1	36	60935	MOTOR MOUNT	1
16	00673	SAIL SWITCH	1	37	60940	250 BLOWER WHEEL	1
17	60938	SAIL SWITCH BRACKET	1	38	60960	3/4 HP MOTOR 190	1
18	60922	COMBUSTION CHAMBER-TOP	1	**	60969	HOSE,ASSY,NOMAD,15',1/2"MP - 1/2"FF	1
19	60919	COMBUSTION CHAMBER-LEFT	1	**	00617	REGULATOR W/ POL	1
20	60918	COMBUSTION CHAMBER-RIGHT	1	**	00618	THERMOSTAT ASSEMBLY W/ CORD	1
21	60923	COMBUSTION CHAMBER-RIGHT HEAT SHIELD	1				



EXPLODED VIEW HS250TC

#	P/N	PART DESCRIPTION	QTY
1	60129	HONEYWELL GAS VALVE	1
2	60848	SOLENOID VALVE	2
3	70597	3/8" FPT X 3/8" MPT - STREET ELBOW	1
4	60804	3/8" PIPE CLOSE NIPPLE	1
5	60948	ORIFICE HOLDER	1
6	60949	GAS VALVE BRACKET	1
7	60805	3/8" X 3 PIPE NIPPLE	1
8	60955	1/2" FPT X 3/8" MPT - STREET ELBOW	1
9	60954	1/2" PIPE CLOSE NIPPLE	1
10	60956	1/2" X 10" PIPE NIPPLE	1

#	P/N	PART DESCRIPTION	QTY
11	02724	1/2" X 4" PIPE NIPPLE	1
12	60957	1/2" X 1/2" ELBOW	1
13	02744	1/2" MALE FLARE	1
14-A	60881	250 BYPASS ORIFICE 1	1
15-A	60882	250 BYPASS ORIFICE 2	1
16-A	60880	250 MAIN ORIFICE	1
14-B	60878	190 BYPASS ORIFICE 1	1
15-B	60879	190 BYPASS ORIFICE 2	1
16-B	60887	190 BYPASS ORIFICE 2	1



Gas Train for HS190TC & HS250TC

WARNING:

USE ONLY MANUFACTURER'S REPLACEMENT PARTS. USE OF ANY OTHER PARTS COULD CAUSE INJURY OR DEATH. REPLACEMENT PARTS ARE ONLY AVAILABLE DIRECT FROM THE FACTORY AND MUST BE INSTALLED BY A QUALIFIED SERVICE AGENCY.

FOR SERVICE OR PARTS INQUIRIES

PLEASE CALL: 866-447-2194 OR 216-916-3000
VISIT: WWW.HEATSTARBYENERCO.COM

INQUIRIES IN CANADA ONLY

PLEASE CALL: 877-477-3353
VISIT IPSPower.COM

CORPORATE ADDRESS

HEATSTAR BY ENERCO
4560 WEST 160TH STREET
CLEVELAND, OHIO 44135

OUR OFFICE HOURS ARE 8:00 AM -5:00 PM EST MONDAY-FRIDAY

WHEN CONTACTING US:

PLEASE HAVE YOUR SERIAL NUMBER AND MODEL NUMBER HANDY. THESE CAN BOTH BE LOCATED ON THE RATING LABEL LOCATED ON THE INSIDE OF THE ACCESS PANEL.
RETAIN THIS MANUAL FOR FUTURE REFERENCE.

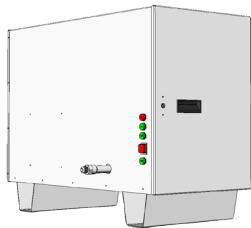
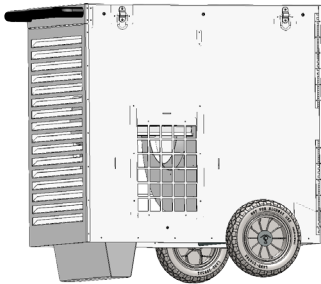


OPERATING INSTRUCTIONS AND OWNER'S MANUAL

Model #

HS115TC
HS190TC
HS250TC

READ INSTRUCTIONS CAREFULLY: Read and follow all instructions. Place instructions in a safe place for future reference. Do not allow anyone who has not read these instructions to assemble, light, adjust or operate the heater.



WARNING:

USE ONLY MANUFACTURER'S REPLACEMENT PARTS. USE OF ANY OTHER PARTS COULD CAUSE INJURY OR DEATH. REPLACEMENT PARTS ARE ONLY AVAILABLE DIRECT FROM THE FACTORY AND MUST BE INSTALLED BY A QUALIFIED SERVICE AGENCY.

PARTS ORDERING INFORMATION:

PURCHASING: Accessories may be purchased at any HEAT STAR local dealer or direct from the factory

FOR INFORMATION REGARDING SERVICE

Please call Toll-Free 866-447-2194 • HEATSTARBYENERCO.COM

Our office hours are 8:00 AM – 5:00 PM, EST, Monday through Friday.

Please include the model number, date of purchase, and description of problem in all communication.

LIMITED WARRANTY

The company warrants this product to be free from imperfections in material or workmanship, under normal and proper use in accordance with instructions of The Company, for a period of one year from the date of delivery to the buyer. The Company, at its option, will repair or replace products returned by the buyer to the factory, transportation prepaid within said one year period and found by the Company to have imperfections in material or workmanship.

If a part is damaged or missing, call our Technical Support Department at 866-447-2194.

Address any Warranty Claims to the Service Department, HEAT STAR Group, Inc., 4560 W. 160th St., Cleveland, Ohio 44135. Include your name, address and telephone number and include details concerning the claim. Also, supply us with the purchase date and the name and address of the dealer from whom you purchased our product.

The foregoing is the full extent of the responsibility of the Company. There are no other warranties, express or implied. Specifically there is no warranty of fitness for a particular purpose and there is no warranty of merchantability. In no event shall the Company be liable for delay caused by imperfections, for consequential damages, or for any charges of the expense of any nature incurred without its written consent. The cost of repair or replacement shall be the exclusive remedy for any breach of warranty. There is no warranty against infringement of the like and no implied warranty arising from course of dealing or usage of trade. This warranty will not apply to any product which has been repaired or altered outside of the factory in any respect which in our judgment affects its condition or operation.

Some states do not allow the exclusion or limitation of incidental or consequential damages, so the above limitation or exclusion may not apply to you. This Warranty gives you specific legal rights, and you may have other rights which vary from state to state.

HEAT STAR Group, Inc. reserves the right to make changes at any time, without notice or obligation, in colors, specifications, accessories, materials and models.

PRODUCT REGISTRATION: Thank you for your purchase.
Please log in to HEATSTARBYENERCO.COM to register your product.



Intertek

ANSI Z83.7b-2009/CSA 2.14b-2009

HEAT STAR, INC., 4560 W. 160TH ST., CLEVELAND, OHIO 44135 • 866-447-2194



INSTRUCTIONS D'UTILISATION ET MANUEL DU PROPRIÉTAIRE

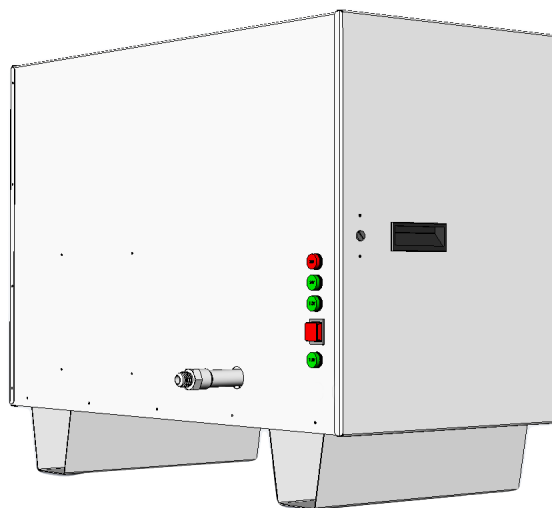
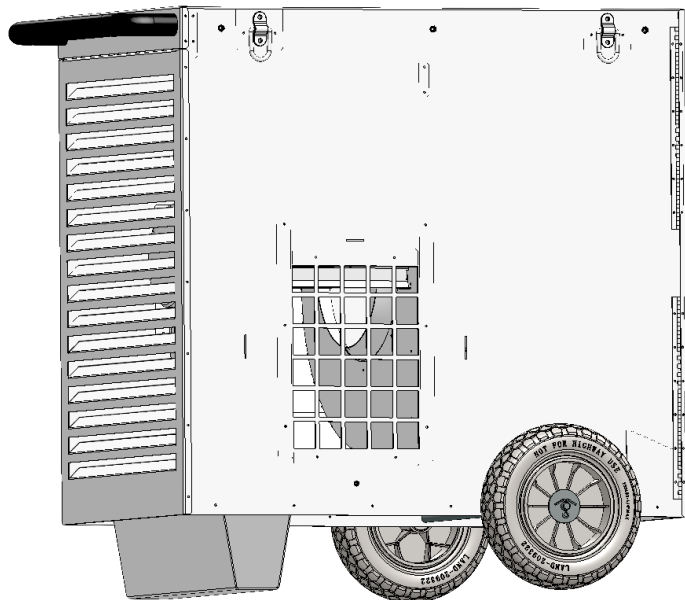
No de modèle

HS115TC

HS190TC

HS260TC

VEUILLEZ LIRE ATTENTIVEMENT LES INSTRUCTIONS : Lire et observer toutes les instructions. Conserver ces instructions dans un endroit sécuritaire pour vous y référer ultérieurement. Interdisez à quiconque n'ayant pas lu les présentes instructions d'assembler, d'allumer, de régler ou de faire fonctionner cette fournaise.



FOURNAISE NOMAD À DEUX COMBUSTIBLES ET À AIR PULSÉ

LANGUES INCLUSES

- ANGLAIS
- FRANÇAIS
- ESPAGNOL

AVERTISSEMENT : Si l'information dans ce manuel n'est pas suivie exactement, un incendie ou une explosion pourrait se produire causant des dommages aux biens, des blessures personnelles ou un décès.

- N'entreposez et n'utilisez pas d'essence ou d'autres liquides ou vapeurs inflammables à proximité de ce type d'appareil ou de tout autre appareil.
- Un cylindre de gaz propane (liquéfié) non branché pour utilisation ne devrait pas être entreposé près de cet appareil ou de tout autre appareil.
- QUOI FAIRE SI VOUS SENTEZ DU GAZ
 - N'essayez pas d'allumer l'appareil.
 - Éteignez toute flamme nue.
 - Fermez l'entrée de gaz allant vers l'appareil.
- L'entretien doit être effectué par une entreprise d'entretien accréditée.

Il s'agit d'une fournaise portable alimentée au gaz et non aérée. L'appareil utilise de l'air (oxygène) de l'endroit où il est utilisé. Une combustion et une ventilation adéquates doivent être fournies. Référez-vous à aux pages 4 et 5.

⚠ AVERTISSEMENT :

VOTRE SÉCURITÉ EST IMPORTANTE POUR VOUS ET POUR LES AUTRES, PAR CONSÉQUENT VEUILLEZ LIRE CES DIRECTIVES AVANT DE FAIRE FONCTIONNER CET APPAREIL DE CHAUFFAGE.

⚠ AVERTISSEMENT GÉNÉRAL DE DANGER :

LE NON-RESPECT DES MESURES DE PRÉVENTION ET DES INSTRUCTIONS FOURNIES AVEC CET APPAREIL DE CHAUFFAGE RISQUE DE CAUSER LA MORT, DES BLESSURES GRAVES ET DES DOMMAGES OU DES PERTES MATÉRIELLES RÉSULTANT D'INCENDIE, D'EXPLOSION, DE BRÛLURE, D'ASPHYXIE, D'INTOXICATION AU MONOXYDE DE CARBONE ET/OU D'ÉLECTROCUTION. SEULES LES PERSONNES APTES À COMPRENDRE ET À RESPECTER LES INSTRUCTIONS DEVRAIENT UTILISER OU EFFECTUER LE SERVICE DE CET APPAREIL DE CHAUFFAGE. SI VOUS AVEZ BESOIN D'AIDE OU D'INFORMATION CONCERNANT LA FOURNAISE TELS QUE MANUEL D'INSTRUCTIONS, ÉTIQUETTES, ETC., VEUILLEZ COMMUNIQUER AVEC LE FABRICANT.

⚠ AVERTISSEMENT :

NON CONÇU POUR UNE UTILISATION À L'INTÉRIEUR DE LA MAISON OU DANS UN VÉHICULE RÉCRÉATIF.

⚠ AVERTISSEMENT :

DANGER D'INCENDIE, D'INHALATION ET D'EXPLOSION. GARDEZ LES COMBUSTIBLES SOLIDES TELS QUE LES MATÉRIAUX DE CONSTRUCTION LE PAPIER ET LE CARTON À UNE DISTANCE SÉCURITAIRE DE L'APPAREIL DE CHAUFFAGE TEL QUE RECOMMANDÉ DANS LES INSTRUCTIONS. N'UTILISEZ JAMAIS LA FOURNAISE DANS UN ENDROIT QUI CONTIENT OU RISQUE DE CONTENIR DES COMBUSTIBLES VOLATILES OU EN SUSPENSION DANS L'AIR, OU DES PRODUITS TELS QUE DE L'ESSENCE, DES SOLVANTS, DU DILUANT À PEINTURE, DES PARTICULES DE POUSSIÈRE OU DES PRODUITS CHIMIQUES INCONNUS.

L'ÉTAT DE CALIFORNIE EXIGE QUE L'AVERTISSEMENT SUIVANT SOIT FOURNI :

AVERTISSEMENT : Les sous-produits de combustion émis lors de l'utilisation de cet appareil contiennent du monoxyde de carbone, un produit chimique reconnu par l'état de Californie comme pouvant causer le cancer et des malformations congénitales (ou autres dommages au système reproducteur).

AVERTISSEMENT : Cet appareil contient des produits chimiques reconnus par l'état de Californie comme pouvant causer le cancer et des malformations congénitales ou autres dommages au système reproducteur.

CONTENU

- AVERTISSEMENTS 2
- SPÉCIFICATIONS 3
- PRÉCAUTIONS LIÉES AU FONCTIONNEMENT 4
- PRÉCAUTIONS DE SÉCURITÉ 4
- MISE EN GARDE LIÉE AUX SUBSTANCES ODORANTES 5
- ASSEMBLAGE ET PRÉPARATION POUR L'UTILISATION..... 6
- INFORMATION SUR LE TUYAU ET LE RÉGULATEUR 6
- SÉLECTION DU COMBUSTIBLE ET DU TAUX 7
- FONCTIONNEMENT 7
- UTILISATION DES ACCESSOIRES 8
- ARRÊT ET ENTREPOSAGE 9
- ENTRETIEN..... 9
- SÉLECTION DE LA GRANDEUR DU CYLINDRE AU PROPANE 10
- DÉPANNAGE 11
- SCHÉMA DU CÂBLAGE 12
- LISTES DES PIÈCES ET VUES ÉCLATÉES 13
- INFORMATION SUR LA GARANTIE 20

Cette fournaise NOMAD à deux combustibles et et air forcé a été assemblée aux États-Unis par :

Enerco Group Inc. 4560 West 160th Street
Cleveland, Ohio 44135 États-Unis

Pour des questions ou des demandes, nous contacter au :

TÉLÉPHONE : 866-447-2194
TÉLÉCOPIEUR : 800-321-0552
SITE WEB : HEATSTARBYENERCO.COM.

Nos heures de bureau sont les suivantes :
Du lundi au vendredi entre 8 h et 17 h



SPÉCIFICATIONS

No DE MODÈLE (No de stock)	HS115TC (F109100)	HS190TC (F109110)	HS250TC (F109120)
ENTRÉE BTU/kW DU PROPANE			
GPL ÉLEVÉ (kW)	110 833 BTU/H (32 kW)	190 200 BTU/H (56 kW)	248 625 BTU/H (73 kW)
GPL BAS (kW)	80 612 BTU/H (24 kW)	127 100 BTU/H (37 kW)	181 119 BTU/H (53 kW)
GN ÉLEVÉ (kW)	107 586 BTU/H (32 kW)	183 600 BTU/H (54 kW)	248 625 BTU/H (73 kW)
GN BAS (kW)	77 124 BTU/H (23 kW)	128 700 BTU/H (38 kW)	172 252 BTU/H (50 kW)
PRESSIONS DE FONCTIONNEMENT DU GAZ (COLONNE D'EAU/kPa)			
GPL D'ENTRÉE MAX.	PRESSION DU CYLINDRE	PRESSION DU CYLINDRE	PRESSION DU CYLINDRE
GN D'ENTRÉE MAX (Kpa)	14 po C.A. (3,49 kPa)	14 po C.A. (3,49 kPa)	14 po C.A. (3,49 kPa)
GPL D'ENTRÉE MIN (Kpa)	15 PSI (103,4 kPa)	15 PSI (103,4 kPa)	15 PSI (103,4 kPa)
GN D'ENTRÉE MIN (Kpa)	7 po C.A. (1,74 kPa)	7" C.A. (1,74 kPa)	7 po C.A. (1,74 kPa)
PRESSION DE LA RAMPE À GAZ	4 po C.A. (0,99 kPa)	4 po C.A. (0,99 kPa)	4 po C.A. (0,99 kPa)
CONSOMMATION DE COMBUSTIBLE À L'HEURE			
KG/LB GPL ÉLEVÉ	5,326 LB/H (2,41 Kg)	8,8 LB/H (3,99 Kg)	12,042 LB/H (5,46 Kg)
KG/LB GPL BAS	3,937 LB/H (1,78 Kg)	6,253 LB/H (2,83 Kg)	8,568 LB/H (3,88 Kg)
MCF GN ÉLEVÉ	0,110 MPC	0,185 MPC	0,240 MPC
MCF GN BAS	0,08 MPC	0,130 MPC	0,175 MPC
SPÉCIFICATIONS ÉLECTRIQUES			
ÉLEC. ALIMENTATION (VOLTS/Hz/PHASE)	115 V - 60 HZ - 1 Ø	115 V - 60 HZ - 1 Ø	115 V - 60 HZ - 1 Ø
AMPÈRES EN CONTINU	3,5 AMPS	5,5 AMPS	8 AMPS
H.P. DU MOTEUR	1/3 H.P.	1/2 H.P.	3/4 H.P.
WATTS DU MOTEUR	220 W	500 W	800 W
T/M DU MOTEUR	1100	1100	1035
DIMENSIONS/POIDS DE LA FOURNAISE			
POIDS DE LA FOURNAISE	91 LB (40,3 kg)	159 LB (72 kg)	165 LB (75 kg)
DIMENSIONS DE LA FOURNAISE (LxlxH)	30 po x 23,75 po x 15 po	35,75 po x 34,75 po x 20,25 po	35,75 po x 34,75 po x 20,25 po
POIDS DE LA BOÎTE (LB/KG)	102 LB (46,3 kg)	176 LB (79,8 kg)	182 LB (83 kg)
DIMENSIONS DE LA BOÎTE (LxlxH)	34,5 po x 25,75 po x 20 po	39 po x 36,75 po x 24,25 po	39 po x 36,75 po x 24,25 po

DISTANCE DE DÉGAGEMENT DES MATÉRIAUX COMBUSTIBLES

	SUPÉRIEUR	CÔTÉS	ENDOS	SORTIE
HS115TC	1 pi	1 pi	1 pi	6 pi
HS190TC	1 pi	1 pi	1 pi	6 pi
HS250TC	1 pi	1 pi	1 pi	6 pi

PRÉCAUTIONS LIÉES AU FONCTIONNEMENT

C'est une fournaise à air pulsé, à feu direct, au propane ou au gaz naturel. Son utilisation voulue est premièrement le chauffage temporaire d'édifices en construction, modification ou réparation.

Le propane est plus lourd que l'air. Si le combustible s'échappe d'une connexion ou d'un raccord, il tombe au plancher, se ramassant là avec l'air environnant, formant un mélange explosif potentiel. Évidemment, les fuites de combustible doivent être évitées, donc fixez l'alimentation du combustible avec le plus grand soin. Lisez les avertissements sur Substances odorantes et propane inclus dans ce manuel pour plus d'informations sur la détection de fuites de gaz. Vérifiez toute nouvelle connexion ou re-connexion pour toute fuite avec une solution de savon et d'eau et suivez toutes les instructions de connexion du présent document. Également, demandez des avis à votre revendeur de propane ou votre fournisseur de gaz naturel sur l'installation de l'alimentation et de l'application de la fournaise et demandez-lui de vérifier le tout si vous avez des questions à ce sujet.

Cette fournaise a été conçue et homologuée pour être utilisée comme appareil de chauffage (fornaise) pour chantier de construction, conformément à la norme ANSI Z83,7/CSA 2,14. Veuillez vérifier auprès de votre autorité locale en sécurité et incendie si vous avez des questions concernant vos applications. D'autres normes régissent l'utilisation des gaz combustibles et des produits de combustion lors d'applications spécifiques. Votre autorité locale saura vous conseiller à cet égard.

À feu direct signifie que l'ensemble des produits de combustion entre l'espace de chauffage. Même si cette fournaise fonctionne très près d'une efficacité de combustion de 100 pour cent, elle produit quand même de petites quantités de monoxyde de carbone. Le monoxyde de carbone (CO) est toxique. Nous pouvons tolérer de petites quantités mais pas trop. Le CO peut s'amasser dans un espace chauffé et un échec à fournir une ventilation adéquate peut causer la mort. Les symptômes d'une ventilation inadéquate incluent :

- maux de tête
- étourdissement
- yeux et nez qui piquent
- nausée
- bouche sèche ou maux de gorge

Donc, assurez-vous de suivre les conseils de ces instructions de fonctionnement concernant la ventilation .

À air pulsé signifie qu'une souffleuse ou un ventilateur pousse l'air à travers la fournaise. Une combustion correcte dépend du flux d'air; ainsi, la fournaise ne doit pas être corrigée, modifiée ou en fonctionnement avec des pièces enlevées ou manquantes. De même, les systèmes de sécurité ne doivent pas être contournés ou modifiés afin de faire fonctionner la fournaise.

Lorsque la fournaise doit fonctionner en présence de d'autres personnes, l'utilisateur est responsable de renseigner adéquatement les gens présents avec les précautions et instructions de sécurité, ainsi que les dangers impliqués.

PRÉCAUTIONS DE SÉCURITÉ

1. Bien vérifier la fournaise pour tout dommage. N'UTILISEZ PAS une fournaise endommagée.
2. **NE PAS** modifier la fournaise ou faire fonctionner une fournaise qui a été modifiée par rapport à sa condition originale.
3. Utilisez seulement les types de combustible pour lesquels la fournaise a été certifiée.
4. Si vous utilisez du propane, utilisez seulement une alimentation au propane de type RETRAIT DE VAPEUR. S'il y a des questions sur le système de retrait de vapeurs, posez-les à votre revendeur de propane.
5. Montez verticalement les cylindres de propane (la valve d'arrêt vers le haut). Bien les fixer afin de les empêcher de tomber ou d'être renversés et protégez-les de tout dommage.
6. Placez les bonbonnes de propane à au moins 2,13 m (7 pi) (É.-U.), 3 m (10 pi) (Canada) de la fournaise et **ne dirigez pas** la sortie de cette dernière vers les bonbonnes.
7. **IMPORTANT** Utilisez uniquement l'assemblage de tuyau et de régulateur fournis avec la fournaise. Inspectez le tuyau lors de chaque utilisation de la fournaise. S'il y a une abrasion ou une usure excessive, ou si le tuyau est coupé, remplacez-le avec l'assemblage de tuyau énuméré sur la liste des pièces dans ce manuel avant toute utilisation de la fournaise.
8. Pour une utilisation à l'intérieur ou à l'extérieur lorsqu'une aération adéquate a été fournie. Espaces libres minimum de 0,046 m (0,5 pi ca) près du plancher et 0,046 m (0,5 pi ca) près du plafond (voir également « Précautions de fonctionnement »).
9. Si, à tout moment, une odeur de gaz est détectée, ARRÊTEZ IMMÉDIATEMENT le fonctionnement jusqu'à ce que la source du gaz soit trouvée et corrigée. Lisez l'information jointe sur les Substances odorantes et le propane pour de l'informations supplémentaires sur la détection de fuites de propane ou de gaz naturel.
10. Bien que cette fournaise soit conçue pour résister une quantité raisonnable d'intempéries. Il est mieux d'installer la fournaise de façon à ce qu'elle ne soit pas exposée à une vaporisation d'eau, à de la pluie ou à de l'eau qui dégoutte.
11. Maintenez un espace minimum de tout matériau combustible normal, tel le papier, les bâches, les toiles de plastiques ou recouvrements similaires, puis fixez-les pour les empêcher de battre ou de bouger sous l'effet du vent.
12. À cause des températures élevées de surface et de sortie, les adultes et les enfants doivent respecter l'espace libre recommandé afin d'éviter les brûlures ou l'inflammation des vêtements.
13. Faites fonctionner seulement sur une surface stable et à niveau .
14. Pour utilisation avec seulement des longueurs de conduites et des matériaux approuvés.
15. Utilisez seulement la tension électrique spécifiée. La connexion et la mise à la terre électrique doit respecter le Code électrique national - ANSI/NFPA 70 (États-Unis) et le Code électrique canadien CSA C22.1, Partie 1 (Canada).
16. Utilisez seulement un cordon d'extension ou une prise à 3 fiches correctement mise à la terre (longueur minimum de 1,83 m [6 pi]).
17. Ne pas déplacer, manipuler ou entretenir l'appareil lorsqu'il est chaud ou brûlant.
18. Utilisez seulement selon les codes locaux ou, en l'absence de codes locaux, avec le Standard pour l'entreposage et la manipulation de gaz de pétrole liquéfié ANSI/NFPA 58 et CSA B149.1, Code d'installation du propane et du gaz naturel.

MISE EN GARDE LIÉE AUX SUBSTANCES ODORANTES

⚠ MISE EN GARDE : DANGER D'ASPHYSIATION

N'utilisez pas cette fournaise pour réchauffer un espace habité par les humains.

- N'utilisez pas l'appareil dans des endroits sans ventilation.
- Le débit de combustion et l'air de ventilation ne doivent pas être obstrués.
- Un apport d'air de ventilation adéquat doit être fourni pour supporter les exigences en apport d'air de combustion de la fournaise utilisée.
- Référez-vous à la section des spécifications du manuel de la fournaise, à la plaque de données de l'appareil ou communiquez avec le fabricant pour obtenir les renseignements relatifs aux exigences en apport d'air de ventilation de l'appareil.
- Un apport d'air de ventilation inapproprié occasionnera une combustion inadéquate.
- Une combustion inadéquate peut provoquer une asphyxie par le monoxyde de carbone causant de sérieuses blessures ou la mort. Les symptômes d'empoisonnement par le monoxyde de carbone peuvent inclure des maux de tête, des étourdissements et des difficultés respiratoires.

ODEUR DU GAZ DE COMBUSTION

Le GPL et le gaz naturel contiennent des substances odorantes artificielles ajoutées spécifiquement pour la détection de fuites de gaz de combustion. Si une fuite de gaz survient, vous devriez pouvoir sentir le gaz de combustion. Puisque ces combustibles sont plus lourds que l'air, l'odeur de gaz se détecte plus facilement près du sol. TOUTE ODEUR DE GAZ EST UN SIGNAL QU'IL FAUT INTERVENIR IMMÉDIATEMENT!

- Ne pas entreprendre une action qui pourrait enflammer le gaz de combustion. Ne pas basculer des interrupteurs électriques. Ne tirez sur aucune source d'alimentation électrique ou rallonge électrique. N'allumez pas d'allumettes ni aucune source de flamme. N'utilisez pas votre téléphone.
- Faire sortir tout le monde du bâtiment et s'éloigner de la zone tout de suite.
- Fermer tous les cylindres de gaz propane (liquéfié) ou les vannes d'alimentation des cylindres de carburant ou la vanne d'alimentation principale de carburant située au compteur si vous utilisez du gaz naturel.
- Le gaz propane (liquéfié) est plus lourd que l'air et peut séjourner dans les zones basses. Quand vous avez toutes les raisons pour soupçonner une fuite de propane, empêchez l'accès à toutes les zones basses.
- Utiliser le téléphone de votre voisin et appeler votre fournisseur de gaz de combustion et les pompiers de votre secteur. Ne retournez pas dans l'immeuble ou dans le secteur.
- Vous tenir hors du bâtiment et loin de la zone jusqu'à ce qu'elle soit déclarée sûre par les pompiers et par le fournisseur de votre gaz de combustion.
- ENFIN, laisser le personnel d'entretien du gaz de combustion et les pompiers vérifier si du gaz s'est échappé. Leur faire aérer le bâtiment et la zone avant d'y retourner. Les personnels d'entretien correctement formés doivent réparer toutes les fuites, vérifier qu'il n'y ait pas d'autres fuites possibles et ensuite rallumer l'appareil pour vous.

SUBSTANCE ODORANTE AUCUNE ODEUR DÉCELÉE

- Certaines personnes ne peuvent pas bien sentir les odeurs. Certaines personnes ne peuvent détecter l'odeur du produit chimique synthétique ajouté au gaz propane (liquéfié) ou au gaz naturel. Vous devez déterminer si vous pouvez sentir cette substance odorante dans ces gaz combustibles.
- Apprenez à reconnaître l'odeur du gaz propane (liquéfié) et du gaz naturel. Les revendeurs locaux de gaz propane (liquéfié) seront plus

qu'heureux de vous donner une brochure que vous grattez et sentez. Utilisez-la pour vous familiariser avec l'odeur du gaz de combustion.

- Fumer peut diminuer votre capacité à sentir les odeurs. Se trouver alentour d'une odeur pour une certaine période de temps peut affecter votre sensibilité à cette odeur particulière. Les odeurs présentes dans les bâtiments où sont enfermés des animaux peuvent masquer l'odeur de gaz de carburant.
- **La substance odorante dans le gaz propane (liquéfié) et dans le gaz naturel n'a pas de couleur et l'intensité de son odeur peut se dissiper dans certaines circonstances.**
- S'il y a une fuite souterraine, le passage du gaz à travers le sol peut filtrer la substance odorante.
- L'odeur de gaz propane (liquéfié) peut différer dans son intensité à différents niveaux. Du fait que le gaz propane (liquéfié) est plus lourd que l'air, il peut y avoir plus d'odeurs à des niveaux inférieurs.
- **Soyez toujours être en alerte pour l'odeur de gaz la plus insignifiante.** Si vous continuez à détecter n'importe quelle odeur de gaz, aussi faible soit-elle, traitez-la comme une fuite sérieuse. Mettez-vous tout de suite en action comme il a été discuté précédemment.

ATTENTION - POINTS ESSENTIELS À RETENIR

- Le gaz propane (liquéfié) a une odeur reconnaissable. Apprenez à reconnaître ces odeurs. (Consultez les sections « Odeur du gaz combustible » et « Substance odorante » ci-dessus.)
- Même si vous n'êtes pas correctement formé dans l'entretien et la réparation de la fournaise, il faut TOUJOURS être consciemment averti des odeurs du gaz propane (liquéfié) et du gaz naturel.
- Si vous n'avez pas été correctement formé dans la réparation et l'entretien du gaz propane (liquéfié), alors ne tenter pas d'allumer la fournaise, de faire l'entretien ou les réparations ou de faire des réglages du système de combustion de gaz propane (liquéfié) de la fournaise.
- Un test périodique de reniflage autour de la fournaise ou aux raccords de l'appareil de chauffage ; c.-à-d. tuyauterie, connexions, etc., est une bonne pratique de sécurité sous n'importe quelles conditions. Si vous sentez l'odeur de même une petite quantité de gaz, CONTACTEZ VOTRE FOURNISSEUR DE GAZ DE COMBUSTION IMMÉDIATEMENT. N'ATTENDEZ PAS!

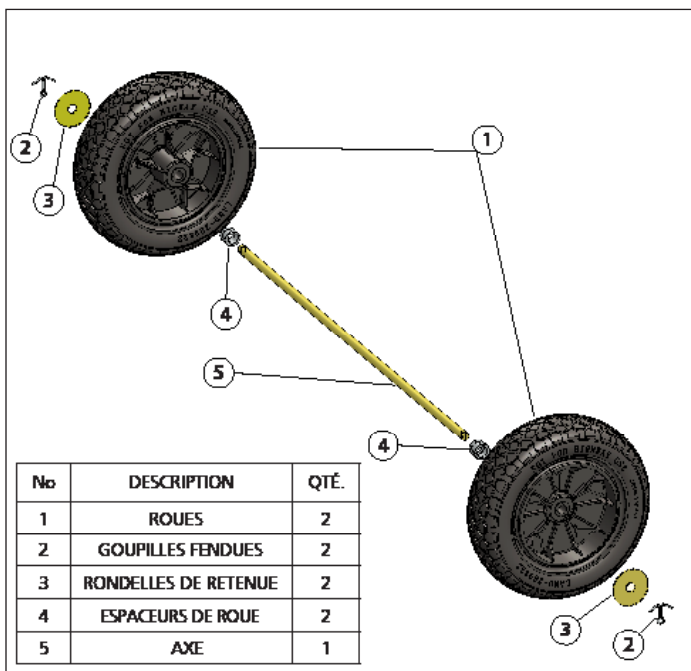
DÉBALLAGE (Outils requis : couteau polyvalents)

Enlevez la fournaise et tous les composants du contenant en carton. Inspectez à fond tout le matériel d'emballage pour des pièces qui ne sont pas des déchets. Ensuite, vérifiez l'unité pour des dommages possibles encourus lors du transport. Si vous en trouvez, contactez immédiatement le fabricant.

Assemblage

INSTALLATION DES ROUES ET DU PIED (Outils requis : pinces) La plupart des unités sont complètement assemblées. Par contre, si pour toute raison vous devez assembler ces composants, suivre ces instructions. À l'aide du carton dans lequel a été expédiée votre fournaise, placez votre fournaise sur un côté ou sur le dessus afin de pouvoir accéder à son bas. Premièrement, prenez l'axe et l'insérez dans l'une des roues fournies. Puis, à l'extérieur de la roue, placez la grande rondelle sur l'axe. Vous pouvez insérer l'une des goupilles fendues dans le trou à l'extrémité de l'axe et pliez par-dessus l'une (ou les deux) extrémités de la goupille afin qu'elle ne puisse être retirée. Puis, à l'intérieur de la roue, faites passer l'un des espaceurs sur l'autre extrémité de l'axe afin qu'elle soit appuyée contre l'arrière de la roue. Puis, glissez l'axe dans les trous le long du bord du bas de la fournaise. Puis, installez l'autre espaceur suivie par l'autre roue et rondelle. Vous pouvez alors insérer et plier l'autre goupille fendue. Finalement, vous pouvez mettre le cache-moyeu en caoutchouc sur l'extrémité de l'axe. Il est conçu pour s'appuyer contre la rondelle pour tenir le capuchon en place

FIGURE 1



une fois que vous êtes certain que les roues et l'axe sont installés sur votre fournaise dans l'ordre illustré à la Fig. 1.

INSTALLATION DE LA POIGNÉE

La plupart des unités sont complètement assemblées. Par contre, si pour toute raison vous devez assembler ces composants, suivre ces instructions. Premièrement, trouvez la poignée métallique en U emballée avec votre fournaise. (Ne s'applique pas au modèle no **HS115TC**. S'il s'agit de votre modèle, passez à la configuration du tuyau et du régulateur). Ensuite, trouvez les deux boulons de poignée inclus dans votre ensemble de quincaillerie. Puis, tout en regardant le côté de sortie de la fournaise, ouvrez le panneau d'accès opposé au côté du panneau de commande en retirant les vis le maintenant en place autour de son périmètre. Juste au-

dessus du bord supérieur de l'ouverture de la porte, vous devriez voir deux trous près du bord supérieur de la fournaise. Alignez les trous filetés dans la poignée jusqu'aux trous dans le couvercle de la fournaise. Puis, filetez les deux boulons fournis à travers le boîtier dans la poignée depuis l'intérieur du boîtier. À l'aide d'une clé à douilles, serrez les boulons. Faites attention de ne pas trop serrer.

Configuration du tuyau et du régulateur

CONFIGURATION POUR LE PROPANE

Premièrement, situez l'assemblage de tuyau et du régulateur inclus avec votre fournaise. Inspecter le tuyau pour des fissures, des bris ou tout dommage possible. Si vous en trouvez, contactez le fabricant pour une pièce de rechange. L'extrémité du régulateur est équipée d'un raccord POL standard conçu pour la plupart des cylindres de propane tirant les vapeurs à la verticale.

Remarque : Il s'agit d'un filetage inversé de la main gauche.

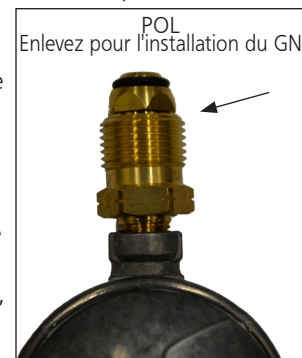
Ensuite, fixez le POL à un cylindre de dimensions adéquates pour votre application. C'est un raccord évasé et ce type de raccord ne nécessite aucun scellant supplémentaire ou ruban de filetage. Vérifiez tous les raccords pour une fuite possible à l'aide d'une solution d'eau savonneuse. Mélangez l'eau et une petite quantité de savon à vaisselle dans une bouteille à pulvériser, et appliquez la solution sur tous les raccords, prenant note de toute bulle se formant. Si vous en voyez, cela indique une fuite. Resserrez votre raccord jusqu'à ce que les bulles disparaissent. Pour les bonnes dimensions du cylindre, consultez le tableau des dimensions dans la section de dépannage de ce manuel. (page 10).

CONFIGURATION POUR LE GAZ NATUREL

Vous devez premièrement déterminer si un régulateur est requis. Lors de l'utilisation du GN, un régulateur est seulement requis lorsque la source de gaz possède une pression de sortie de 3,48 kPa (14 po de colonne d'eau) ou plus.

Premièrement, situez l'assemblage de tuyau et du régulateur inclus avec votre fournaise. Inspecter le tuyau pour des fissures, des bris ou tout dommage possible. Si vous en trouvez, contactez le fabricant pour une pièce de rechange. L'extrémité du régulateur est équipée d'un raccord POL standard conçu pour la plupart des cylindres de propane tirant les vapeurs à la verticale. Si vous utilisez votre unité avec du gaz naturel et que vous avez déterminé le régulateur requis, premièrement, vous devez enlever le raccord POL et le remplacer

avec un ou des connecteurs qui permettent une connexion à votre alimentation de gaz naturelle. Pour enlever le raccord POL, fixez le corps du régulateur dans un étau en prenant soin de ne pas l'endommager. Puis, à l'aide d'une clé à douilles, enlevez la tige et l'écrou du POL du régulateur. Puis, remplacez le POL avec les pièces appropriées pour effectuer votre raccord. Soyez sûr d'utiliser un



scellant ou du ruban à filetage approprié lorsque requis. Vérifiez tous les raccords pour une fuite possible à l'aide d'une solution d'eau savonneuse. Mélangez l'eau et une petite quantité de savon à vaisselle dans une bouteille à pulvériser, et appliquez la solution

sur tous les raccords, prenant note de toute bulle se formant. Si vous en voyez, cela indique une fuite. Resserrez votre raccord jusqu'à ce que les bulles disparaissent.

SÉLECTION DU COMBUSTIBLE ET DU TAUX

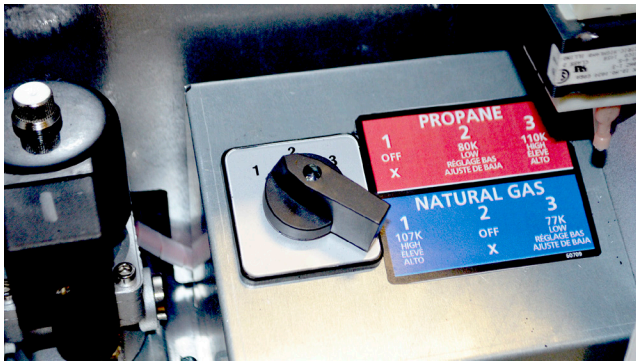
SÉLECTION DU COMBUSTIBLE

Lors de la configuration de votre fournaise Nomad, vous devez connaître le combustible à utiliser et déplacer le sélecteur Taux/Combustible aux bons paramètres avant l'utilisation. Pour le GPL, vous devez utiliser les paramètres et le taux Rouge. Pour le GN, vous devez utiliser les paramètres et le taux Bleu, voir la Fig. 5.

SÉLECTION DU TAUX

Votre fournaise Nomad est équipée d'une technologie à deux combustibles et à taux multiples. Lors de la configuration de la zone à chauffer, vous avez l'option d'utiliser la fournaise sur la configuration élevée ou basse. Afin de chauffer aussi rapidement que possible votre espace à la température désirée, configurez la fournaise sur son paramètre élevée (voir la Fig. 5). Une fois votre

FIGURE 5



espace chauffé à la température désirée, vous pouvez alors

régler votre configuration à la position basse pour conserver votre température désirée, donnant lieu en des économies dramatiques de la faible consommation de combustible lors de l'ensemble du projet de chauffage.

FONCTIONNEMENT (SANS THERMOSTAT)

Branchez votre unité à l'aide d'une rallonge à 3 lames correctement mises à la terre et de la bonne dimension. Fixez la petite longueur du cordon d'alimentation de la fournaise à votre rallonge. Une fois votre fournaise recevant l'alimentation électrique, le témoin vert s'allume au-dessus de l'interrupteur. Avant de mettre en marche votre fournaise, assurez-vous d'avoir sélectionné votre combustible et taux. Consulter la section Sélection du taux et combustible pour plus d'informations. Vous pouvez faire basculer votre interrupteur d'alimentation à la position ON (En marche). Après quelques secondes, la fournaise s'allume et vous devriez sentir l'air chaud qui commence à sortir de la fournaise. Avec cette configuration, la fournaise fonctionne de manière continue jusqu'à ce que l'opérateur bascule l'interrupteur à la position OFF (Arrêt). Si vous désirez que votre fournaise effectue un cycle de marche/arrêt selon la température de la pièce, vous devez utiliser le thermostat à distance fourni.

FONCTIONNEMENT (AVEC THERMOSTAT)

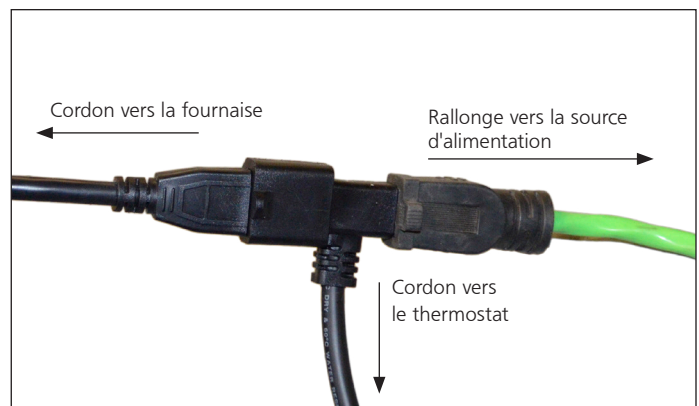
Pour utiliser votre fournaise Nomad avec un thermostat, vous devez placer ce dernier dans la pièce à chauffer et régler le cadran à la température la plus basse. Prenez l'extrémité de prise style « Piggy-Back » installée à l'usine sur le thermostat,

et fixez-la à la petite longueur de cordon électrique fixée à la fournaise (située près de l'interrupteur d'alimentation). L'extrémité de prise mâle de la fournaise va dans le réceptacle femelle sur l'extrémité de prise du thermostat. Ensuite, branchez votre rallonge à 3 lames correctement mise à la terre dans l'autre côté de la prise du thermostat. Vous pouvez mettre en marche votre fournaise et revenir à votre thermostat, puis régler la température désirée du cycle de marche/arrêt de votre fournaise. Une fois que la température dans la pièce descend sous le point réglé au thermostat, le témoin vert au-dessus de l'interrupteur s'allume et la séquence de chauffage commence. L'unité continue de fonctionner jusqu'à ce que le réglage du thermostat soit satisfait. Si votre fournaise s'arrête pour toute raison autre qu'un opérateur l'éteignant ou que le thermostat soit satisfait, consultez la partie de dépannage de ce manuel à la page 11.

THERMOSTAT INCLUS



CROCHET DU THERMOSTAT



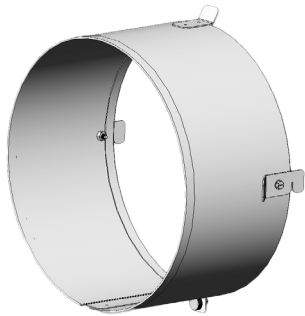
UTILISER LES ACCESSOIRES DE LA FOURNAISE NOMAD

La gamme Nomad de fournaies à air pulsé est conçue pour être utilisée comme un appareil de chauffage alimenté au gaz et autonome. Il est également conçu et certifié pour être utilisé avec une foule d'accessoires utiles. Pour de l'information sur tout accessoire supplémentaire disponible pour votre modèle, veuillez consulter la liste des accessoires dans ce livret ou visitez www.heatstarbyenerco.com.

UTILISATION DES FOURNAISES NOMAD AVEC UNE CONDUITE ET DES DIFFUSEURS

Lors de l'utilisation de cette fournaie pour chauffer une tente de fête ou un environnement de construction depuis l'extérieur, vous devez vous aider de quelques accessoires de diffusion.

Diffuseur direct et adaptateur de conduite



ADAPTATEUR DE LA CONDUITE

Un diffuseur direct permet à l'utilisateur de conduire la chaleur produite par la fournaie Nomad dans un espace nécessitant être chauffé sans devoir y placer la fournaie. Pour effectuer cela, vous avez besoin d'un adaptateur de conduite.

L'adaptateur de conduite se fixe à des points de raccord spéciaux sur la fournaie, de tels points concordent avec

les connecteurs sur l'adaptateur. Alignez les onglets sur l'adaptateur aux trous sur la fournaie et tournez dans le sens horaire pour les bloquer en place. Ensuite, vous avez besoin du morceau de transition de la conduite flexible. La transition de conduite est un court morceau de conduite revêtue de silicone spéciale qui se fixe à l'adaptateur au diffuseur d'extrémité. Avec l'adaptateur de conduite fixé à la fournaie, placez le morceau de conduite de transition sur l'extérieur de l'anneau de l'adaptateur et serrez la courroie. L'autre extrémité de la conduite est alors fixée au diffuseur. Voir la Fig. 6. Le diffuseur est un accessoire conçu pour aider à diriger l'air sortant de la fournaie. L'air sort du diffuseur et se répand dans plusieurs directions pour mieux remplir la pièce et chauffer plus uniformément. Le canal sur le haut du diffuseur est conçu pour placer le matériau d'une tente de fête ou d'événement. La fournaie peut être utilisée sans le diffuseur, mais il est recommandé de l'utiliser pour un chauffage plus efficace.

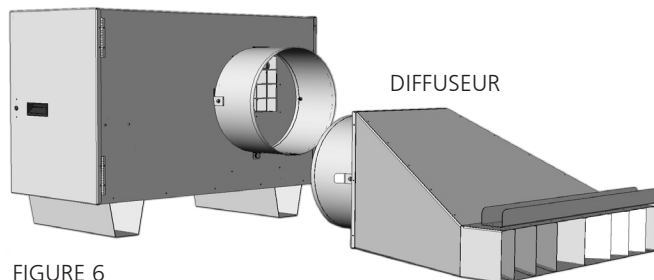


FIGURE 6

Conduite longue et diffuseur

Les fournaies Nomad sont également conçues pour être utilisées avec 3,0 m (10 pi) de conduite flexible lorsque la distance de la pièce à chauffer le nécessite. Pour utiliser cette configuration, vous aurez besoin d'un diffuseur

d'extrémité et de la conduite de 3,0 m (10 pi) spécialement conçue. Pour assembler, fixez l'une extrémité de la longueur de conduite de 3,0 m (10 pi) à l'adaptateur de conduite et l'autre extrémité au diffuseur d'extrémité. Puis, placez le diffuseur d'extrémité dans l'espace à chauffer.

CONVIENT AU HS115TC

CONDUITE DE TRANSITION 30,5 CM X 76,2 CM (12 PO X 30) F109107



ADAPTATEUR DE CONDUITE 30,5 CM (12 PO) F109106



CONVIENT AU HS190TC ET HS250TC

CONDUITE DE TRANSITION 40,6 CM X 76,2 CM (16 PO X 30) F109107



ADAPTATEUR DE CONDUITE 40,6 CM (16 PO) F109106



CONDUITE DE CHAUFFAGE FLEXIBLE REVÊTUE DE SILICONE 30,5 CM X 25,4 CM (12 PO X 10 PO)



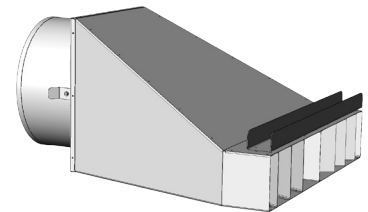
CONVIENT AU HS115TC

CONDUITE DE CHAUFFAGE FLEXIBLE REVÊTUE DE SILICONE 40,6 CM X 25,4 CM (16 PO X 10 PO)



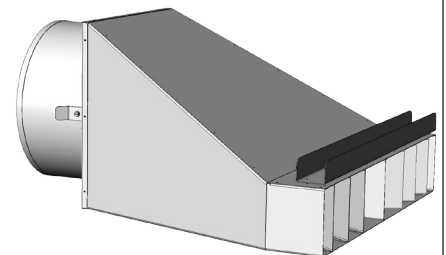
CONVIENT AU HS190TC ET HS250TC

DIFFUSEUR UNIVERSEL DE 30,5 CM (12 PO)



CONVIENT AU HS115TC

DIFFUSEUR UNIVERSEL DE 40,6 CM (16 PO)



CONVIENT AU HS190TC ET HS250TC

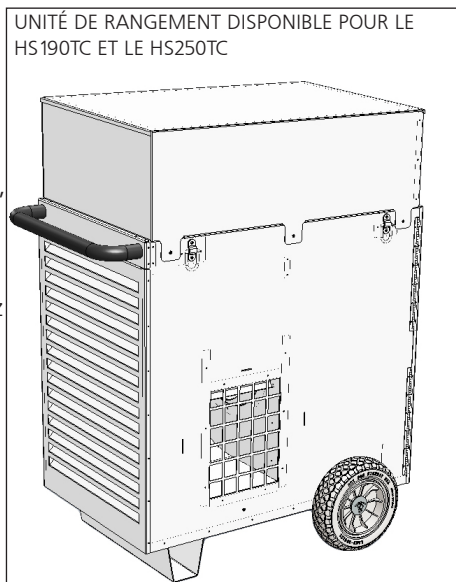
ARRÊT, STOCKAGE ET ENTRETIEN

Lorsque votre fournaise Nomad n'est plus requise, il y a quelques étapes à prendre pour s'assurer qu'elle est prête et en bon état de marche pour la prochaine utilisation.

ARRÊT

Lorsque la fournaise fonctionne, coupez l'alimentation en gaz vers la fournaise et laissez le combustible dans le système, le tuyau et le régulateur terminer de brûler. Cela ne prend que quelques secondes. Puis, au niveau de la fournaise, basculez l'interrupteur à la position du milieu ou **OFF** (Arrêt). Vous devez permettre à votre fournaise de complètement se refroidir avant de l'entreposer ou avant d'effectuer tout entretien. Une fois l'unité refroidie,

vérifiez que le gaz a été coupé. Puis, débranchez le tuyau et le régulateur de la source de combustible. Ensuite, débranchez le tuyau du raccord d'entrée sur la fournaise et enrroulez soigneusement l'assemblage du tuyau. Vous pouvez alors entreposer votre tuyau jusqu'à sa prochaine utilisation. Sur les unités Nomad HS190TC

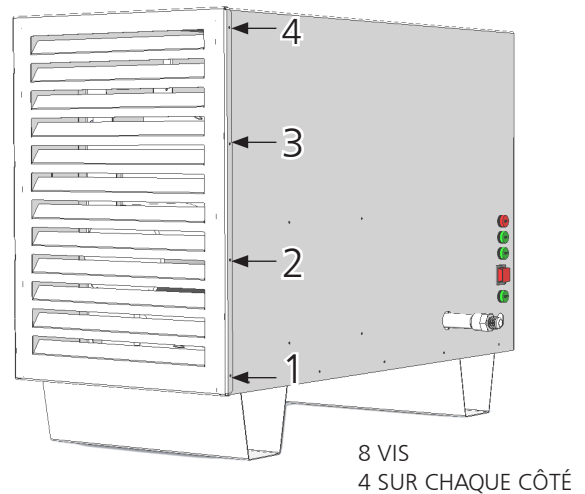


et HS260TC, vous pouvez utiliser la boîte de rangement optionnelle montée sur le haut pour entreposer votre tuyau de fournaise et votre régulateur avec tout autre accessoire ou outil requis pour la configuration et le démontage. Ensuite, débranchez l'unité, enrroulez le thermostat et retournez-le au stockage. Votre fournaise peut à présent être entreposée.

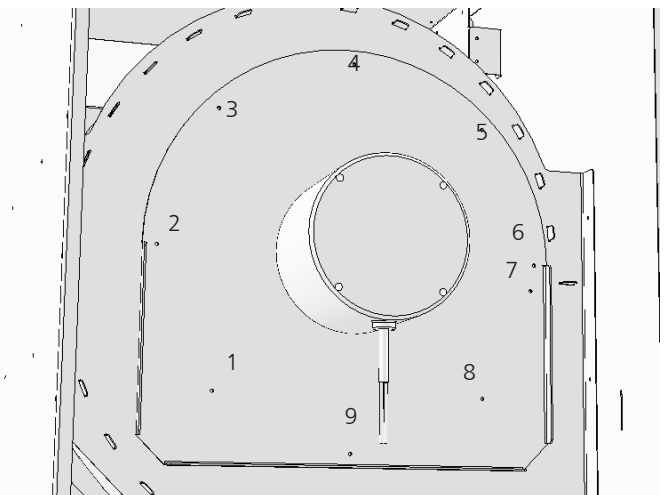
ENTREPOSAGE ET ENTRETIEN

Avant et après un entreposage prolongé ou si la fournaise a été utilisée dans des conditions poussiéreuses, vous devez bien la nettoyer. Avec la fournaise débranchée, utilisez de l'eau savonneuse et un chiffon doux pour nettoyer la poussière et la saleté de votre fournaise. Bien que votre fournaise Heater est certifiée pour utilisation à l'extérieur, et peut supporter des climats pluvieux, un nettoyage à l'eau ne doit pas être utilisé. Cela va forcer l'eau à entrer dans des composants où elle ne doit pas aller. Pour nettoyer l'intérieur, vous avez besoin d'un tournevis à tête plate pour ouvrir le panneau d'accès. **N'utilisez pas d'eau pour le nettoyage**, utilisez plutôt de l'air comprimé pour souffler la poussière et les débris présents à l'intérieur. Une fois l'unité de nouveau propre, fermez la porte et verrouillez le loquet avec le tournevis utilisé pour l'ouvrir. Vous pouvez à présent entreposer votre fournaise jusqu'à sa prochaine utilisation. Assurez-vous de prendre note de la section Quoi faire et quoi ne pas faire sur cette page. Au moins une fois l'an ou lorsque la fournaise a été utilisée dans un environnement poussiéreux, il est recommandé que la roue de la souffleuse soit complètement nettoyée. Commencez par enlever le couvercle

du panneau d'accès sur le côté souffleuse de la fournaise. Il y a 8 vis sur le HS115 et 14 vis sur les plus grands modèles HS190 et HS250 (4 et 7 vis respectivement sur chaque côté) tenant en place le panneau.



Une fois que vous avez accédé à la plaque de montage du moteur de la soufflerie, enlevez le moteur et la roue, puis utilisez de l'air comprimé pour nettoyer la roue. Si une méthode de nettoyage plus agressive est requise pour nettoyer la roue, vous pouvez l'enlever du moteur en desserrant les vis à pression. Des solvants d'eau et des nettoyants peuvent alors être utilisés pour terminer le nettoyage. Réinstallez la souffleuse dans les étapes inverses de son retrait.



NE PAS...

- Entreposer l'unité à l'extérieur.
- Perdre les composants expédiés avec votre fournaise.
- Entreposer votre fournaise dans une zone susceptible d'avoir des rongeurs. Ils peuvent endommager le câblage interne et le matériel de protection est un danger d'incendie. Ouvrez et inspectez toujours votre fournaise pour des signes d'insectes et de rongeurs avant de l'utiliser, spécialement après de longues durées de stockage.

ENTRETIEN ET RÉPARATION

Une situation dangereuse pourrait survenir si la fournaise utilisée a été modifiée ou ne fonctionne pas correctement.

Lorsque la fournaise fonctionne correctement :

- La flamme est contenue à l'intérieur de la fournaise.
- La flamme est essentiellement bleue et peut avoir quelques pointes jaunes.
- Il n'y a pas de forte odeur désagréable, aucun inconfort tels que les yeux qui brûlent ou autres.
- Il n'y a pas de fumée, de suie interne ou externe à la fournaise.
- Il n'y a aucun arrêt non planifié ou inexplicable de la fournaise.
- Les listes de pièces et la vue éclatée, illustre la fournaise telle qu'elle a été fabriquée. N'utilisez pas une fournaise qui est différente de celle illustrée. De même, utilisez uniquement le tuyau, le régulateur et le raccord pour la bonbonne (appelé raccord point de charge) fournis avec la fournaise.
- (3) des quatre lumières sur le côté de l'appareil de chauffage doit être allumé (chaleur, puissance, Fan Running) par la figure 2.

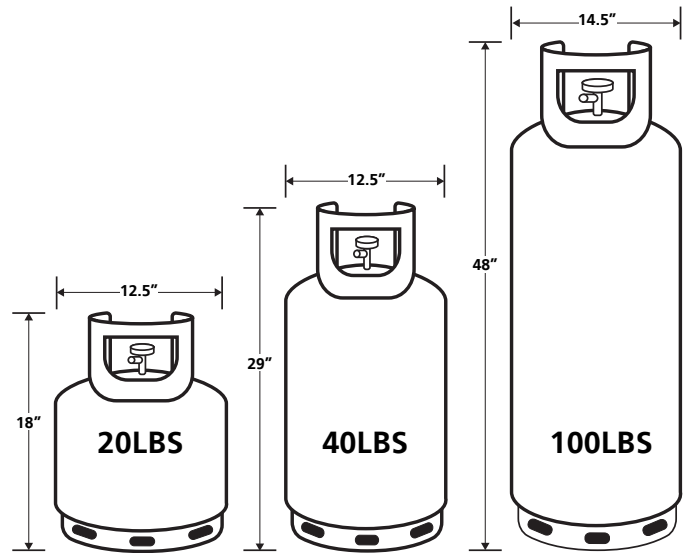
Pour cette fournaise, le régulateur doit être réglé tel qu'indiqué dans les « spécifications ». S'il y a un doute concernant le réglage du régulateur, faites-le vérifier. Une fournaise qui ne fonctionne pas correctement doit être réparée, mais uniquement par un technicien de service compétent et entraîné à le faire. L'appareil est équipé d'une garantie limitée de 1 an, pour une information complète de garantie s'il vous plaît lisez la page 20. S'il vous plaît inclure une brève déclaration indiquant la date, le lieu d'achat, la nature du problème et une preuve d'achat pour les demandes de garantie. Contactez le service-clientèle pour une liste des centres de réparation certifiée près de chez vous.

Figure 2



SÉLECTION DE LA GRANDEUR DU CYLINDRE AU PROPANE

Voici quelques points rapides de référence pour lorsque vous devez choisir des cylindres de propane pour vos applications. Il y a deux principaux points à considérer. Quelle est la température à l'extérieur? et Quelles sont les exigences en BTU de la fournaise utilisée? Bien que des cylindres de 9, 18 et 45 kg (20, 40 et 100 lb) sont les dimensions les plus communes, il existe plusieurs autres options possibles. Contactez votre fournisseur de propane pour plus de détails. Llame a su proveedor de propano por más detalles.



LB DE GPL DANS LE CYLINDRE	SORTIE CONTINUE MAXIMUM EN BTU À L'HEURE À DIVERSES TEMPÉRATURES		
	0 °F (-18 °C)	20 °F (-7 °C)	40 °F (4 °C)
200 (2 x 100)	226 000	334 000	428 000
100	113 000	167 000	214 000
80 (2 x 40)	94 000	137 000	180 000
40	55 000	79 000	105 000
20	36 000	51 000	69 000

EXEMPLE DE SÉLECTION DE CYLINDRE

SÉLECTION DU CYLINDRE AU PROPANE À -7 °C (20 °F)		
	RÉGLAGE ÉLEVÉ	RÉGLAGE BAS
HS115TC	110 833 BTU/H	80 612 BTU/H
	2 CYLINDRES DE 40 LB	1 CYLINDRE DE 20 LB
HS190TC	190 200 BTU/h	127 100 BTU/h
	2 CYLINDRES DE 100 LB	2 CYLINDRES DE 40 LB
HS250TC	248 625 BTU/h	181 119 BTU/h
	2 CYLINDRES DE 100 LB	2 CYLINDRES DE 100 LB

Symptôme	Dépannage
La souffleuse ne démarre pas	<ol style="list-style-type: none"> 1. Assurez-vous que l'interrupteur est soit à la position Marche ou Ventilation seulement. 2. Vérifiez que la rallonge utilisée n'est pas trop longue. 3. Vérifiez que la source d'alimentation est de 110 V. 4. Vérifiez que le réglage sur le thermostat est plus haut que la température dans l'espace à chauffer.
La souffleuse fonctionne mais le brûleur ne s'allume pas	<ol style="list-style-type: none"> 1. Assurez-vous que l'interrupteur est seulement à la position Marche et non à Ventilation seulement. 2. Vérifiez que le combustible relié à l'appareil est ouvert et qu'il coule. Cela peut prendre quelques cycles pour que l'air sorte des conduites. 3. Assurez-vous que l'interrupteur du taux et du combustible est à la position désirée pour le combustible utilisé, et que le réglage (haut ou bas) est celui désiré.
L'unité produit peu ou aucune chaleur.	<ol style="list-style-type: none"> 1. Assurez-vous que l'interrupteur est à la position Marche et non à Ventilation seulement. 2. Assurez-vous que l'interrupteur du taux et du combustible est à la position désirée pour le combustible utilisé, et que le réglage (haut ou bas) est celui désiré. 3. Vérifiez que la pression de combustible fourni à la fournaise est adéquate. Consultez le tableau des spécifications dans ce manuel pour les pressions requises. 4. Assurez-vous que le tuyau et régulateur fournis en usine sont utilisés.
La fournaise ne s'arrête pas	<ol style="list-style-type: none"> 1. Assurez-vous que l'interrupteur est à la position Arrêt et non à Ventilation seulement. 2. Vérifiez les paramètres de courant sur le thermostat. Est-il configuré à une température plus élevée que celle de la pièce à chauffer? 3. La fournaise va seulement s'allumer/s'arrêter lorsque le thermostat optionnel est installé.
L'appareil ne s'allume pas avec le thermostat installé	<ol style="list-style-type: none"> 1. Vérifiez que le thermostat est installé correctement. La fournaise va seulement s'allumer/s'arrêter lorsque le thermostat optionnel est installé. 2. Vérifiez que le réglage sur le thermostat est plus haut que la température dans l'espace à chauffer. 3. Assurez-vous que l'interrupteur d'alimentation est à la position ON (En marche). Le thermostat va seulement s'allumer/s'arrêter si l'interrupteur d'alimentation est à la position ON (En marche).
L'appareil ne s'arrête pas avec le thermostat installé.	<ol style="list-style-type: none"> 1. Vérifiez que le réglage sur le thermostat est plus bas que la température dans l'espace à chauffer. 2. Vérifiez que le thermostat est installé correctement, il peut être possible que l'appareil soit seulement à la position ON (En marche). 3. La fournaise peut être sous-dimensionnée pour l'espace à chauffer.
Le témoin d'erreur rouge HLS est allumé	<ol style="list-style-type: none"> 1. Vérifiez que le chemin de la chaleur n'est pas bloqué. 2. Vérifiez pour tout blocage dans la conduite au diffuseur d'extrémité 3. Vérifiez que les sélections de combustible et de taux sont précises. Si le mauvais combustible est choisi, l'appareil surchauffe.

POUR PLUS D'AIDE

Si après révision de la section dépannage dans ce manuel, vous avez toujours besoin d'aide, veuillez utiliser l'une des méthodes suivantes pour contacter notre service technique. Nous ferons absolument de notre mieux pour résoudre tout problème ou question se produisant. La plupart des problèmes peuvent être résolus en seulement quelques minutes.

LES HEURES SONT : Du lundi au vendredi entre 8 h et 17 h

TÉLÉPHONE : 866-447-2194

TÉLÉCOPIEUR : 800-321-0552

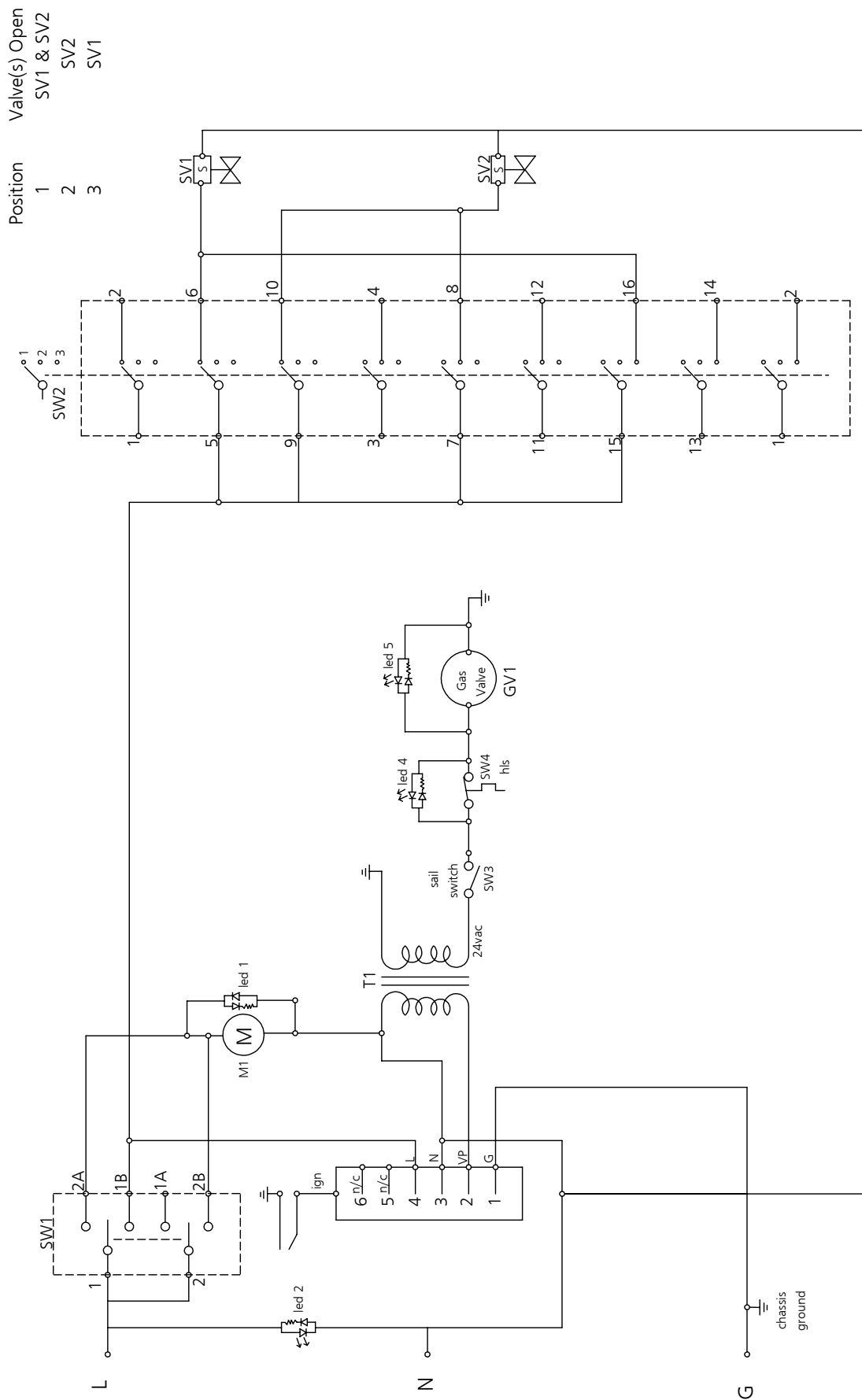
SITE WEB : HEATSTARBYENERCO.COM

DEMANDES SEULEMENT AU CANADA

VEUILLEZ APPELER : 877-477-3353

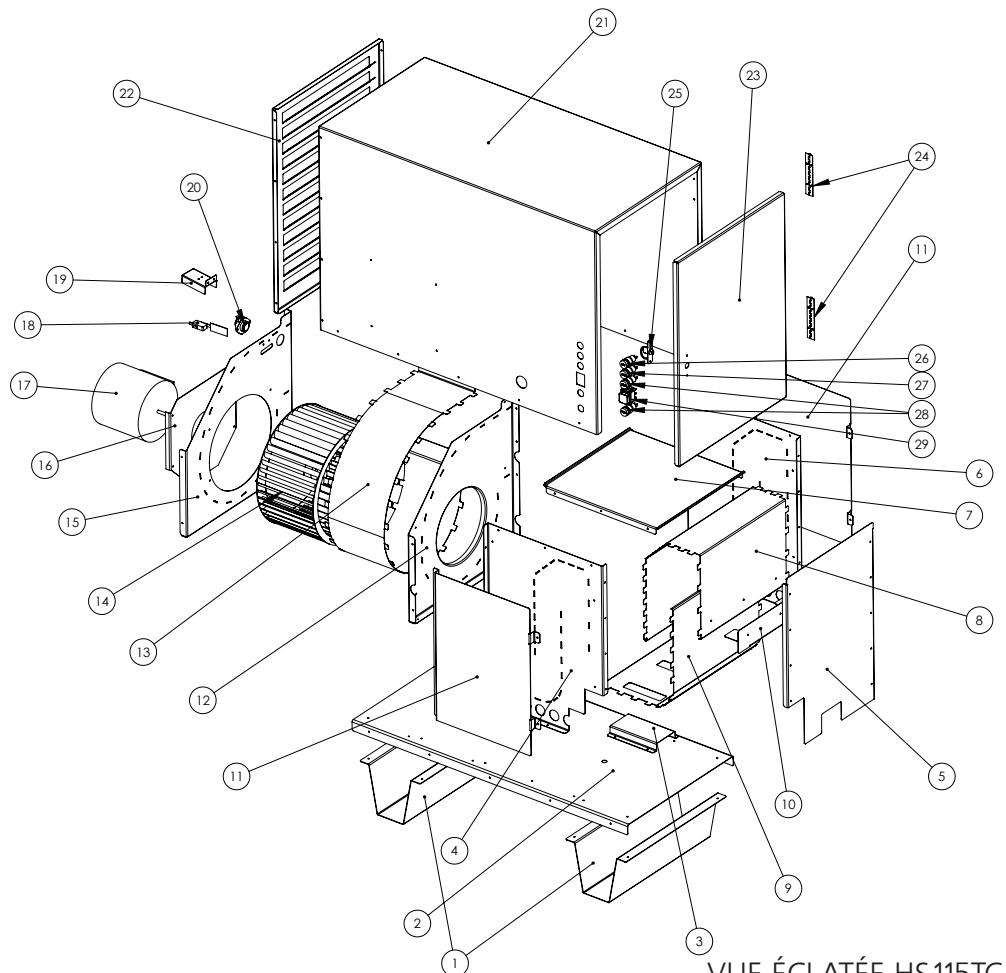
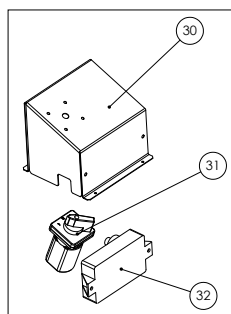
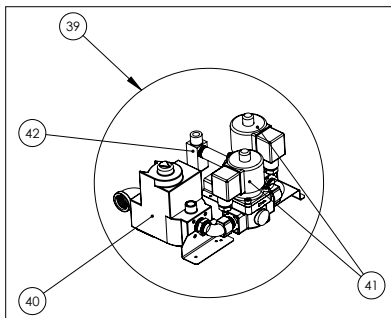
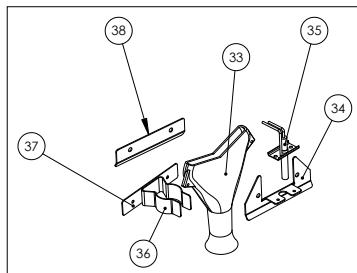
VISITEZ IPSPOWER.COM

SCHÉMA DE CÂBLAGE - TOUTES LES UNITÉS



Chassis wiring is stranded 18 AWG / 105 C / @ 600 Volts
 Igniter wiring is 16 AWG / 25KVDC / 10 KVAC
 (replace with same ratings)
 (all quick connects fully insulated)

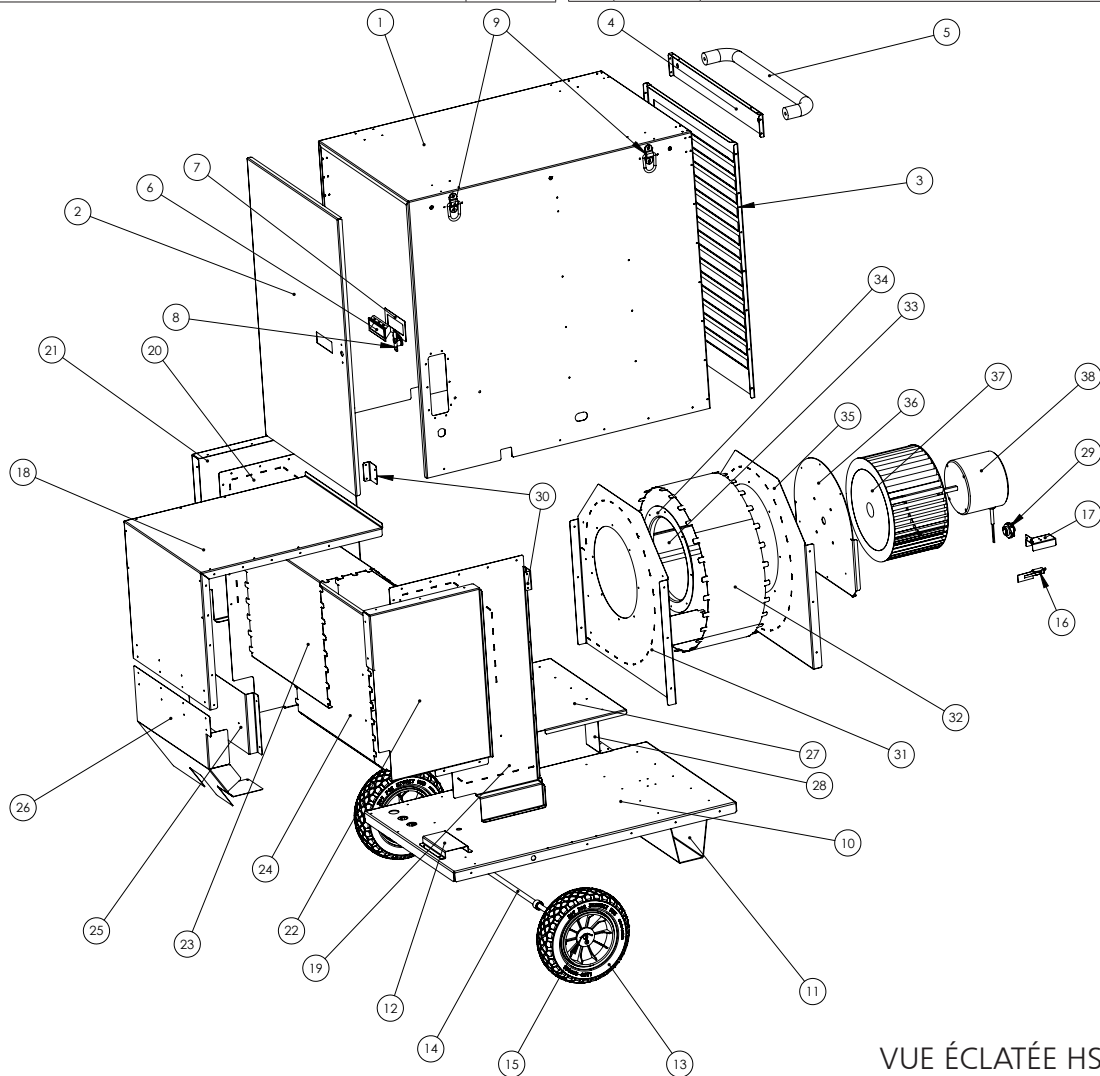
#	No	DESCRIPTION DE LA PIÈCE	QTÉ	#	No	DESCRIPTION DE LA PIÈCE	QTÉ
1	60801	PIED DE LA FOURNAISE	2	24	60837	CHARNIÈRE DE LA PORTE	1
2	60800	BASE DE LA FOURNAISE	1	25	60839	LOQUET/VERROU DE L'ANNEAU EN D	1
3	60802	SUPPORT DU SOLÉNOÏDE	1	26	60847	LAMPE À DEL ROUGE 24 V - INDICATEUR D'ERREUR	1
4	60818	CHAMBRE DE COMBUSTION - DROIT	1	27	60846	LAMPTE À DEL VERTE 24 V - INDICATEUR DU ROBINET DE GAZ OUVERT	1
5	60820	CHAMBRE DE COMBUSTION - ARRIÈRE	1	28	60845	LAMPE À DEL 120 V - VERT	2
6	60817	CHAMBRE DE COMBUSTION - GAUCHE	1	29	60841	INTERRUPTEUR BASCULANT DE L'ALIMENTATION PRINCIPALE	1
7	60819	CHAMBRE DE COMBUSTION - HAUT	1	30	60883	SUPPORT DU COMMUTATEUR DE SÉLECTION	1
8	60822	CHAMBRE DE COMBUSTION - REBORD SUPÉRIEUR	1	31	60842	COMMUTATEUR DE SÉLECTION	1
9	60821	CHAMBRE DE COMBUSTION - REBORD INFÉRIEUR	1	32	27808	PANNEAU DE COMMANDE DE LA FLAMME	1
10	60823	COUVERCLE DU BRÛLEUR INFÉRIEUR	1	33	60810	BRÛLEUR 115	1
11	60824	CHAMBRE DE COMBUSTION - BOUCLIER DE CHALEUR	2	34	60827	PLAQUE DU BRÛLEUR DE L'ALLUMEUR 115 - AVANT	1
12	60813	INTÉRIEUR DU PANNEAU DE LA SOUFFLEUSE	1	35	60729	ASSEMBLAGE DE L'ALLUMEUR/DÉTECTION DE LA FLAMME	1
13	60815	TUBE DE SOUFFLEUSE	1	36	60831	PINCE DU BRÛLEUR 115	1
14	60816	ROUE DE LA SOUFFLEUSE 115	1	37	60832	BASE DE LA PINCE DU BRÛLEUR 115	1
15	60812	EXTÉRIEUR DU PANNEAU DE LA SOUFFLEUSE	1	38	60826	PLAQUE DU BRÛLEUR DE L'ALLUMEUR 115 - ARRIÈRE	1
16	60814	PLAQUE DE MONTAGE DU MOTEUR	1	39	00600	ASSEMBLAGE DU TRAIN DE GAZ	1
17	60843	MOTEUR 115 - 1/3 HP	1	40	60129	SOUPAPE À GAZ	1
18	00613	INTERRUPTEUR À ABATTANT	1	41	60848	VALVE DU SOLÉNOÏDE	2
19	60938	SUPPORT DE L'INTERRUPTEUR À ABATTANT	1	42	60809	SUPPORT D'ORIFICE	1
20	60958	COMMUTATEUR DE LIMITE SUPÉRIEURE	1	**	60969	TUYAU DE GAZ, ASSY, NOMAD, 15', 1/2"MP - 1/2"FF	1
21	60833	COUVERCLE DE LA FOURNAISE	1	**	00617	RÉGULATEUR W/ POL	1
22	60835	PORTE DU MOTEUR	1	**	00618	THERMOSTAT ASSEMBLY W/ CORD	1
23	60834	PORTE DES COMMANDES	1				



VUE ÉCLATÉE HS115TC

REMARQUES :

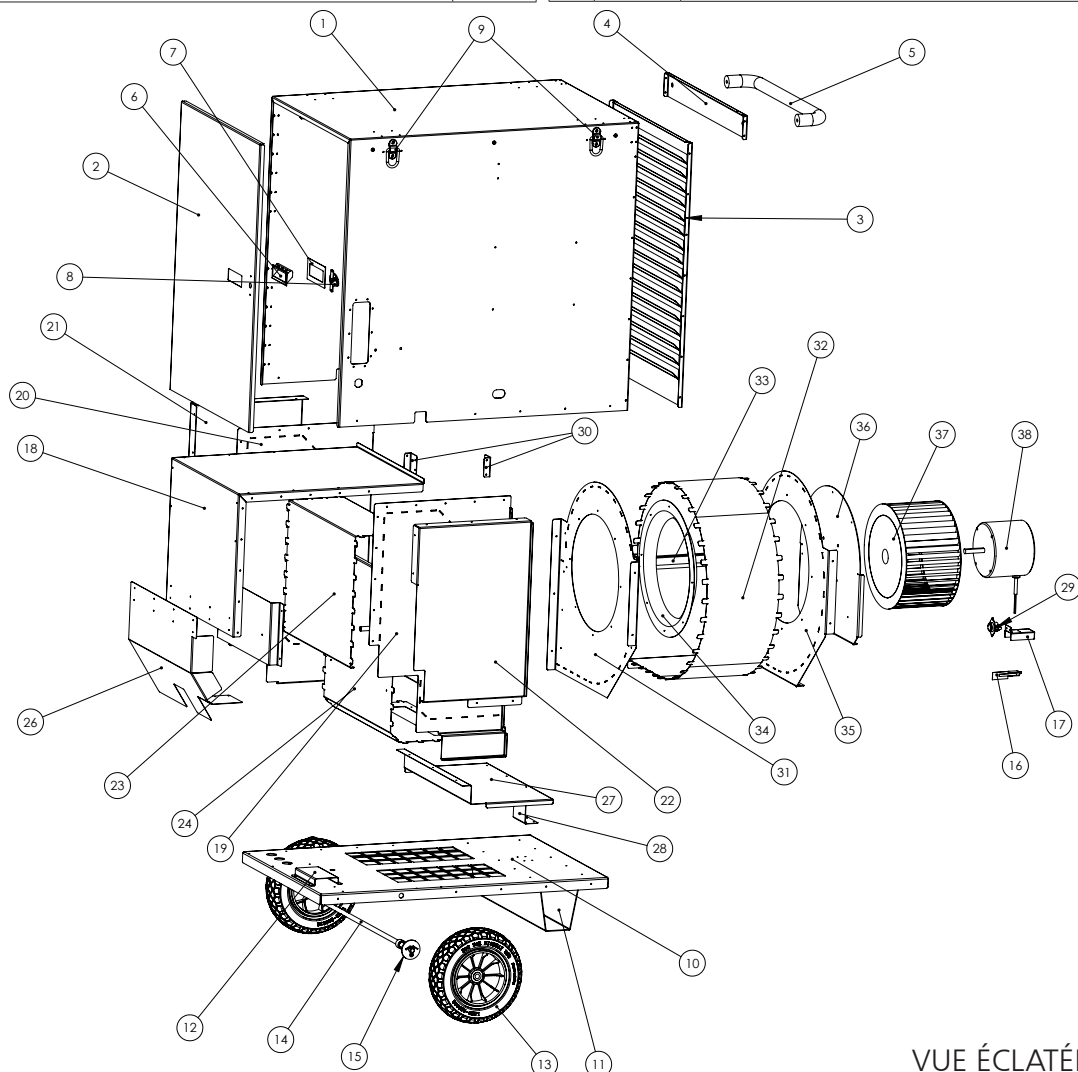
#	No	DESCRIPTION DE LA PIÈCE	QTÉ	#	No	DESCRIPTION DE LA PIÈCE	QTÉ
1	60973	COUVERCLE 190	1	22	90924	CHAMBRE DE COMBUSTION - BOUCLIER DE CHALEUR GAUCHE	1
2	60904	PORTE ÉLECTRIQUE	1	23	60892	CHAMBRE DE COMBUSTION - REBORD DU HAUT	1
3	60905	PORTE DU MOTEUR	1	24	60893	CHAMBRE DE COMBUSTION - REBORD DU BAS	1
4	60906	MONTAGE DE LA POIGNÉE DE PIÈCE FIXE	1	25	60925	SUPPORT DU BRÛLEUR - RETIRÉ	1
5	60908	POIGNÉE	1	26	60885	CHAMBRE DE COMBUSTION - BOUCLIER DE CHALEUR INFÉRIEUR	1
6	60916	POIGNÉE DE PORTE	1	27	60974	ÉTAGÈRE DE LA SOUFFLEUSE	1
7	60913	ESPACEUR DE LA POIGNÉE DE PORTE	1	28	60975	SUPPORT DE L'ÉTAGÈRE DE LA SOUFFLEUSE	1
8	60917	LOQUET DE PORTE	1	29	60899	COMMUTATEUR DE LIMITE SUPÉRIEURE	1
9	60915	ANNEAUX DU PALAN	4	30	60894	SUPPORT DE CHAMBRE DE COMBUSTION	2
10	60884	BASE	1	31	60977	CÔTÉ DROIT DE L'ENCEINTE	1
11	60901	PIED DE BASE	1	32	60978	TUBE DE SOUFFLEUSE	1
12	60802	SUPPORT DU SOLÉNOÏDE	1	33	60981	ACCESSOIRE DE DÉFLECTION DE L'ENCEINTE	1
13	40940	ROUE	2	34	60980	ADAPTATEUR D'ENTRÉE DE L'ENCEINTE	1
14	60902	AXE	1	35	60976	CÔTÉ GAUCHE DE L'ENCEINTE	1
15	28787	TROUSSE DE QUINCAILLERIE DE LA ROUE	1	36	60979	MONTURE DU MOTEUR	1
16	60851	INTERRUPTEUR À ABATTANT	1	37	60998	ROUE DE LA SOUFFLEUSE 190	1
17	60938	SUPPORT DE L'INTERRUPTEUR À ABATTANT	1	38	60971	1/2 HP MOTEUR 190	1
18	60922	CHAMBRE DE COMBUSTION - HAUT	1	**	60969	TUYAU DE GAZ, ASSY, NOMAD, 15', 1/2" MP - 1/2" FF	1
19	60891	CHAMBRE DE COMBUSTION - GAUCHE	1	**	00617	RÉGULATEUR W/ POL	1
20	60890	CHAMBRE DE COMBUSTION - DROIT	1	**	00618	THERMOSTAT ASSEMBLY W/ CORD	1
21	60923	CHAMBRE DE COMBUSTION - BOUCLIER DE CHALEUR DROIT	1				



VUE ÉCLATÉE HS190TC

REMARQUES :

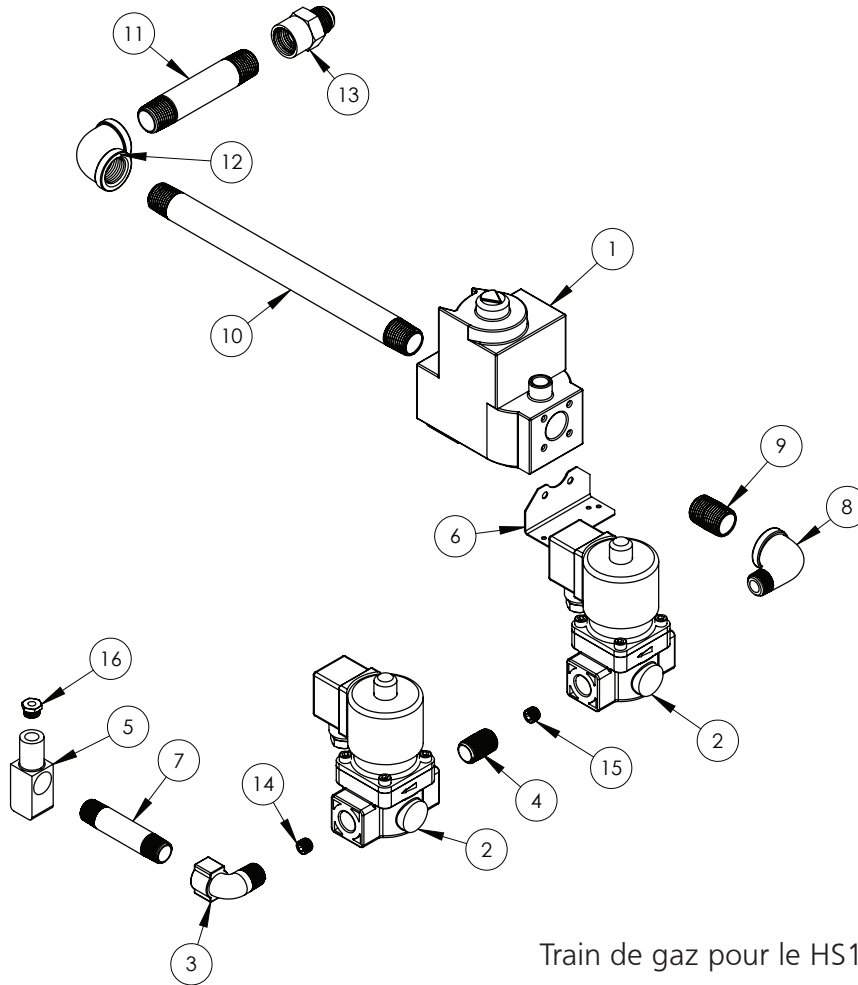
#	No	DESCRIPTION DE LA PIÈCE	QTÉ	#	No	DESCRIPTION DE LA PIÈCE	QTÉ
1	60903	COUVERCLE 250	1	22	60924	CHAMBRE DE COMBUSTION - BOUCLIER DE CHALEUR GAUCHE	1
2	60904	PORTE ÉLECTRIQUE	1	23	60920	CHAMBRE DE COMBUSTION - REBORD DU HAUT	1
3	60905	PORTE DU MOTEUR	1	24	60921	CHAMBRE DE COMBUSTION - REBORD DU BAS	1
4	60906	MONTAGE DE LA POIGNÉE DE PIÈCE FIXE	1	25	60925	SUPPORT DU BRÛLEUR - RETIRÉ	1
5	60908	POIGNÉE	1	26	60885	CHAMBRE DE COMBUSTION - BOUCLIER DE CHALEUR INFÉRIEUR	1
6	60916	POIGNÉE DE PORTE	1	27	60930	ÉTAGÈRE DE LA SOUFFLEUSE	1
7	60913	ESPACEUR DE LA POIGNÉE DE PORTE	1	28	60931	SUPPORT DE L'ÉTAGÈRE DE LA SOUFFLEUSE	1
8	60917	LOQUET DE PORTE	1	29		COMMUTATEUR DE LIMITE SUPÉRIEURE	1
9	60915	ANNEAUX DU PALAN	4	30	60894	SUPPORT DE CHAMBRE DE COMBUSTION	2
10	60900	BASE	1	31	60933	CÔTÉ DROIT DE L'ENCEINTE	1
11	60901	PIED DE BASE	1	32	60934	TUBE DE SOUFFLEUSE	1
12	60802	SUPPORT DU SOLÉNOÏDE	1	33	60937	ACCESSOIRE DE DÉFLECTION DE L'ENCEINTE	1
13	40940	ROUE	2	34	60936	ADAPTATEUR D'ENTRÉE DE L'ENCEINTE	1
14	60902	AXE	1	35	60932	CÔTÉ GAUCHE DE L'ENCEINTE	1
15	28787	TROUSSE DE QUINCAILLERIE DE LA ROUE	1	36	60935	MONTURE DU MOTEUR	1
16	00673	INTERRUPTEUR À ABATTANT	1	37	60940	ROUE DE LA SOUFFLEUSE 250	1
17	60938	SUPPORT DE L'INTERRUPTEUR À ABATTANT	1	38	60960	3/4 HP MOTEUR 190	1
18	60922	CHAMBRE DE COMBUSTION - HAUT	1	**	60969	TUYAU DE GAZ, ASSY, NOMAD, 15', 1/2"MP - 1/2"FF	1
19	60919	CHAMBRE DE COMBUSTION - GAUCHE	1	**	00617	RÉGULATEUR W/ POL	1
20	60918	CHAMBRE DE COMBUSTION - DROIT	1	**	00618	THERMOSTAT ASSEMBLY W/ CORD	1
21	60923	CHAMBRE DE COMBUSTION - BOUCLIER DE CHALEUR DROIT	1				



VUE ÉCLATÉE HS250TC

REMARQUES :

#	No	DESCRIPTION DE LA PIÈCE	QTÉ	#	No	DESCRIPTION DE LA PIÈCE	QTÉ
1	60129	SOUPAPE À GAZ HONEYWELL	1	11	02724	12,7 MM (1/2 PO) X 10,0 CM (4 PO) MAMELON DE TUYAU	1
2	60848	VALVE DU SOLÉNOÏDE	2	12	60957	12,7 MM (1/2 PO) X 12,7 MM (1/2 PO) COUDE	1
3	70597	9,5 MM (3/8 PO) FPT X 9,5 MM (3/8 PO) MPT - COUDE MÂLE ET FEMELLE	1	13	02744	12,7 MM (1/2 PO) ENTRÉE MÂLE	1
4	60804	9,5 MM (3/8 PO) MAMELON DE FERMETURE DE TUYAU	1	14-A	60881	ORIFICE DE CONTOURNEMENT 250 1	1
5	60948	SUPPORT D'ORIFICE	1	15-A	60882	ORIFICE DE CONTOURNEMENT 250 2	1
6	60949	SUPPORT DE LA SOUPAPE À GAZ	1	16-A	60880	ORIFICE PRINCIPAL 250	1
7	60805	9,5 MM (3/8 PO) X 7,5 CM (3 PO) MAMELON DE TUYAU	1	14-B	60878	ORIFICE DE CONTOURNEMENT 190 1	1
8	60955	12,7 MM (1/2 PO) FPT X 9,5 MM (3/8 PO) MPT - COUDE MÂLE ET FEMELLE	1	15-B	60879	ORIFICE DE CONTOURNEMENT 190 2	1
9	60954	12,7 MM (1/2 PO) MAMELON DE FERMETURE DE TUYAU	1	16-B	60887	ORIFICE DE CONTOURNEMENT 190 2	1
10	60956	12,7 MM (1/2 PO) X 25,4 CM (10 PO) MAMELON DE TUYAU	1				



Train de gaz pour le HS190TC et le HS250TC

AVERTISSEMENT :

N'UTILISEZ QUE LES PIÈCES DE REMPLACEMENT DU FABRICANT. L'UTILISATION D'AUTRES PIÈCES RISQUE DE CAUSER DES BLESSURES ET LA MORT. LES PIÈCES DE REMPLACEMENT NE SONT OFFERTES QUE PAR LE FABRICANT ET DOIVENT ÊTRE INSTALLÉES PAR UNE ENTREPRISE DE SERVICE SPÉCIALISÉE.

POUR LES DEMANDES D'ENTRETIEN OU DE PIÈCES

VEUILLEZ APPELER : 866-447-2194 OU 216-916-3000
SITE WEB : WWW.HEATSTARBYENERCO.COM

DEMANDES SEULEMENT AU CANADA

VEUILLEZ APPELER : 877-477-3353
VISITEZ IPSPOWER.COM

ADRESSE CORPORATIVE

HEATSTAR BY ENERCO
4560 WEST 160TH STREET
CLEVELAND, OHIO 44135 ÉTATS-UNIS

NOS HEURES DE BUREAU SONT DE 8 H À 17 H HNE,
DU LUNDI AU VENDREDI

LORSQUE VOUS NOUS CONTACTEZ :

VEUILLEZ AVOIR VOTRE NUMÉRO DE SÉRIE ET LE NUMÉRO DU MODÈLE DISPONIBLE. ILS SE TROUVENT TOUS LES DEUX SUR LA PLAQUE SIGNALÉTIQUE SITUÉE À L'INTÉRIEUR DU PANNEAU D'ACCÈS. CONSERVER CE MANUEL POUR RÉFÉRENCE FUTURE.

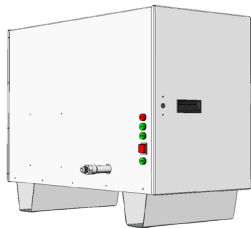
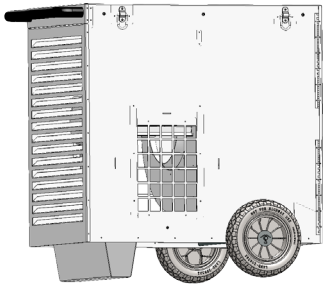


INSTRUCTIONS D'UTILISATION ET MANUEL DU PROPRIÉTAIRE

No de modèle

HS115TC
HS190TC
HS260TC

VEUILLEZ LIRE ATTENTIVEMENT LES INSTRUCTIONS : Lire et observer toutes les instructions. Conserver ces instructions dans un endroit sécuritaire pour vous y référer ultérieurement. Interdisez à quiconque n'ayant pas lu les présentes instructions d'assembler, d'allumer, de régler ou de faire fonctionner cette fournaise.



AVERTISSEMENT :

N'UTILISEZ QUE LES PIÈCES DE REMPLACEMENT DU FABRICANT. L'UTILISATION D'AUTRES PIÈCES RISQUE DE CAUSER DES BLESSURES ET LA MORT. LES PIÈCES DE REMPLACEMENT NE SONT OFFERTES QUE PAR LE FABRICANT ET DOIVENT ÊTRE INSTALLÉES PAR UNE ENTREPRISE DE SERVICE SPÉCIALISÉE.

INFORMATION SUR LA COMMANDE DES PIÈCES :

ACHAT : On peut se procurer des accessoires auprès de tous les détaillants locaux HEATSTAR ou directement de l'usine.

POUR OBTENIR DES INFORMATIONS SUR LE SERVICE

Veillez appeler la ligne sans frais 866-447-2194 • HEATSTARBYENERCO.COM

Nos heures de bureau sont de 08:00 à 17 h, fuseau horaire de l'est, du lundi au vendredi.

Veillez inclure le numéro du modèle, la date d'achat et la description du problème lors de toute communication.

GARANTIE LIMITÉE

L'entreprise garantie que ce produit est exempt d'imperfections dans le matériel ou la main-d'œuvre, sous une utilisation normale et adéquate selon les directives de l'entreprise, pour une période d'un an à partir de la date de livraison à l'acheteur. L'entreprise, à son option, réparera ou remplacera les produits retournés par l'acheteur à l'usine, le transport prépayé à l'intérieur de ladite période d'un an, et trouvés par l'entreprise comme ayant des imperfections dans le matériau ou la main-d'œuvre.

Si une pièce est endommagée ou manquante, appelez notre Service de soutien technique au 866 447-2194.

Envoyez toute demande suite à la garantie au Service d'entretien et réparations, HEAT STAR Group, Inc., 4560 W. 160th St., Cleveland, Ohio 44135, États-Unis Incluez votre nom, adresse et numéro de téléphone ainsi que les détails concernant la revendication. De plus, fournissez-nous la date d'achat et le nom et l'adresse du fournisseur de qui vous avez acheté notre produit.

Ce qui précède est la pleine étendue de la responsabilité de l'entreprise. Il n'existe aucune autre garantie, expresse ou implicite. Spécifiquement, il n'existe aucune garantie d'adaptabilité à une fin en particulier et aucune garantie de marchandabilité. En aucun cas l'entreprise doit être responsable des délais provoqués par les imperfections, des dommages de conséquence ou pour tout frais des dépenses de quelque nature encourues sans son consentement par écrit. Le coût de la réparation ou du remplacement doit être la solution exclusive pour tout bris de la garantie. Il n'existe aucune garantie contre le non-respect de celle-ci et aucune garantie implicite découlant du cours de la transaction ou de l'usage commercial. Cette garantie ne s'appliquera pas à tout produit qui a été réparé ou modifié hors de l'usine de quelque façon qui, selon nous, affecte sa condition ou son opération.

Certains États ou certaines provinces n'autorisent ni l'exclusion ni la restriction des dommages accessoires ou consécutifs, par conséquent, les restrictions ou exclusions précédentes peuvent ne pas s'appliquer à votre cas. La présente garantie vous donne des garanties juridiques particulières et vous pouvez également jouir d'autres droits qui varient d'une province ou d'un État à l'autre.

HEAT STAR Group, Inc. se réserve le droit de faire des changements à tout moment, sans préavis ni obligation, pour les couleurs, les spécifications, les accessoires, les matériaux et les modèles.

ENREGISTREMENT DU PRODUIT : Nous vous remercions de votre achat. Veillez vous connecter à HEATSTARBYENERCO.COM pour enregistrer votre produit.



Intertek

ANSI Z83.7b-2009/CSA 2.14b-2009

HEAT STAR, INC., 4560 W. 160TH ST., CLEVELAND, OHIO 44135 • 866-447-2194

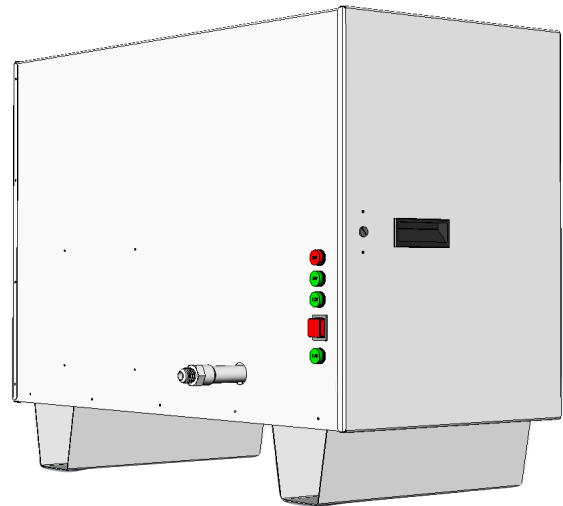
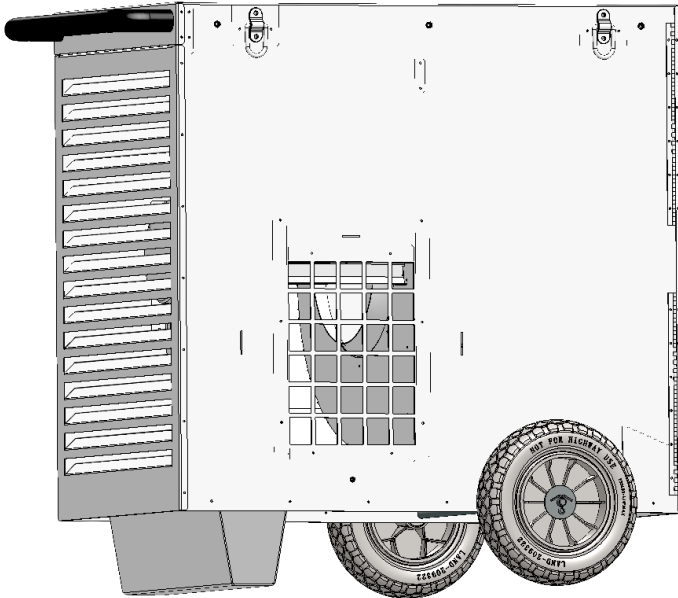


INSTRUCCIONES DE USO Y MANUAL DEL USUARIO

Modelo #

HS115TC
HS190TC
HS260TC

LEA CUIDADOSAMENTE LAS INSTRUCCIONES: Lea y siga todas las instrucciones. Conserve estas instrucciones en un lugar seguro para futura referencia. No permita que nadie que no haya leído estas instrucciones arme, encienda, ajuste o use el calefactor.



CALEFACTOR NÓMADE A AIRE FORZADO Y DOBLE ALIMENTACIÓN

IDIOMAS INCLUIDOS
•INGLÉS
•FRANÇÉS
•ESPAÑOL

ADVERTENCIA: Si no se siguen al pie de la letra las instrucciones de este manual, podría producirse un incendio o una explosión que provocaría daños materiales, lesiones o muertes.

- No almacene ni utilice gasolina ni ningún otro vapor ni líquido inflamable cerca de este ni de ningún otro artefacto.
- Los cilindros LP que no están conectados al calefactor no deben almacenarse cerca de este ni de ningún otro artefacto.
- QUÉ HACER SI DETECTA OLOR A GAS
 - No intente encender el artefacto.
 - Apague todas las llamas expuestas.
 - Corte el suministro de gas al artefacto.
- El mantenimiento debe realizarlo una agencia de servicios calificada.

Este calefactor portátil a gas no tiene una fuente propia de ventilación. Utiliza el aire (oxígeno) del área en la cual se emplea. Debe suministrarse el aire necesario para la ventilación y la combustión. Ver páginas 4 y 5.

⚠ ADVERTENCIA:

SU SEGURIDAD ES IMPORTANTE PARA USTED Y PARA LOS DEMÁS, ASÍ QUE POR FAVOR LEA ESTAS INSTRUCCIONES ANTES DE UTILIZAR EL CALEFACTOR.

⚠ ADVERTENCIA DE PELIGRO GENERAL:

EL NO CUMPLIR CON LAS PRECAUCIONES E INSTRUCCIONES QUE VIENEN CON ESTE CALEFACTOR PUEDE CAUSAR LA MUERTE, LESIONES GRAVES Y PÉRDIDAS Y DAÑOS MATERIALES DERIVADOS DEL PELIGRO DE INCENDIO, EXPLOSIÓN, QUEMADURAS, ASFIXIA, ENVENENAMIENTO CON MONÓXIDO DE CARBONO, Y/O DESCARGAS ELÉCTRICAS. SOLO LAS PERSONAS QUE ENTIENDAN Y PUEDAN SEGUIR LAS INSTRUCCIONES DEBEN USAR O MANTENER ESTE CALEFACTOR. SI NECESITA AYUDA O INFORMACIÓN ACERCA DEL CALEFACTOR, COMO UN MANUAL DE INSTRUCCIONES, ETIQUETAS, ETC., PÓNGASE EN CONTACTO CON EL FABRICANTE.

⚠ ADVERTENCIA:

NO APTO PARA USAR EN EL HOGAR NI EN CASAS RODANTES

⚠ ADVERTENCIA:

PELIGRO DE INCENDIO, QUEMADURAS, INHALACIÓN Y EXPLOSIÓN. MANTENGA LOS COMBUSTIBLES SÓLIDOS COMO MATERIALES DE CONSTRUCCIÓN, PAPEL O CARTÓN A UNA DISTANCIA SEGURA DEL CALEFACTOR TAL COMO LO RECOMIENDAN LAS INSTRUCCIONES. NUNCA USE EL CALEFACTOR EN ESPACIOS QUE CONTIENEN O PODRÍAN CONTENER COMBUSTIBLES VOLÁTILES O PRODUCTOS COMO GASOLINA, SOLVENTES, DILUYENTE DE PINTURA O PRODUCTOS QUÍMICOS DESCONOCIDOS.

EL ESTADO DE CALIFORNIA REQUIERE LAS SIGUIENTES ADVERTENCIAS:

ADVERTENCIA: Uno de los elementos generados por la combustión al usar este equipo es monóxido de carbono, un producto químico que de acuerdo con el Estado de California produce cáncer y defectos de nacimiento (u otros daños reproductivos).

ADVERTENCIA: Este producto contiene productos químicos que de acuerdo con el Estado de California producen cáncer y defectos de nacimiento u otros daños reproductivos.

ÍNDICE

ADVERTENCIAS..... 2

ESPECIFICACIONES 3

PRECAUCIONES DE UTILIZACIÓN 4

PRECAUCIONES DE SEGURIDAD..... 4

ADVERTENCIA DE DISIPACIÓN DEL OLOR..... 5

ARMADO Y PREPARACIÓN PARA EL USO..... 6

INFORMACIÓN ACERCA DE LA MANGUERA Y EL REGULADOR 6

SELECCIÓN DE COMBUSTIBLE Y DE CALOR 7

OPERACIÓN 7

USANDO LOS ACCESORIOS 8

APAGADO Y ALMACENAMIENTO 9

MANTENIMIENTO 9

SELECCIÓN DEL TAMAÑO DEL TANQUE DE PROPANO 10

DIAGNÓSTICO DE PROBLEMAS..... 11

DIAGRAMA DE CABLEADO 12

LISTA DE PARTES/DIAGRAMAS EXTENDIDOS 13

INFORMACIÓN DE LA GARANTÍA 20

Este calefactor NÓMADE de aire forzado y doble alimentación fue armado en los EE.UU. por:

Enerco Group Inc. 4560 West 160th Street
Cleveland, Ohio 44135

Por cualquier pregunta o consulta, póngase en contacto con nosotros:

TELÉFONO: 866-447-2194
FAX: 800-321-0552
VISITE: HEATSTARBYENERCO.COM.

Nuestro horario es:
Lunes a viernes de 8:00 a 17:00



ESPECIFICACIONES

MODELO (# de stock)	HS115TC (F109100)	HS190TC (F109110)	HS250TC (F109120)
BTU/kW PROPANO DE ENTRADA			
ALTO LP (kW)	110.833 BTU/H (32 kW)	190.200 BTU/H (56 kW)	248.625 BTU/H (73 kW)
BAJO LP (kW)	80.612 BTU/H (24 kW)	127.100 BTU/H (37 kW)	181.119 BTU/H (53 kW)
ALTO NG (kW)	107.586 BTU/H (32 kW)	183.600 BTU/H (54 kW)	248.625 BTU/H (73 kW)
BAJO NG (kW)	77.124 BTU/H (23 kW)	128.700 BTU/H (38 kW)	172.252 BTU/H (50 kW)
PRESIÓN DE GAS DE FUNCIONAMIENTO (C.A./kPa)			
ENTRADA MÁX. LP	PRESIÓN DEL TANQUE	PRESIÓN DEL TANQUE	PRESIÓN DEL TANQUE
ENTRADA MÁX. NG (kPa)	14" W.C. (3,49 kPa)	14" W.C. (3,49 kPa)	14" W.C. (3,49 kPa)
ENTRADA MÍN. LP (kPa)	15 PSI (103,4 kPa)	15 PSI (103,4 kPa)	15 PSI (103,4 kPa)
ENTRADA MÍN. NG (kPa)	7" W.C. (1,74 kPa)	7" W.C. (1,74 kPa)	7" W.C. (1,74 kPa)
PRESIÓN DEL MÚLTIPLE	4" W.C. (0,99 kPa)	4" W.C. (0,99 kPa)	4" W.C. (0,99 kPa)
CONSUMO DE COMBUSTIBLE POR HORA			
LP-ALTO LBS (kg)	5,326 LBS/H (2,41 Kg)	8,8 LBS/H (3,99 Kg)	12,042 LBS/H (5,46 Kg)
LP-BAJO LBS (kg)	3,937 LBS/H (1,78 Kg)	6,253 LBS/H (2,83 Kg)	8,568 LB/H (3,88 Kg)
NG-ALTO MPC	0,110 MPC	0,185 MPC	0,240 MPC
NG-BAJO MPC	0,08 MPC	0,130 MPC	0,175 MPC
ESPECIFICACIONES ELÉCTRICAS			
ALIMENTACIÓN (VOLTIOS/Hz/FASES)	115 V - 60 HZ - 1 Ø	115 V - 60 HZ - 1 Ø	115 V - 60 HZ - 1 Ø
AMPERES CONTINUOS	3,5 A	5,5 A	8 A
MOTOR (HP)	1/3 HP	1/2 HP	3/4 HP
MOTOR (W)	220 W	500 W	800 W
MOTOR (RPM)	1100	1100	1035
DIMENSIONES/PESO DEL CALEFACTOR			
PESO	91 LBS (40,3 kg)	159 LBS (72 kg)	165 LBS (75 kg)
DIMENSIONES (LxAnxAI)	30" x 23,75" x 15"	35,75" x 34,75" x 20,25"	35,75" x 34,75" x 20,25"
PESO DE LA CAJA (LBS/kg)	102 LBS (46,3 kg)	176 LBS (79,8 kg)	182 LBS (83 kg)
TAMAÑO DE LA CAJA (LxAnxAI)	34,5" x 25,75" x 20"	39" x 36,75" x 24,25"	39" x 36,75" x 24,25"

DISTANCIA A COMBUSTIBLES

	ARRIBA	COSTADOS	ATRÁS	SALIDA
HS115TC	1'	1'	1'	6'
HS190TC	1'	1'	1'	6'
HS250TC	1'	1'	1'	6'

PRECAUCIONES DE UTILIZACIÓN

Este es un calefactor de propano o gas natural de caldeo directo a aire forzado. Está diseñado principalmente para el calentamiento de edificios en construcción, remodelación o reparación.

El propano es más pesado que el aire. Cuando el combustible escapa de una conexión o acople, desciende hacia el piso y se acumula allí con el aire circundante, formando una mezcla potencialmente explosiva. Obviamente, las fugas de combustible deben evitarse, así que debe establecer la conexión del suministro de combustible con mucho cuidado. Lea "Disipación del olor" y las advertencias sobre propano incluidas en este manual para obtener más información sobre la detección de fugas de gas. Realice una comprobación de fugas utilizando una solución de agua jabonosa siempre que establezca una nueva conexión o realice una reconexión, y siga todas las instrucciones de conexión incluidas en este documento. Además, solicite asesoramiento de su proveedor de propano o de gas natural acerca de la aplicación del calefactor y la instalación del suministro, y pídale que realice una revisión si tuviera alguna duda.

Este calefactor fue diseñado y certificado para ser utilizado como un calefactor para sitios de construcción de acuerdo con el estándar ANSI Z83.7/CSA 2.14. Consulte con la autoridad de seguridad anti-incendios si tiene alguna pregunta sobre sus aplicaciones. Hay otros estándares que rigen el uso de gases combustibles y productos que producen calor en aplicaciones específicas. Su autoridad local podrá aconsejarle al respecto.

De caldeo directo quiere decir que todos los productos de la combustión ingresan al espacio calentado. Aunque este calefactor funciona casi a un 100% de eficiencia de combustión, produce pequeñas cantidades de monóxido de carbono. El monóxido de carbono (CO) es tóxico. Podemos tolerar pequeñas cantidades, pero no grandes cantidades. El CO puede acumularse en el lugar que se calienta y si no se establecen las condiciones de ventilación adecuadas puede resultar mortal. Los síntomas de ventilación inadecuada son:

- dolor de cabeza
- mareos
- ardencia en los ojos y en la nariz
- náuseas
- boca reseca o dolor de garganta

Por lo tanto, asegúrese de seguir las recomendaciones sobre las condiciones de ventilación que se incluyen en estas instrucciones de uso.

Aire forzado significa que un soplador o ventilador impulsa el aire a través del calefactor. La combustión depende de este flujo de aire para realizarse correctamente, por lo tanto, el calefactor no debe modificarse, alterarse o utilizarse si se le han sustraído o le faltan partes. Asimismo, no se deben alterar ni modificar los sistemas de seguridad para utilizar el calefactor.

Cuando deba utilizarse el calefactor en presencia de otras personas, el usuario será responsable de poner a los presentes al corriente de las precauciones e instrucciones de seguridad, y de los posibles peligros.

PRECAUCIONES DE SEGURIDAD

1. Revise cuidadosamente si el calefactor presenta daños. NO opere un calefactor dañado.
2. **NO** modifique el calefactor ni opere un calefactor cuya configuración original haya sido modificada.
3. Use únicamente los tipos de combustible para los que fue certificado el calefactor.
4. Si usa propano, use únicamente una fuente de propano de RECUPERACIÓN DE VAPOR. Si tiene alguna pregunta sobre la recuperación de vapor, consulte a su proveedor de propano.
5. Monte los tanques de propano verticalmente (válvula hacia arriba). Asegúrelos para que no caigan ni sean arrojados al piso y protéjalos de daños.
6. Sitúe los envases de propano por lo menos a 2,13 m (7 pies) (EE.UU.) o a 3 m (10 pies) (Canadá) del calefactor y **no** apunte el escape hacia ellos.
7. **IMPORTANTE** Use únicamente la manguera y el regulador que vienen con el calefactor. Inspeccione siempre el conjunto de la manguera antes de utilizar el calefactor. Si la manguera estuviera excesivamente estropeada o desgastada, o si presentara cortaduras, reemplácela por una de los que se especifica en la lista de partes de este manual antes de utilizar el calefactor.
8. Para uso en interior o exterior con ventilación adecuada. Aperturas mínimas de 0,046 m (1/2 pie²) cerca del suelo y de 0,046 m (1/2 pie²) cerca del techo (vea también "Precauciones de utilización").
9. Si detectara olor a gas en algún momento, INTERRUMPA INMEDIATAMENTE la utilización del equipo hasta que haya sido detectada y corregida la fuente de gas. Lea "Disipación del olor" e información acerca del propano adjunta para obtener más información sobre la detección de fugas de propano y de gas natural.
10. Este calefactor está diseñado para soportar un clima razonable al exterior. Sin embargo, es mejor instalarlo de forma que no quede directamente expuesto al rocío, a la lluvia y/o a agua goteando.
11. Mantenga la separación mínima a materiales combustibles como papel, lonas, cubiertas plásticas de protección o cubiertas similares y asegúrelas para evitar que ondeen o se muevan por la acción del viento.
12. Dadas las elevadas temperaturas de la superficie y del escape, tanto los adultos como los niños deben mantener la distancia adecuada para evitar quemaduras o la ignición de su ropa.
13. Úselo únicamente sobre una superficie nivelada y estable.
14. Para usar únicamente con conductos del largo y de materiales aprobados.
15. Utilice únicamente la alimentación de corriente especificada. La conexión eléctrica y a tierra debe cumplir con los requisitos del Código Eléctrico Nacional - ANSI/NFPA 70 (EE.UU.) y del Código Eléctrico Canadiense CSA C22. 1, Primera parte (Canadá).
16. Utilice únicamente un cable de extensión (mínimo 1,83 m (6 pies) de longitud) o un receptáculo de tres patas correctamente conectado a tierra.
17. No mover, manipular ni ajustar mientras esté caliente o encendido.
18. Úselo únicamente de acuerdo con los códigos locales o, en la ausencia de códigos locales, de acuerdo con los Estándares ANSI/NFPA 58 y CSA B149.1 para almacenamiento y manipulación de gases licuados de petróleo del Código de instalación de propano y gas natural.

ADVERTENCIA DE DISIPACIÓN DEL OLOR

⚠ ADVERTENCIA - PELIGRO DE ASFIXIA

No utilice este calefactor para calentar locales habitados por personas.

- No lo utilice en áreas sin ventilación.
- No obstruya el flujo de aire necesario para la combustión y la ventilación.
- Deberá suministrar la ventilación adecuada para garantizar que el calefactor disponga del aire que necesita para la combustión.
- Consulte la sección de especificaciones del manual del calefactor, la placa del calefactor, o póngase en contacto con el fabricante para conocer los requerimientos de ventilación del calefactor.
- Si la ventilación no es la adecuada, la combustión no se llevará a cabo correctamente.
- Una combustión inadecuada puede producir envenenamiento con monóxido de carbono con graves daños para la salud, o causar la muerte. Los síntomas de envenenamiento con monóxido de carbono incluyen dolores de cabeza, mareos y dificultad al respirar.

OLOR A GAS COMBUSTIBLE

El gas LP y el gas natural contienen sustancias aromáticas artificiales añadidas específicamente para facilitar la detección de fugas de gas. Si se produjera una fuga de gas, usted debe poder oler el gas combustible. Dado que estos combustibles son más pesados que el aire, debe tratar de detectar el olor cerca del piso. ¡CUALQUIER OLOR A GAS SERÁ LA SEÑAL PARA TOMAR MEDIDAS INMEDIATAMENTE!

- No haga nada que pudiera inflamar el gas combustible. No active ningún interruptor eléctrico. No desconecte ninguna toma de corriente ni cables de extensión. No encienda fósforos ni ninguna otra fuente de llamas. No utilice su teléfono.
- Saque a todas las personas del edificio y aléjelos del área inmediatamente.
- Cierre todas las válvulas de suministro de combustible de los cilindros o del tanque del gas propano (LP), o la válvula principal de suministro de combustible que se encuentra en el metro contador si emplea gas natural.
- El gas propano (LP) es más pesado que el aire y puede asentarse en áreas bajas. Cuando sospeche que puede haber una fuga de propano, manténgase alejado de las áreas bajas.
- Utilice el teléfono de su vecino y llame a su proveedor de gas y a su departamento de bomberos. No vuelva a entrar al edificio ni se acerque al área.
- Manténgase alejado del edificio y del área hasta que los bomberos y su proveedor de gas hayan declarado que no hay peligro.
- **POR ÚLTIMO**, permita que la persona del servicio de gas y los bomberos revisen si hay fugas de gas. Haga que ventilen el edificio y el área antes de su regreso. Un agente de servicios calificado debe reparar cualquier fuga, revisar si hay otras fugas, y volver a encender el artefacto por usted.

DISIPACIÓN DEL OLOR – NO SE DETECTA NINGÚN OLOR

- Algunas personas tienen problemas de olfato. Algunos no pueden detectar el olor del químico artificial añadido al propano (LP) o al gas natural. Usted debe determinar si es capaz de reconocer la sustancia aromática que contienen estos gases combustibles.
- Aprenda a reconocer el olor del gas propano (LP) y del gas natural. Los distribuidores locales de propano (LP) le darán con gusto un panfleto con muestras de olores. Utilícelo para

familiarizarse con el olor del gas combustible.

- El hábito de fumar puede disminuir su sentido del olfato. Exponerse a un olor durante un período de tiempo puede afectar su sensibilidad a ese olor específico. Los olores presentes en instalaciones donde se crían animales pueden enmascarar el olor del gas combustible.
- **La sustancia aromática presente en el gas propano (LP) y en el gas natural es incolora y la intensidad de su olor puede desvanecerse en algunas circunstancias.**
- Si hay una fuga subterránea, el recorrido del gas a través del suelo filtrará esta sustancia aromática.
- El aroma del gas propano (LP) puede variar en intensidad a diferentes niveles. Dado que el gas propano (LP) es más pesado que el aire, el olor puede ser más intenso en los niveles más bajos.
- **Manténgase siempre alerta al más mínimo olor a gas.** Si continúa percibiendo el olor a gas, no importa cuán poco sea, proceda como si fuera una fuga seria. Tome medidas inmediatamente como se explicó anteriormente.

ATENCIÓN - PUNTOS IMPORTANTES A RECORDAR

- El gas propano (LP) tiene un olor característico. Aprenda a reconocer estos olores. (Vea las secciones Olor a gas combustible y Disipación del olor).
- Aunque usted no esté capacitado para dar mantenimiento y reparar el calefactor, SIEMPRE esté al tanto de los olores del gas propano (LP) y del gas natural.
- Si no ha recibido capacitación para reparar y dar mantenimiento a equipos que emplean gas propano (LP), no intente encender el calefactor, ni darle mantenimiento o repararlo, ni haga ningún ajuste al calefactor en el sistema de combustible de gas propano.
- Una prueba olfativa periódica en las proximidades del calefactor o en las conexiones del calefactor, por ejemplo, en la manguera, los acoples, etc., es una buena medida de seguridad en todo momento. Si huele la más mínima cantidad de gas, PÓNGASE EN CONTACTO CON SU PROVEEDOR DE GAS INMEDIATAMENTE. ¡NO ESPERE!

DESEMPACADO (Herramientas necesarias: cuchilla para cajas)

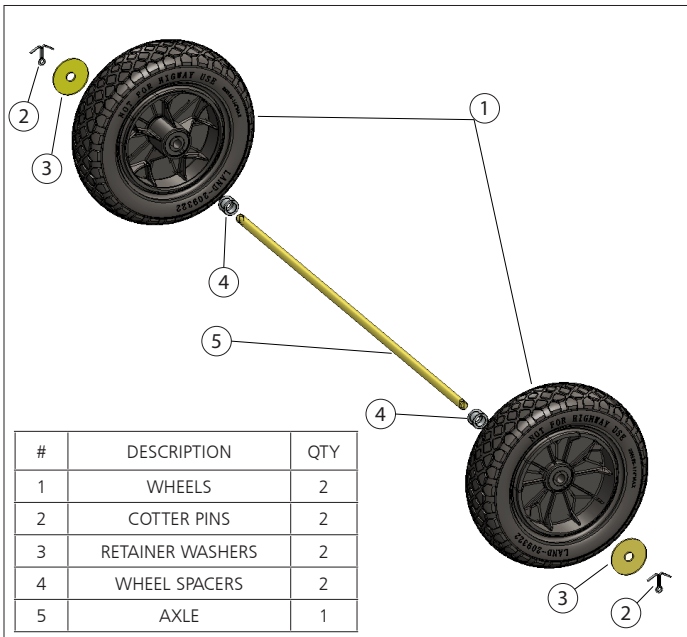
Remueva el calefactor y todos los componentes de la caja. Inspeccione minuciosamente todo el material de empaque para no desechar ninguna pieza. Luego revise la unidad para determinar si sufrió daños durante el envío. Si encontrara alguno, notifíquelo inmediatamente a la fábrica.

Armado

INSTALACIÓN DE LAS RUEDAS Y LA PATA

(Herramientas necesarias: pinzas) La mayoría de las unidades vienen completamente armadas. Sin embargo, si por alguna razón necesita armar estos componentes, siga estas instrucciones. Coloque el calefactor de costado o al revés, apoyado sobre el cartón de la caja en que vino embalado, para poder acceder a la parte de abajo del mismo. Primero, inserte el eje en una de las ruedas incluidas. Luego coloque la arandela grande sobre el eje, desde el lado de afuera de la rueda. Luego puede insertar una de las chavetas en el orificio del extremo del eje y doble una o ambas patas de la chaveta para que no se salga. Luego coloque uno de los espaciadores del lado interno de la rueda (desde el otro extremo del eje) para que quede contra el lado interno de la rueda. Luego deslice el eje por los orificios que están en el borde inferior del calefactor. Luego inserte el otro espaciador, la otra rueda y la arandela. Luego puede insertar y doblar la otra chaveta. Finalmente, puede presionar las tapas de goma en los extremos del eje. Están diseñadas para presionar contra la arandela para colocar la tapa en su lugar una vez

FIGURA 1



que tenga las ruedas y el eje instalados en su calefactor en el orden indicado en la figura 1.

INSTALACIÓN DEL MANGO

La mayoría de las unidades vienen completamente armadas. Sin embargo, si por alguna razón necesita armar estos componentes, siga estas instrucciones. Primero ubique el mango metálico con forma de "U" que viene con su calefactor. (No viene con el modelo # HS115TC. Si este es su modelo, siga con la instalación de la manguera y el regulador). Luego ubique los dos pernos del mango que vienen en su paquete de accesorios. Luego, mirando hacia el lado de salida del calefactor, abra el panel de acceso del lado opuesto al panel de control removiendo los tornillos que lo mantienen en su lugar por sus bordes. Por encima del borde superior de la apertura de la puerta, podrá ver dos

orificios cerca del borde superior del calefactor. Alinee los orificios roscados del mango con los orificios de la cubierta del calefactor. Luego instale los dos pernos roscados incluidos, a través de la cubierta y dentro del mango desde el interior de la cubierta. Ajuste los pernos con una llave. No los ajuste de más.

Instalación de la manguera y el regulador

INSTALACIÓN PARA PROPANO

Primero localice la manguera y el regulador que vienen con el calefactor. Revise que la manguera no esté rajada, rota ni dañada. Si encuentra cualquier daño, llame a la fábrica para que la reemplacen. El extremo del regulador viene equipado con una conexión POL estándar, diseñada para la mayoría de los tanques verticales de propano tipo recuperación de vapor.

Nota: Tiene una rosca "izquierda" o invertida. Luego conecte el POL a un tanque del tamaño adecuado para su aplicación. Este es un acople cónico y no necesita ningún sellador o cinta para roscas adicional. Verifique que no haya ninguna fuga en todas las conexiones con una mezcla de agua y jabón. Mezcle agua con una pequeña cantidad de detergente en un frasco rociador y coloque la solución en todas las conexiones, fijándose si aparecen pequeñas burbujas. Si aparecen burbujas, quiere decir que hay una fuga. Ajuste sus conexiones hasta eliminar las burbujas. Consulte la tabla de tamaños de tanque en la sección de Resolución de problemas de este manual para determinar el tamaño correcto (página 10).

INSTALACIÓN PARA GAS NATURAL

Primero debe determinar si necesitará usar el regulador. Con gas natural (NG), solamente necesitará un regulador cuando la fuente de gas tenga una presión superior a 14" de C.A. (3,48 kPa).

Primero localice la manguera y el regulador que vienen con el calefactor. Revise que la manguera no esté rajada, rota ni dañada. Si encuentra cualquier daño, llame a la fábrica para que la reemplacen. El extremo del regulador viene equipado con una conexión POL estándar, diseñada para la mayoría de los tanques verticales de propano tipo recuperación de vapor. Si está usando su unidad con gas natural y necesita usar un regulador, primero tendrá que remover el acople POL y reemplazarlo por un conector/conectores que permitan la conexión a su fuente de gas natural. Para remover el acople POL, sostenga el cuerpo del regulador en una prensa de banco teniendo cuidado en no dañarlo. Luego, use una llave para remover el vástago y la tuerca del POL del regulador. Luego reemplace el POL con las piezas adecuadas para hacer su conexión. Asegúrese de usar un sellador adecuado o cinta para roscas cuando sea necesario. Verifique que no haya ninguna fuga en todas las conexiones con una mezcla de agua y jabón. Mezcle agua con una pequeña cantidad de detergente en un frasco rociador y coloque la solución en todas las conexiones, fijándose si aparecen pequeñas burbujas. Si aparecen burbujas, quiere decir que hay una fuga. Ajuste sus conexiones hasta eliminar las burbujas.



SELECCIÓN DE COMBUSTIBLE Y CALOR

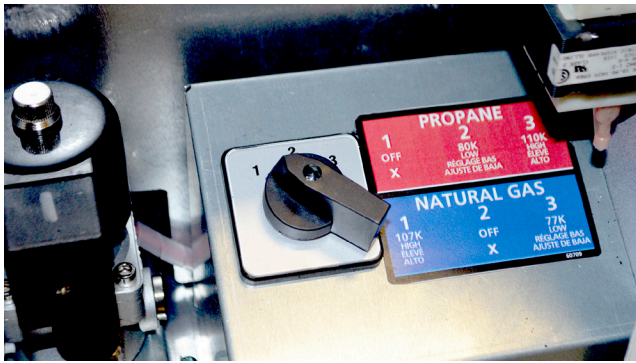
SELECCIÓN DE COMBUSTIBLE

Al preparar su calefactor Nómade deberá saber qué tipo de combustible utilizará y tendrá que mover la llave selectora de Calor/Combustible a la posición correcta antes de usarlo. Para LP utilizará la parte roja. Para NG utilizará la parte azul. Consulte la figura 5.

SELECCIÓN DE CALOR

Su calefactor Nómade viene equipado con tecnología de multi-calefacción y doble alimentación. Cuando prepara el área a calefaccionar usted tiene la opción de usar el calefactor en modo de calor alto o bajo. Para poder calefaccionar su espacio a la temperatura deseada lo más rápido posible, ajuste el calor al máximo (consulte la figura 5). Una vez que el espacio se haya calentado a la temperatura deseada, puede cambiar el ajuste a Bajo para mantener la temperatura deseada y aprovechar la gran disminución de consumo de combustible durante todo el tiempo que usa el calefactor.

FIGURA 5



OPERACIÓN (SIN TERMOSTATO)

Enchufe su unidad usando un cable de extensión del tamaño correcto, de tres patas, con conexión a tierra. Enchufe el cable de alimentación corto del calefactor en su cable de extensión. Una vez que el calefactor tenga alimentación eléctrica, se encenderá la luz indicadora verde que está arriba del interruptor. Antes de encender su calefactor, asegúrese de seleccionar el nivel de calor y el tipo de combustible. Consulte la sección Selección de combustible y calor por mayor información. Ahora puede mover la llave de encendido a la posición ON. Luego de unos segundos, su calefactor se encenderá y debería sentir que sale aire caliente por la salida del calefactor. En esta configuración, el calefactor funcionará constantemente hasta que el usuario apague la llave de encendido. Si desea que su calefactor se encienda y se apague en base a la temperatura del ambiente, tendrá que usar el termostato remoto incluido.

OPERACIÓN (CON TERMOSTATO)

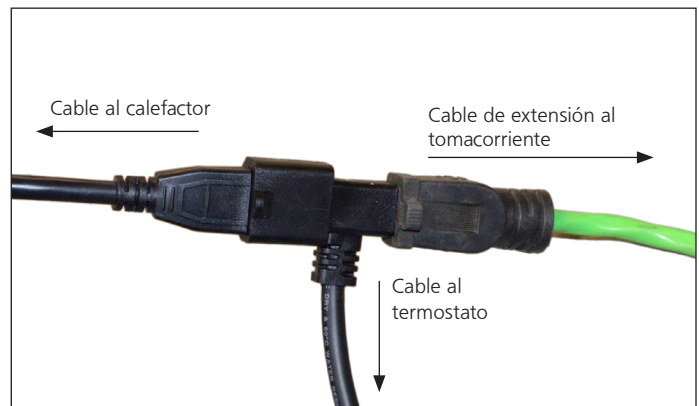
Para operar su calefactor Nómade con un termostato, tendrá que colocar el termostato en el ambiente a calefaccionar y mover la perilla hasta la temperatura más baja. Tome el enchufe "pasante" que viene instalado de fábrica en el termostato y conéctelo al cable de alimentación corto del calefactor (ubicado cerca de la llave de encendido). El enchufe macho del calefactor se acopla al enchufe hembra del termostato. Luego, conecte su cable de extensión de tres patas, con conexión a tierra, en el otro lado del enchufe del termostato. Ahora puede encender su calefactor y volver a donde está ubicado el termostato y ajustar la temperatura a la que quiere que se encienda y se apague el calefactor. Cuando la temperatura del ambiente a calefaccionar

desciende por debajo del ajuste del termostato, se encenderá la luz verde que está encima de la llave de encendido y comenzará la secuencia de calefacción. La unidad continuará funcionando hasta alcanzar la temperatura del termostato. Si el calefactor se apaga por cualquier motivo que no sea porque el usuario apagó la llave de encendido o porque alcanzó la temperatura del termostato, consulte la sección Solución de problemas de este manual en la página 11.

TERMOSTATO INCLUIDO



CONEXIÓN DEL TERMOSTATO



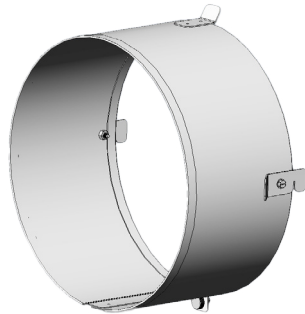
ACCESORIOS DEL CALEFACTOR NÓMADE

La línea Nómade de calefactores a aire forzado está diseñada para usarlos como calefactores a gas independientes. También está diseñado y certificado para usarlo con una colección de accesorios útiles. Por información acerca de cualquier accesorio adicional que pudiera estar disponible para su modelo, consulte la lista de accesorios de este folleto o visite www.heatstarbyenerco.com.

USO DEL CALEFACTOR NÓMADE CON CONDUCTOS Y DIFUSORES

Cuando use este calefactor para calefaccionar una carpa de fiestas o un lugar de construcción desde afuera del lugar tendrá que valerse de la ayuda de varios accesorios difusores.

Difusor directo y adaptador para conducto



ADAPTADOR DE CONDUCTO

Un difusor directo le permite que el usuario dirija el calor producido por el calefactor Nómade hacia un ambiente a calefaccionar sin la necesidad de tener el calefactor en ese lugar. Para hacer esto, necesitará un adaptador para conducto. El adaptador para conducto se fija a puntos especiales de conexión en el calefactor que se acoplan

a los conectores del adaptador. Alinee las pestañas del adaptador con los orificios del calefactor y gírelo en sentido horario para trabarlo en su lugar. Luego necesitará la pieza de conducto flexible de transición. El conducto de transición es una pieza corta de conducto especial siliconado que acopla el adaptador al difusor final. Con el adaptador de conducto colocado en el calefactor, coloque el conducto de transición sobre el exterior del anillo adaptador y ajuste la correa. El otro extremo del conducto se coloca en el difusor, como se ve en la figura 6. El difusor es un accesorio diseñado para dirigir el aire de salida del calefactor. El aire sale del difusor y se dispersa en varias direcciones para llenar mejor el ambiente y calentarlo de forma homogénea. El canal de la parte de arriba del difusor está diseñado para enganchar el material de una carpa para fiestas/eventos. El calefactor se puede usar sin el difusor, pero se recomienda para un uso más eficiente y efectivo.

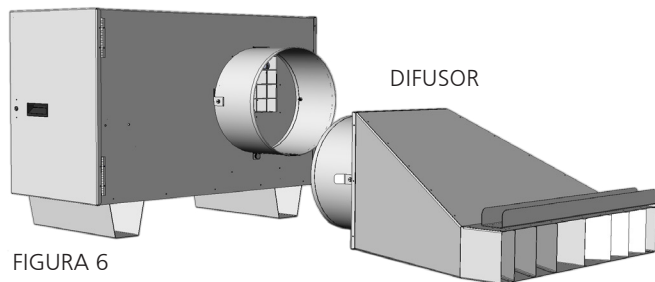


FIGURA 6

Conducto largo y difusor

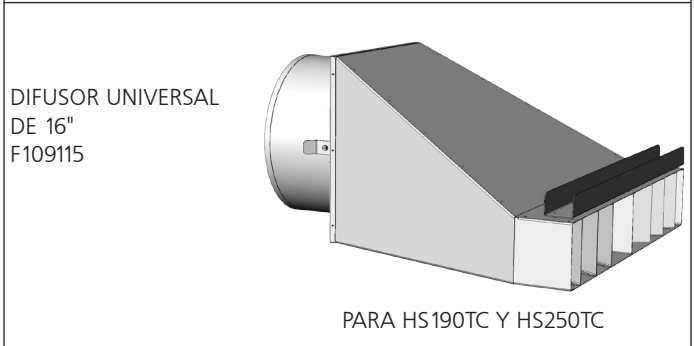
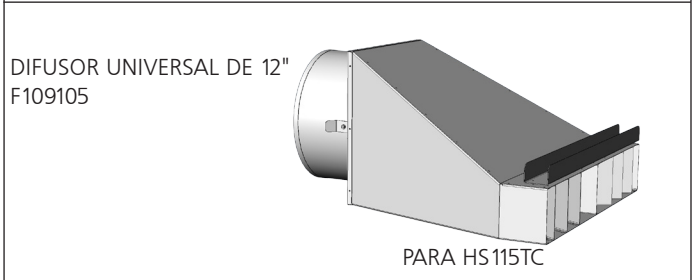
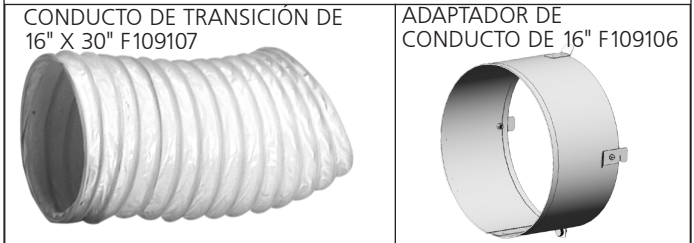
Los calefactores Nómade también están diseñados para usarlos con 10 pies de conducto flexible para cuando hace falta distanciarlos del área a calefaccionar. Para

usar esta configuración necesitará el difusor final y 10 pies de conducto especialmente diseñado. Para armarlo, fije un extremo del conducto de 10 pies al adaptador de conducto y el otro extremo al difusor final. Luego coloque el difusor final en el ambiente a calefaccionar.

PARA HS115TC



PARA HS190TC Y HS250TC



APAGADO, ALMACENAMIENTO Y MANTENIMIENTO

Existen varios pasos a seguir cuando no necesite usar más su calefactor Nómade, para asegurar que esté listo y en buenas condiciones de funcionamiento la próxima vez que lo necesite.

APAGADO

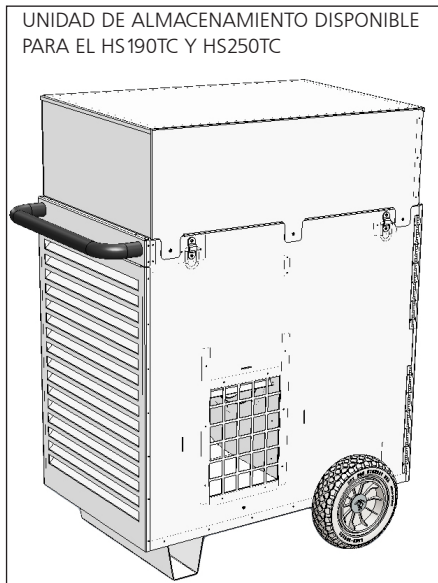
Con el calefactor funcionando, cierre la alimentación de gas al calefactor y permita que se quemé el combustible que haya quedado en el sistema, en la manguera y en el regulador. Esto llevará solamente unos segundos. Luego mueva la llave de encendido del calefactor a la posición **OFF**. Deje que el calefactor se enfríe por completo antes de guardarlo o antes de realizar cualquier reparación o mantenimiento.

Una vez que la unidad se haya enfriado, verifique que la llave de gas esté cerrada. Luego desconecte la manguera y el regulador de la fuente de combustible. Luego desconecte la manguera del acople de entrada del calefactor y enróllela prolijamente. Ahora puede guardar la manguera hasta que vuelva a

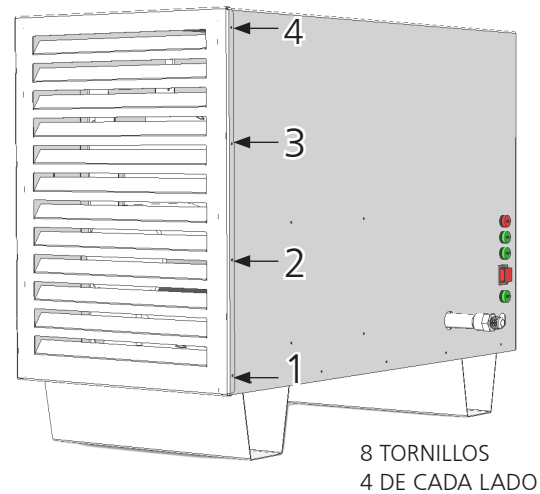
necesitarla. En las unidades Nómade HS190TC y HS260TC puede utilizar la caja de almacenamiento superior opcional para guardar la manguera y el regulador junto con cualquier otro accesorio o herramienta que necesite para la instalación y desinstalación. Luego desenchufe la unidad y enrosque el cable del termostato para volver a guardarlo. Ahora puede almacenar su calefactor.

ALMACENAMIENTO Y MANTENIMIENTO

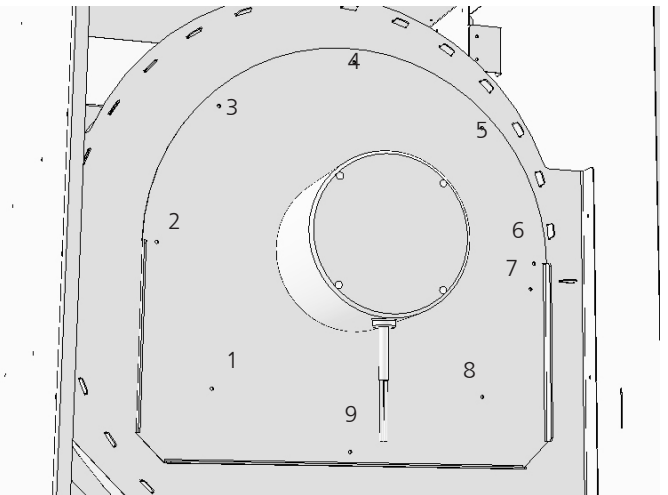
Antes y luego de almacenarlo por mucho tiempo, o si se usó el calefactor en un ambiente con mucho polvo, debería limpiarlo bien. Con el calefactor desenchufado, use agua, jabón y un trapo suave para limpiar toda la tierra y suciedad suelta. A pesar de que su calefactor Nómade está certificado para usarlo en el exterior y puede soportar clima húmedo, no debe utilizar agua. Esto podría hacer que el agua penetre en componentes en los que no debería. Para limpiar el interior, necesitará un destornillador plano estándar para abrir el panel de acceso. **No use agua para limpiar**, use aire comprimido para limpiar el polvo y los desechos del interior. Cuando la unidad esté limpia, cierre la puerta y fije la traba con el destornillador que usó para abrirla. Ahora puede almacenar su calefactor hasta que vuelva a necesitarlo. Consulte la sección de Hacer y No hacer de esta página con respecto al almacenamiento. Le recomendamos limpiar bien el ventilador por lo menos una vez por año o cuando el calefactor se haya usado en un ambiente con mucho polvo. Comience removiendo la tapa del panel de



acceso que está del lado del ventilador. Hay 8 tornillos en el HS115 y 14 tornillos en los modelos HS190 y HS250 más grandes (4 y 7 de cada lado respectivamente) sosteniendo el panel en su lugar.



Una vez que pueda acceder a la placa de montaje del motor del ventilador, remueva el motor y la rueda, y use aire comprimido para limpiar la rueda. Si requiere un método de limpieza más agresivo para limpiar la rueda, puede remover la rueda del motor aflojando el tornillo de fijación. Luego puede usar agua, solventes y limpiadores para completar la limpieza. Vuelva a instalar el ventilador en secuencia inversa.



NO HACER...

- No guarde la unidad en el exterior.
- No pierda los componentes que vienen con su calefactor.
- No guarde el calefactor en un lugar propenso a los roedores. Pueden dañar el cableado interno y el material de sus nidos puede causar un incendio. Siempre abra e inspeccione su calefactor para verificar que no tenga insectos ni roedores antes de usarlo, especialmente luego de almacenamientos prolongados.

SERVICIO Y REPARACIÓN

Se puede producir una situación de riesgo si se utiliza un calentador cuya configuración original haya sido modificada o si no está funcionando correctamente.

Cuando el calentador funciona correctamente:

- La llama arde en el interior del calefactor.
- La llama es fundamentalmente azul y puede tener algunas puntas amarillas.
- No se percibe un olor desagradable fuerte, no arden los ojos y no hay ningún otro tipo de incomodidad física.
- No hay humo ni hollín dentro ni fuera del calefactor.
- El calefactor no se apaga inesperadamente o inexplicablemente.
- Las listas de partes y el diagrama de cableado muestran la configuración original del calefactor. No utilice un calefactor que sea diferente del que se muestra. En este sentido, utilice únicamente la manguera, el regulador y el acople de conexión (denominado acople POL) suministrados con el calefactor.
- (3) de las cuatro luces en el lado del calentador debe estar encendida (calor, electricidad, ventilador funcionando) por la figura 2.

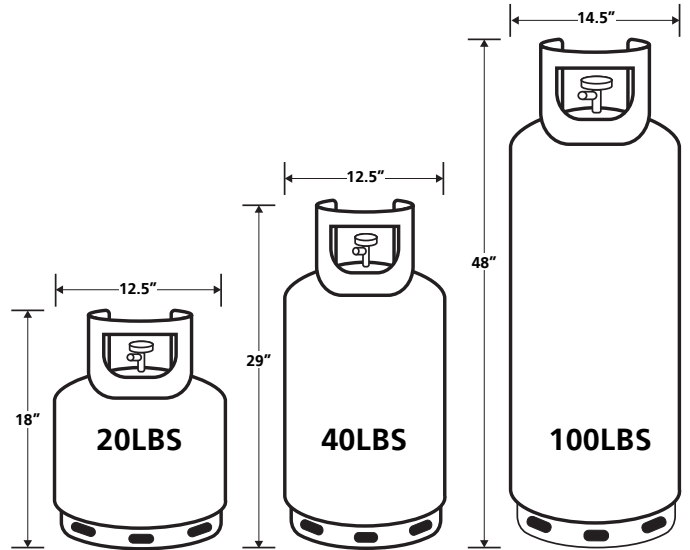
Para este calefactor, el regulador debe estar instalado como se muestra en las "Especificaciones". Si hay alguna duda acerca de la instalación del regulador, haga que lo revisen. Si un calefactor no funciona correctamente debe ser reparado, pero solo por un técnico de mantenimiento capacitado y experimentado. El calentador está equipado con una garantía limitada de 1 año, para obtener información completa sobre la garantía, lea la página 20. Por favor incluya una breve declaración indicando la fecha, lugar de compra, la naturaleza del problema y prueba de compra para consultas de garantía.. Llame a Servicio al cliente por una lista de los centros de reparación certificados cercanos a su domicilio.

Figura 2



SELECCIÓN DEL TAMAÑO DEL TANQUE DE PROPANO

A continuación tiene algunos puntos rápidos de referencia para poder seleccionar cilindros de propano para sus aplicaciones. Son dos los puntos más importantes a considerar. ¿Cuál es la temperatura exterior? y ¿Cuáles son los requisitos en BTU para el calefactor que utilizaré? Mientras que los tamaños de tanques más comunes son los de 20 lb, 40 lb y 100 lb, existen otras opciones disponibles. Llame a su proveedor de propano por más detalles.



LIBRAS DE LP EN EL CILINDRO	MÁXIMA SALIDA CONSTANTE EN BTU POR HORA A VARIAS TEMPERATURAS		
	0 °F (-18 °C)	20 °F (-7 °C)	40 °F (4 °C)
200 (2 x 100)	226.000	334.000	428.000
100	113.000	167.000	214.000
80 (2 x 40)	94.000	137.000	180.000
40	55.000	79.000	105.000
20	36.000	51.000	69.000

EJEMPLO DE SELECCIÓN DE TANQUE

SELECCIÓN DE TANQUE DE PROPANO A -7 °C (20 °F)		
	CALOR ALTO	CALOR BAJO
HS115TC	110.833 BTU/h	80.612 BTU/h
	2 TANQUES DE 40 LB	1 TANQUE DE 40 LB
HS190TC	190.200 BTU/h	127.100 BTU/h
	2 TANQUES DE 100LB	2 TANQUES DE 40LB
HS250TC	248.625 BTU/h	181.119 BTU/h
	2 TANQUES DE 100LB	2 TANQUES DE 100LB

Síntoma	Solución de problemas
El ventilador no enciende	<ol style="list-style-type: none"> 1. Verifique que el interruptor esté en la posición de encendido o de ventilador solamente. 2. Verifique que el cable de extensión que usa no sea demasiado largo. 3. Verifique que la alimentación sea de 110 V. 4. Verifique que el termostato esté ajustado a una temperatura mayor que la del ambiente a calefaccionar.
El ventilador funciona pero el quemador no se enciende.	<ol style="list-style-type: none"> 1. Verifique que el interruptor esté en la posición de encendido y no en la de ventilador solamente. 2. Verifique que el combustible conectado a la unidad esté abierto y que fluya. Puede llevar unos ciclos el purgar todo el aire de las líneas. 3. Verifique que la llave de combustible y calor esté en la posición deseada para el combustible que esté usando y el calor (alto o bajo) que desee.
La unidad produce muy poco o nada de calor.	<ol style="list-style-type: none"> 1. Verifique que el interruptor esté en la posición de encendido y no en la de ventilador solamente. 2. Verifique que la llave de combustible y calor esté en la posición deseada para el combustible que esté usando y el calor (alto o bajo) que desee. 3. Verifique que la presión de entrada de combustible del calefactor sea la adecuada. Consulte la tabla de especificaciones de este manual por las presiones necesarias. 4. Verifique que esté usando la manguera y el regulador que vienen con la unidad.
El calefactor no se apaga.	<ol style="list-style-type: none"> 1. Verifique que el interruptor esté en la posición de apagado y no en la de ventilador solamente. 2. Verifique el ajuste actual del termostato. ¿Está ajustado a una temperatura más alta que la del espacio a calefaccionar? 3. El calefactor solamente se encenderá y apagará cuando tenga instalado el termostato opcional.
La unidad no se enciende con el termostato instalado.	<ol style="list-style-type: none"> 1. Verifique que el termostato esté instalado correctamente. El calefactor solamente se encenderá y apagará cuando tenga instalado el termostato opcional. 2. Verifique que el termostato esté ajustado a una temperatura mayor que la del ambiente a calefaccionar. 3. Verifique que la llave de encendido esté en la posición "On". El calefactor encenderá y apagará la unidad únicamente con la llave de encendido en la posición ON.
La unidad no se apaga con el termostato instalado.	<ol style="list-style-type: none"> 1. Verifique que el termostato esté ajustado a una temperatura menor que la del ambiente a calefaccionar. 2. Verifique que el termostato esté instalado correctamente, la unidad puede simplemente estar en el ciclo de encendido. 3. El calefactor puede ser demasiado pequeño para el espacio a calefaccionar.
La luz roja de falla HLS está encendida.	<ol style="list-style-type: none"> 1. Verifique que el camino del calor no esté obstruido. 2. Verifique que el conducto y el difusor final no estén bloqueados. 3. Verifique que la selección de combustible y de calor sean las correctas. Si se selecciona el combustible incorrecto la unidad se sobrecalentará.

POR ASISTENCIA ADICIONAL

Si luego de revisar la sección de Resolución de problemas de este manual todavía necesita asistencia, use cualquiera de los métodos siguientes para ponerse en contacto con nuestro departamento de servicio técnico. Haremos todo lo posible para resolver cualquier problema que tenga. La mayoría de los problemas se pueden resolver en unos pocos minutos.

NUESTRO HORARIO ES: Lunes a viernes de 8:00 a 17:00

TELÉFONO: 866-447-2194

FAX: 800-321-0552

VISITE: HEATSTARBYENERCO.COM

PARA CANADÁ ÚNICAMENTE

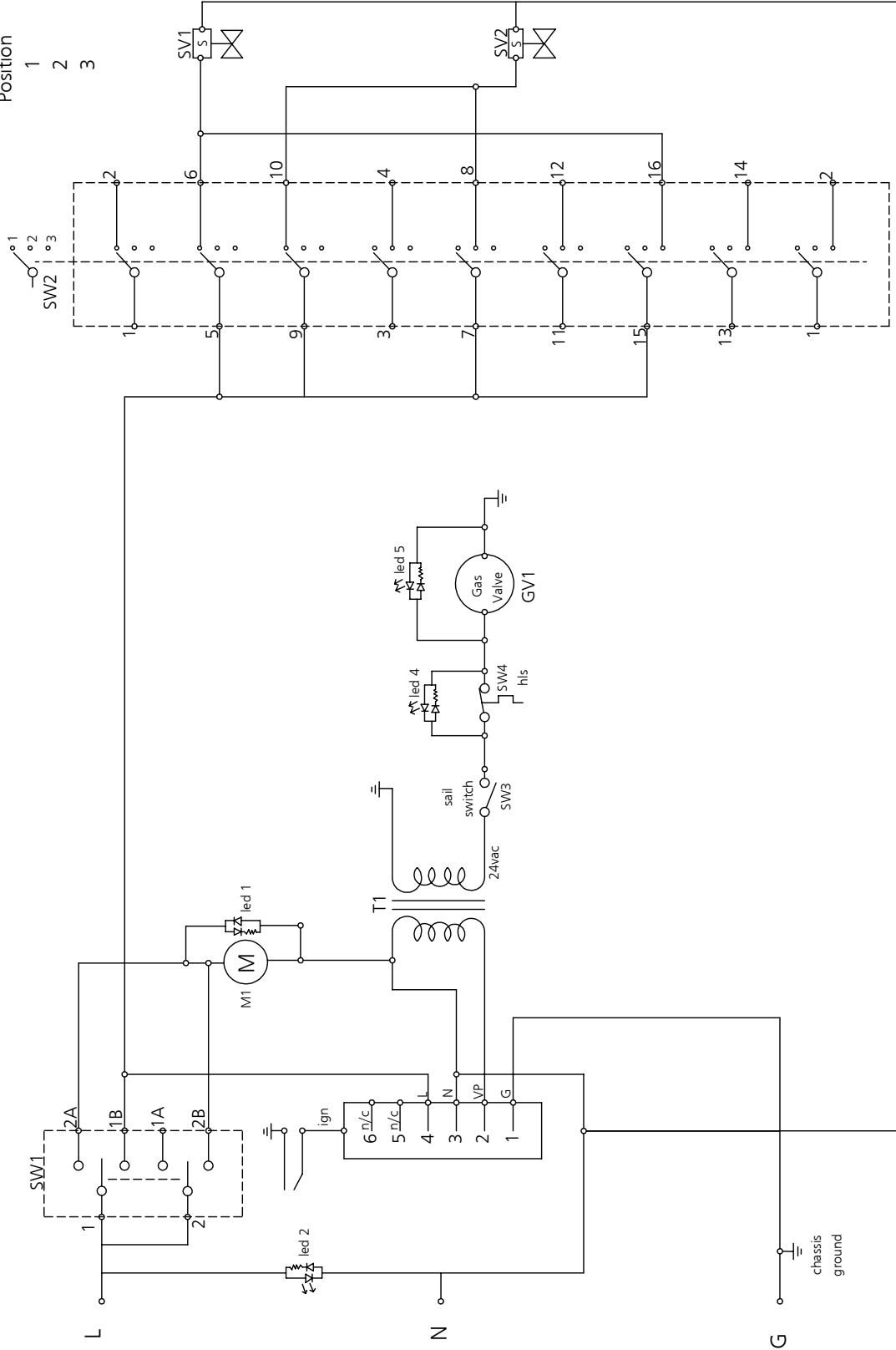
LLAME AL: 877-477-3353

VISITE IPSPower.COM

DIAGRAMA DE CABLEADO - TODAS LAS UNIDADES

Position
1
2
3

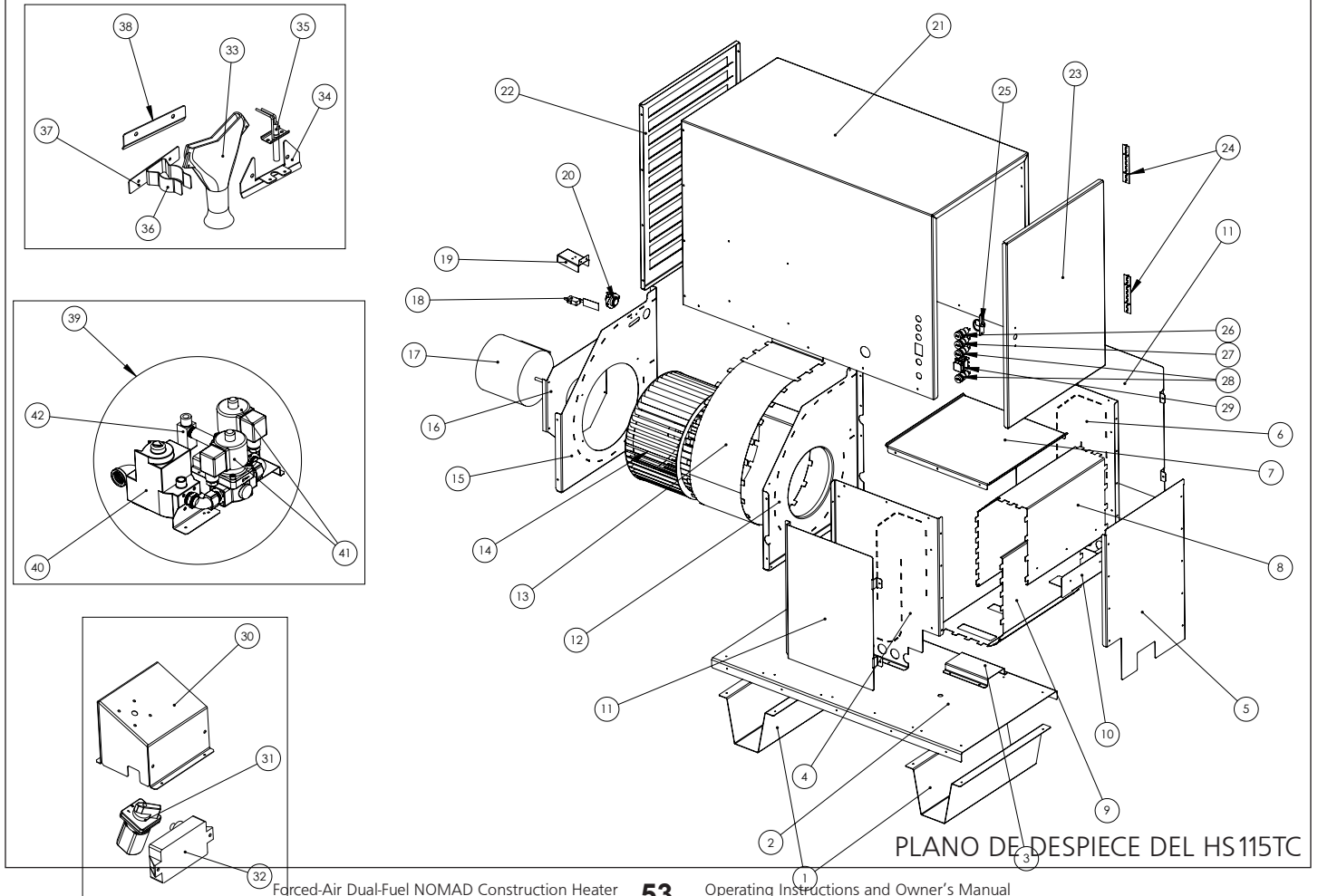
Valve(s) Open
SV1 & SV2
SV2
SV1



Chassis wiring is stranded 18 AWG / 105 C / @ 600 Volts
 Igniter wiring is 16 AWG / 25KVDC / 10 KVAC
 (replace with same ratings)
 (all quick connects fully insulated)

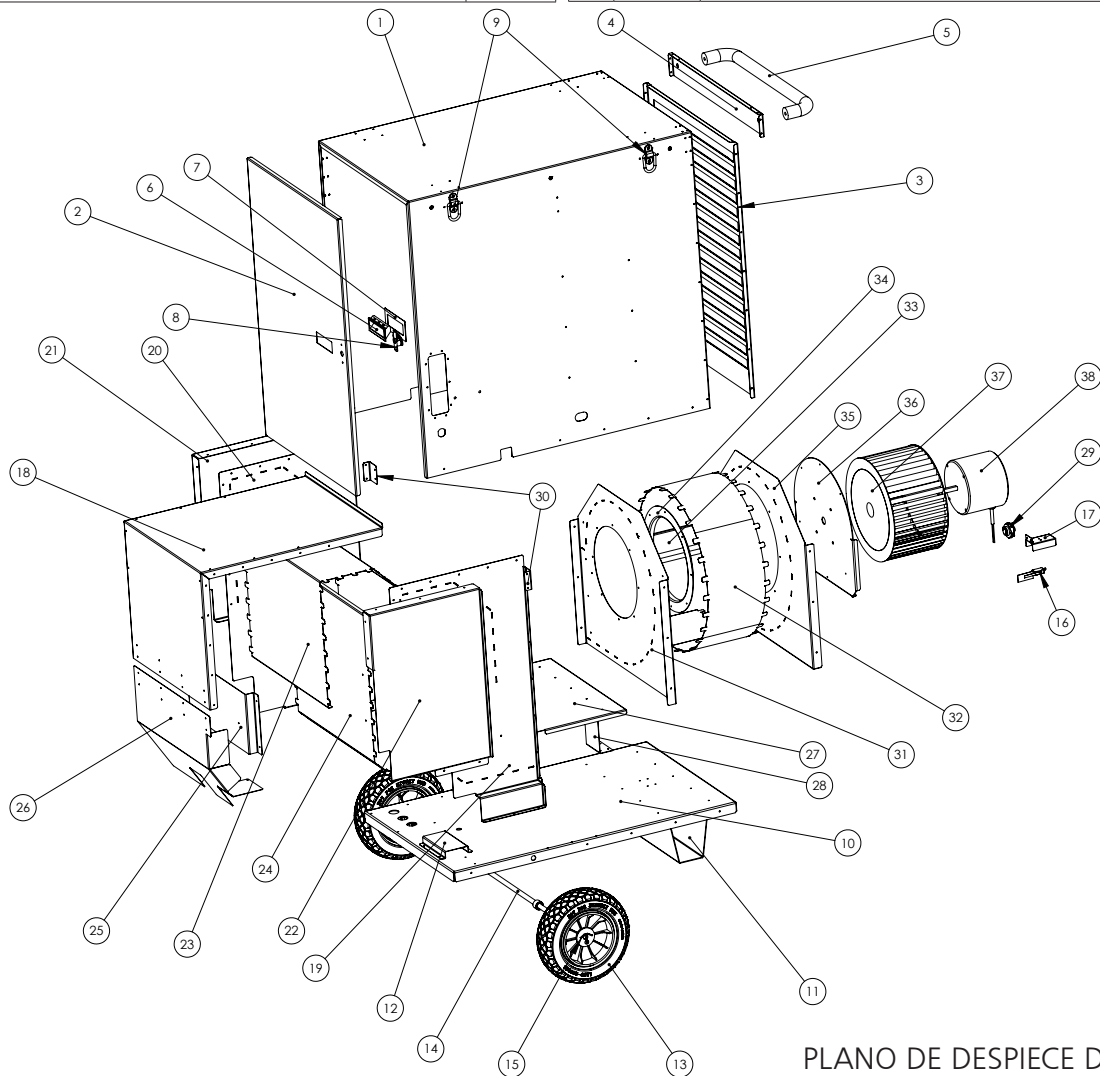
#	PARTE	DESCRIPCIÓN DE LA PARTE	CANT.
1	60801	PATA DEL CALEFACTOR	2
2	60800	BASE DEL CALEFACTOR	1
3	60802	SOPORTE DEL SOLENOIDE	1
4	60818	CÁMARA DE COMBUSTIÓN - DERECHA	1
5	60820	CÁMARA DE COMBUSTIÓN - ATRÁS	1
6	60817	CÁMARA DE COMBUSTIÓN - IZQUIERDA	1
7	60819	CÁMARA DE COMBUSTIÓN - ARRIBA	1
8	60822	CÁMARA DE COMBUSTIÓN - ALA SUPERIOR	1
9	60821	CÁMARA DE COMBUSTIÓN - ALA INFERIOR	1
10	60823	CUBIERTA INFERIOR DEL QUEMADOR	1
11	60824	CÁMARA DE COMBUSTIÓN - CUBIERTA CONTRA EL CALOR	2
12	60813	PANEL INTERNO DEL VENTILADOR	1
13	60815	TUBO DEL VENTILADOR	1
14	60816	RUEDA 115 DEL VENTILADOR	1
15	60812	PANEL EXTERIOR DEL VENTILADOR	1
16	60814	PLACA DE MONTAJE DEL MOTOR	1
17	60843	MOTOR 115 - 1/3 HP	1
18	00613	INTERRUPTOR DE ALETA	1
19	60938	SOPORTE DEL INTERRUPTOR DE ALETA	1
20	60958	INTERRUPTOR LIMITADOR MÁXIMO	1
21	60833	CUBIERTA DEL CALEFACTOR	1
22	60835	PUERTA DEL MOTOR	1
23	60834	PUERTA DE CONTROLES	1

#	PARTE	DESCRIPCIÓN DE LA PARTE	CANT.
24	60837	BISAGRA DE LA PUERTA	1
25	60839	ANILLO "D" DE TRABA/CERRADURA	1
26	60847	LED ROJO DE 24 V - INDICADOR DE FALLA	1
27	60846	LED VERDE DE 24 V - INDICADOR DE VÁLVULA DE GAS	1
28	60845	LED DE 120 V - VERDE	2
29	60841	INTERRUPTOR BASCULANTE DE ENCENDIDO	1
30	60883	SOPORTE DE LA LLAVE SELECTORA	1
31	60842	LLAVE SELECTORA	1
32	27808	PANEL DE CONTROL DE LLAMA	1
33	60810	QUEMADOR 115	1
34	60827	PLACA DE ENCENDIDO DEL QUEMADOR 115 - FRENTE	1
35	60729	MECANISMO DETECTOR DE ENCENDIDO/LLAMA	1
36	60831	ABRAZADERA DEL QUEMADOR 115	1
37	60832	ABRAZADERA DE LA BASE DEL QUEMADOR 115	1
38	60826	PLACA DE ENCENDIDO DEL QUEMADOR 115 - ATRÁS	1
39	00600	MECANISMO DE CONTROL DEL GAS	1
40	60129	VÁLVULA DE GAS	1
41	60848	VÁLVULA DE SOLENOIDE	2
42	60809	SOPORTE DE ORIFICIO	1
**	60969	MANGUERA, ASAMBLEA, NOMAD, 15', 1/2"MP - 1/2"FF	1
**	00617	REGULADOR W/ POL	1
**	00618	TERMOSTATO ASAMBLEA W/ CABLE	1



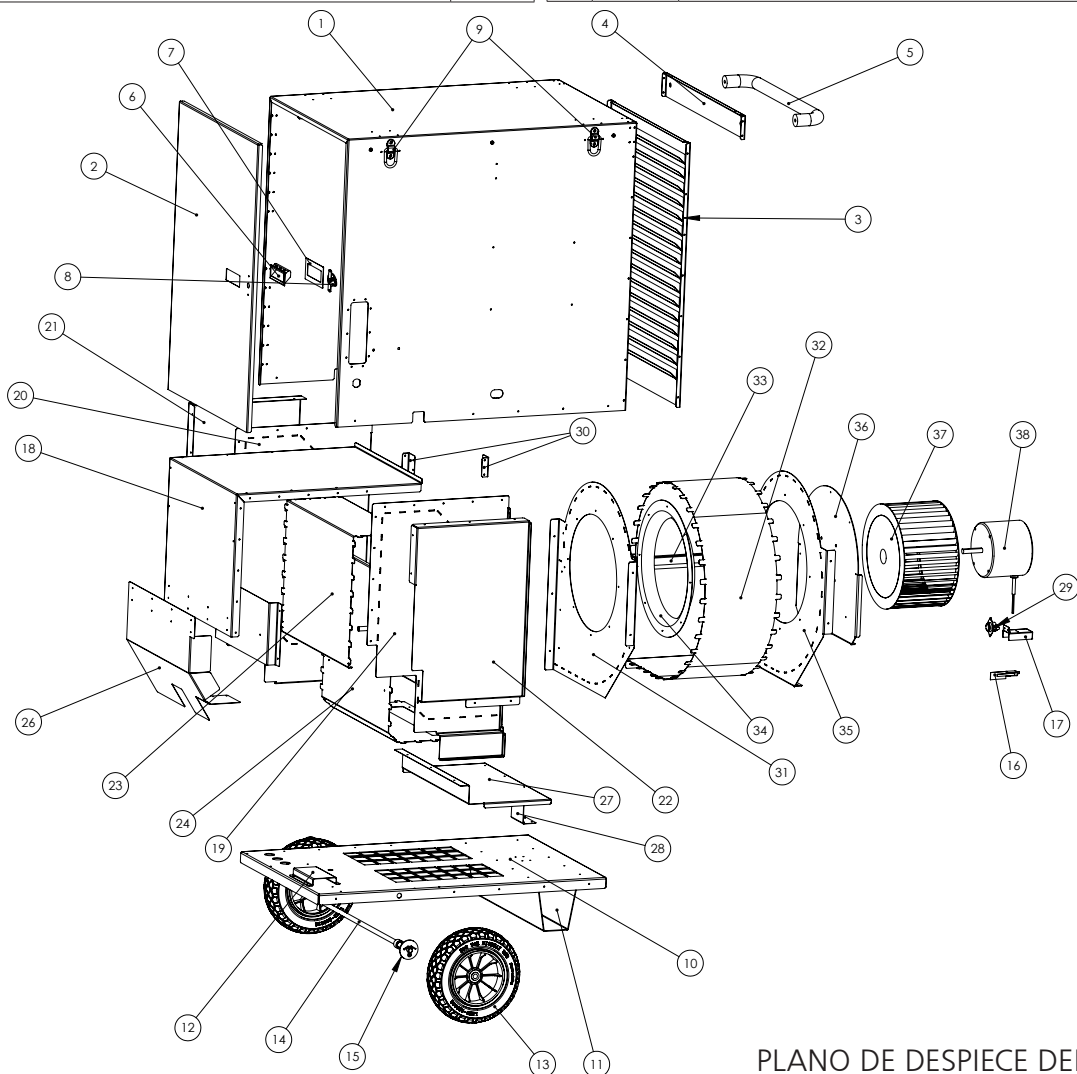
NOTAS:

#	PARTE	DESCRIPCIÓN DE LA PARTE	CANT.	#	PARTE	DESCRIPCIÓN DE LA PARTE	CANT.
1	60973	CUBIERTA 190	1	22	90924	CÁMARA DE COMBUSTIÓN - CUBIERTA IZQUIERDA CONTRA EL CALOR	1
2	60904	PUERTA ELÉCTRICA	1	23	60892	CÁMARA DE COMBUSTIÓN - ALA SUPERIOR	1
3	60905	PUERTA DEL MOTOR	1	24	60893	CÁMARA DE COMBUSTIÓN - ALA INFERIOR	1
4	60906	PIEZA FIJA DE MONTAJE DEL MANGO	1	25	60925	QUEMADOR - SEPARADOR	1
5	60908	MANGO	1	26	60885	CÁMARA DE COMBUSTIÓN - CUBIERTA INFERIOR CONTRA EL CALOR	1
6	60916	MANIJA DE LA PUERTA	1	27	60974	ESTANTE DEL VENTILADOR	1
7	60913	ESPACIADOR PARA MANIJA DE PUERTA	1	28	60975	SOPORTE PARA ESTANTE DEL VENTILADOR	1
8	60917	TRABA DE LA PUERTA	1	29	60899	INTERRUPTOR LIMITADOR MÁXIMO	1
9	60915	ANILLOS DE ELEVACIÓN	4	30	60894	SOPORTE PARA CÁMARA DE COMBUSTIÓN	2
10	60884	BASE	1	31	60977	CUBIERTA - LADO DERECHO	1
11	60901	PATA DE LA BASE	1	32	60978	TUBO DEL VENTILADOR	1
12	60802	SOPORTE DEL SOLENOIDE	1	33	60981	ACOPLE PARA EL DEFLECTOR	1
13	40940	RUEDA	2	34	60980	ADAPTADOR DE ENTRADA	1
14	60902	EJE	1	35	60976	CUBIERTA - LADO IZQUIERDO	1
15	28787	JUEGO DE ACCESORIOS DE LAS RUEDAS	1	36	60979	MONTAJE PARA EL MOTOR	1
16	60851	INTERRUPTOR DE ALETA	1	37	60998	RUEDA 190 DEL VENTILADOR	1
17	60938	SOPORTE DEL INTERRUPTOR DE ALETA	1	38	60971	MOTOR 190 DE 1/2 HP	1
18	60922	CÁMARA DE COMBUSTIÓN - ARRIBA	1	**	60969	MANGUERA, ASAMBLEA, NOMAD, 15', 1/2" MP - 1/2" FF	1
19	60891	CÁMARA DE COMBUSTIÓN - IZQUIERDA	1	**	00617	REGULADOR W/ POL	1
20	60890	CÁMARA DE COMBUSTIÓN - DERECHA	1	**	00618	TERMOSTATO ASAMBLEA W/ CABLE	1
21	60923	CÁMARA DE COMBUSTIÓN - CUBIERTA DERECHA CONTRA EL CALOR	1				



PLANO DE DESPIECE DEL HS190TC

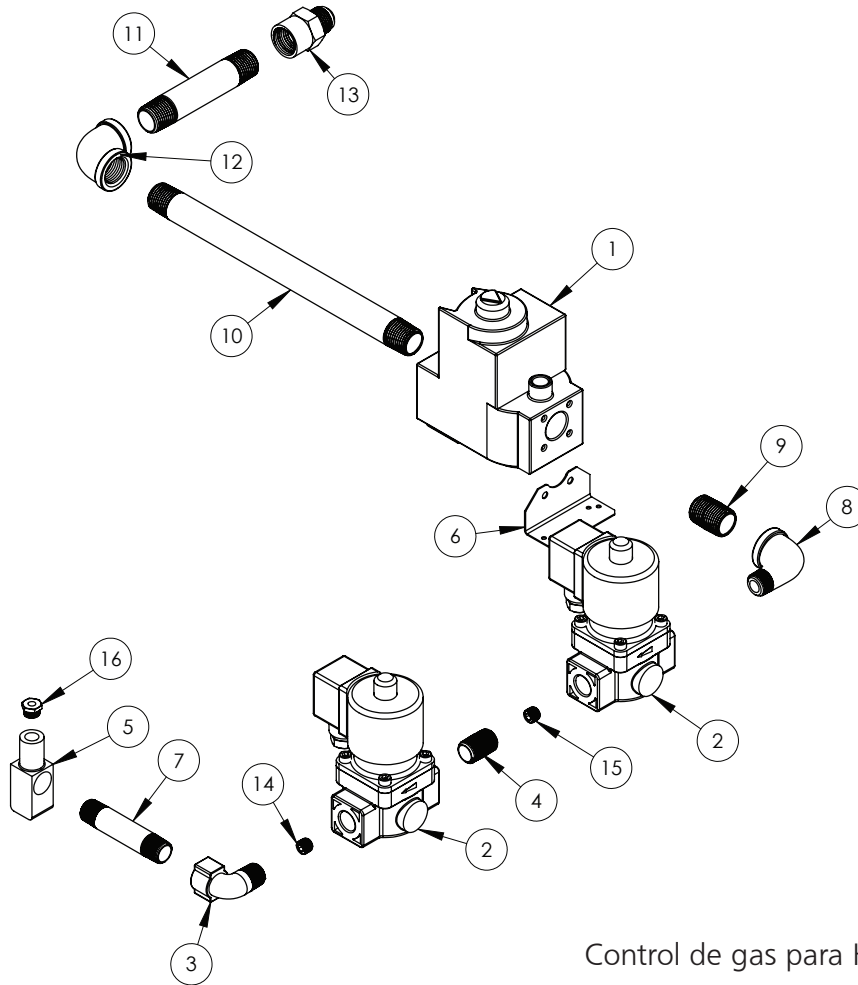
#	PARTE	DESCRIPCIÓN DE LA PARTE	CANT.	#	PARTE	DESCRIPCIÓN DE LA PARTE	CANT.
1	60903	CUBIERTA 250	1	22	60924	CÁMARA DE COMBUSTIÓN - CUBIERTA IZQUIERDA CONTRA EL CALOR	1
2	60904	PUERTA ELÉCTRICA	1	23	60920	CÁMARA DE COMBUSTIÓN - ALA SUPERIOR	1
3	60905	PUERTA DEL MOTOR	1	24	60921	CÁMARA DE COMBUSTIÓN - ALA INFERIOR	1
4	60906	PIEZA FIJA DE MONTAJE DEL MANGO	1	25	60925	QUEMADOR - SEPARADOR	1
5	60908	MANGO	1	26	60885	CÁMARA DE COMBUSTIÓN - CUBIERTA INFERIOR CONTRA EL CALOR	1
6	60916	MANIJA DE LA PUERTA	1	27	60930	ESTANTE DEL VENTILADOR	1
7	60913	ESPACIADOR PARA MANIJA DE PUERTA	1	28	60931	SOPORTE PARA ESTANTE DEL VENTILADOR	1
8	60917	TRABA DE LA PUERTA	1	29		INTERRUPTOR LIMITADOR MÁXIMO	1
9	60915	ANILLOS DE ELEVACIÓN	4	30	60894	SOPORTE PARA CÁMARA DE COMBUSTIÓN	2
10	60900	BASE	1	31	60933	CUBIERTA - LADO DERECHO	1
11	60901	PATA DE LA BASE	1	32	60934	TUBO DEL VENTILADOR	1
12	60802	SOPORTE DEL SOLENOIDE	1	33	60937	ACOPLE PARA EL DEFLECTOR	1
13	40940	RUEDA	2	34	60936	ADAPTADOR DE ENTRADA	1
14	60902	EJE	1	35	60932	CUBIERTA - LADO IZQUIERDO	1
15	28787	JUEGO DE ACCESORIOS DE LAS RUEDAS	1	36	60935	MONTAJE PARA EL MOTOR	1
16	60851	INTERRUPTOR DE ALETA	1	37	60940	RUEDA 250 DEL VENTILADOR	1
17	60938	SOPORTE DEL INTERRUPTOR DE ALETA	1	38	60960	MOTOR 190 DE 3/4 HP	1
18	60922	CÁMARA DE COMBUSTIÓN - ARRIBA	1	**	60969	MANGUERA, ASAMBLEA, NOMAD, 15', 1/2" MP - 1/2" FF	1
19	60919	CÁMARA DE COMBUSTIÓN - IZQUIERDA	1	**	00617	REGULADOR W/ POL	1
20	60918	CÁMARA DE COMBUSTIÓN - DERECHA	1	**	00618	TERMOSTATO ASAMBLEA W/ CABLE	1
21	60923	CÁMARA DE COMBUSTIÓN - CUBIERTA DERECHA CONTRA EL CALOR	1				



PLANO DE DESPIECE DEL HS250TC

NOTAS:

#	PARTE	DESCRIPCIÓN DE LA PARTE	CANT.	#	PARTE	DESCRIPCIÓN DE LA PARTE	CANT.
1	60129	VÁLVULA DE GAS HONEYWELL	1	11	02724	ACOPLE PARA TUBERÍA DE 1/2" x 4"	1
2	60848	VÁLVULA DE SOLENOIDE	2	12	60957	CODO DE 1/2" x 1/2"	1
3	70597	3/8" FPT X 3/8" MPT - CODO MACHO-HEMBRA	1	13	02744	UNIÓN MACHO DE 1/2"	1
4	60804	ACOPLE CERRADO PARA TUBERÍA DE 3/8"	1	14-A	60881	ORIFICIO 250 1	1
5	60948	SOPORTE DE ORIFICIO	1	15-A	60882	ORIFICIO 250 2	1
6	60949	SOPORTE DE VÁLVULA DE GAS	1	16-A	60880	ORIFICIO 250 PRINCIPAL	1
7	60805	ACOPLE PARA TUBERÍA DE 3/8" x 3-1/4"	1	14-B	60878	ORIFICIO 190 1	1
8	60955	1/2" FPT X 3/8" MPT - CODO MACHO-HEMBRA	1	15-B	60879	ORIFICIO 190 2	1
9	60954	ACOPLE CERRADO PARA TUBERÍA DE 1/2"	1	16-B	60887	ORIFICIO 190 2	1
10	60956	ACOPLE PARA TUBERÍA DE 1/2" x 10"	1				



Control de gas para HS190TC y HS250TC

ADVERTENCIA:

USE SOLAMENTE PARTES DE REPUESTO DEL FABRICANTE. EL USO DE CUALQUIER OTRA PARTE PODRÍA CAUSAR HERIDAS O LA MUERTE. LAS PARTES DE REPUESTO ESTÁN DISPONIBLES ÚNICAMENTE EN LA FÁBRICA Y DEBEN SER INSTALADAS POR UNA AGENCIA DE SERVICIO CALIFICADA.

POR CONSULTAS DE REPARACIONES O PARTES

LLAME AL: 866-447-2194 O 216-916-3000
VISITE: WWW.HEATSTARBYENERCO.COM

PARA CANADÁ ÚNICAMENTE

LLAME AL: 877-477-3353
VISITE IPSPower.COM

DOMICILIO CORPORATIVO

HEATSTAR BY ENERCO
4560 WEST 160TH STREET
CLEVELAND, OHIO 44135

EL HORARIO DE NUESTRA OFICINA ES: LUNES A VIERNES DE 8:00 A 17:00

CUANDO NOS LLAME:

TENGA SU NÚMERO DE SERIE Y NÚMERO DE MODELO A MANO. AMBOS ESTÁN UBICADOS EN LA ETIQUETA DE ESPECIFICACIONES EN EL INTERIOR DEL PANEL DE ACCESO. GUARDE ESTE MANUAL PARA FUTURA REFERENCIA.

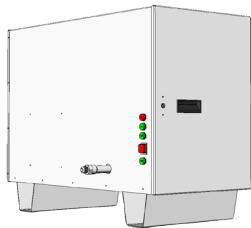
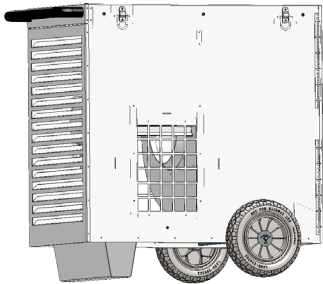


INSTRUCCIONES DE USO Y MANUAL DEL USUARIO

Modelo #

HS115TC
HS190TC
HS260TC

LEA CUIDADOSAMENTE LAS INSTRUCCIONES: Lea y siga todas las instrucciones. Conserve estas instrucciones en un lugar seguro para futura referencia. No permita que nadie que no haya leído estas instrucciones arme, encienda, ajuste o use el calefactor.



ADVERTENCIA:

USE SOLAMENTE PARTES DE REPUESTO DEL FABRICANTE. EL USO DE CUALQUIER OTRA PARTE PODRÍA CAUSAR HERIDAS O LA MUERTE. LAS PARTES DE REPUESTO ESTÁN DISPONIBLES ÚNICAMENTE EN LA FÁBRICA Y DEBEN SER INSTALADAS POR UNA AGENCIA DE SERVICIO CALIFICADA.

INFORMACIÓN PARA ORDENAR PARTES:

COMPRAS: Puede comprar accesorios en cualquier distribuidor local de HEAT STAR o directamente de la fábrica

POR INFORMACIÓN ACERCA DE REPARACIONES

Por favor llame sin cargo al 866-447-2194 • HEATSTARBYENERCO.COM

Nuestro horario de trabajo es de 08:00 a.m. AM a 5:00 PM, de lunes a viernes, hora del este.

Por favor, incluya el número de modelo, la fecha de compra y la descripción del problema en todas sus comunicaciones.

GARANTÍA LIMITADA

La compañía garantiza que este producto estará libre de imperfecciones materiales y de fabricación, bajo condiciones de uso normales y adecuadas de acuerdo con las instrucciones de la Compañía, por un período de un año a partir de la fecha de entrega al comprador. La Compañía, según decida, reparará o reemplazará los productos que el comprador devuelva a la fábrica, con transportación prepagada dentro del mencionado período de un año y que la Compañía determine que presentan imperfecciones materiales o de fabricación.

Si alguna de las partes está dañada o si le falta alguna, llame a nuestro Departamento de Asistencia Técnica al 866-447-2194.

Dirija sus reclamos de garantía a Service Department, HEAT STAR Group, Inc., 4560 W. 160th St., Cleveland, Ohio 44135. Incluya su nombre, dirección y número telefónico en su comunicación e incluya los detalles relacionados con el reclamo. Además, infórmenos la fecha de la compra y el nombre y dirección del proveedor de quien adquirió nuestro producto.

Lo anterior describe las responsabilidades de la Compañía en toda su extensión. No hay otras garantías, ni explícitas ni implícitas. Específicamente, no hay garantías acerca de la adecuación para un propósito particular y no hay garantías de comerciabilidad. En ningún caso la Compañía será responsable por demoras causadas por imperfecciones, por daños consecuentes, ni por ningún otro cargo de gastos de ninguna naturaleza realizado sin su consentimiento escrito. El costo de reparación o reemplazo será la única compensación por cualquier incumplimiento de la garantía. No hay garantía ni se derivará garantía implícita alguna del proceso de comercialización ni de las prácticas comerciales comunes. Esta garantía no será válida para productos que hayan sido reparados o alterados fuera de la fábrica en cualquier sentido que a nuestro criterio afecte su estado o funcionamiento.

Algunos estados no permiten la exclusión o limitación de daños incidentales ni consecuentes, así que la limitación o exclusión anterior puede no tener validez en su caso. Esta Garantía le otorga derechos legales específicos, y usted puede tener otros derechos que varían de un estado a otro.

HEAT STAR Group, Inc. se reserva el derecho de hacer cambios en cualquier momento, sin previo aviso, en los colores, especificaciones, accesorios, materiales y modelos.

REGISTRO DEL PRODUCTO: Gracias por su compra.
Ingrese a HEATSTARBYENERCO.COM para registrar su producto.

HEAT STAR, INC., 4560 W. 160TH ST., CLEVELAND, OHIO 44135 • 866-447-2194



Intertek

ANSI Z83.7b-2009/CSA 2.14b-2009