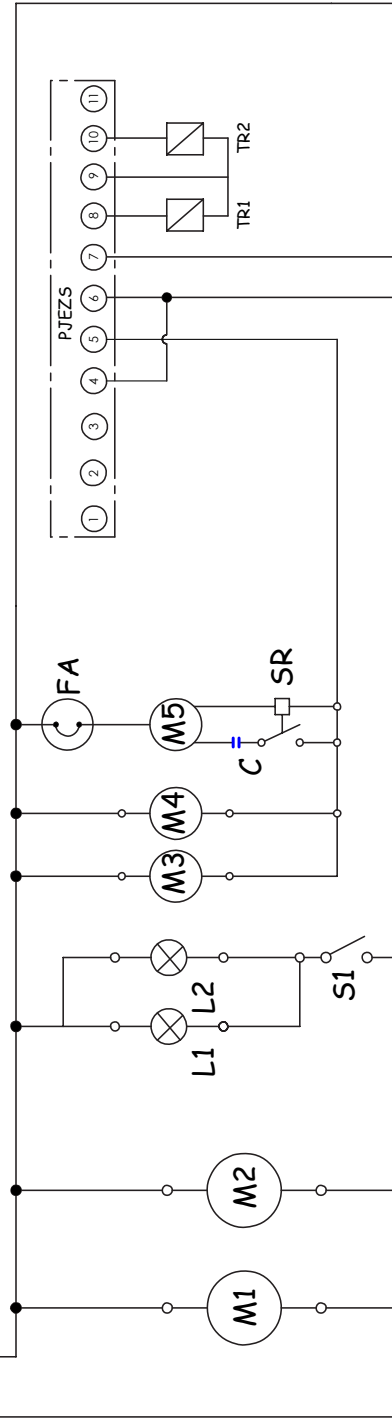
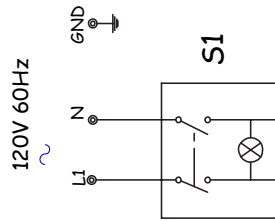


## ELECTRICAL DRAWING - REFRIGERATED DISPLAY CASE, ITEMS 40842, 40843, 40844, 40880, 40881, 40882

MODEL : REFRIGERATED COUNTER TOP DISPLAY CABINET 120V 60Hz

MODEL CODE : RDE7136  
 RDE7148  
 RDE7160  
 RDE8336  
 RDE8348  
 RDE8360

M1/M2	CIRCULATION FAN
L1/L2	LIGHT
M3/M4	CONDENSOR MOTOR FAN
SR	COMPRESSOR RELAY
FA	OVERLOAD PROTECTION
TR1	TEMPERATURE SENSOR
TR2	DEFROST SENSOR
PJEZS	TEMPERATURE CONTROLLER
S2	LIGHT SWITCH
C	CAPASITOR COMPRESSOR
M5	1/5 HP COMPRESSOR MODEL RDE 7136
M5	1/4 HP COMPRESSOR MODEL RDE 7148, RDE 7160, RDE 8336
M5	1/3 HP COMPRESSOR MODEL RDE 8348, RDE 8360

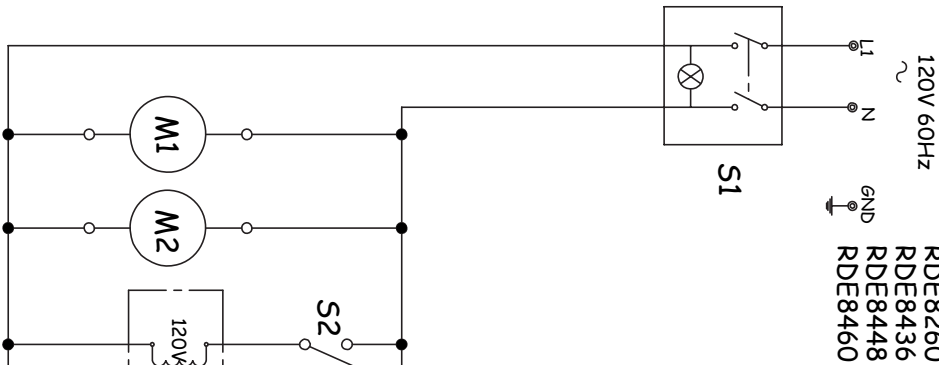


Rev.01

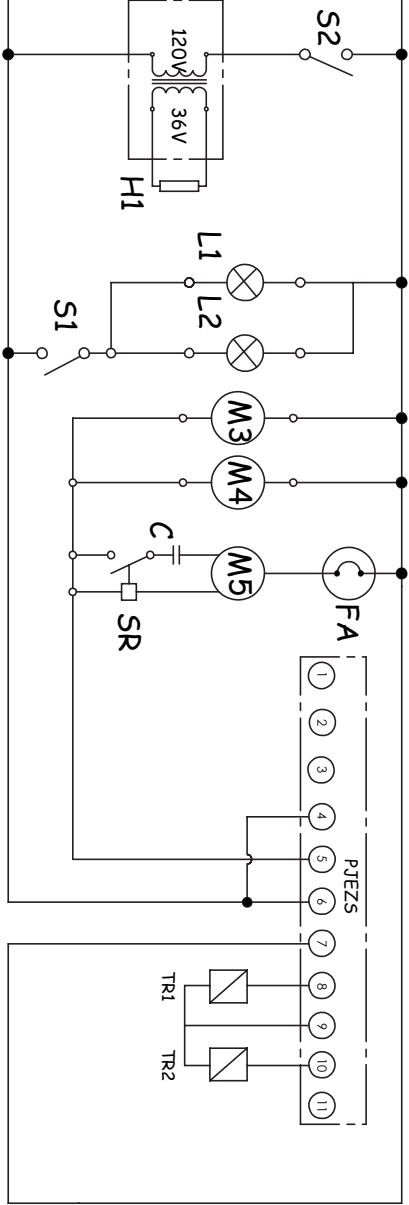
# Wiring Diagram

ELECTRICAL DRAWING - REFRIGERATED DISPLAY CASE, ITEMS 40852, 40853, 40854, 40862, 40863, 40864, 40886, 40887, 40889

MODEL : REFRIDGERATED COUNTER TOP DISPLAY CABINET 120V 60Hz  
 MODEL CODE : RDE8136  
 RDE8148  
 RDE8160  
 RDE8236  
 RDE8248  
 RDE8260  
 RDE8436  
 RDE8448  
 RDE8460



LEGEND	DESCRIPTION
S1	ON/OFF ILLUMINATED SWITCH
M1 / M2	CIRCULATION FAN
L1 / L2	LIGHT
M3 / M4	CONDENSOR MOTOR FAN
SR	COMPRESSOR RELAY
FA	OVERLOAD PROTECTION
TR1	TEMPERATURE SENSOR
TR2	DEFROST SENSOR
PTEZS	TEMPERATURE CONTROLLER
S2	LIGHT SWITCH
C	CAPASITOR COMPRESSOR
M5	1 / 5 HP COMPRESSOR MODEL RDE 8136, RDE 8236
M5	1 / 4 HP COMPRESSOR MODEL RDE 8148, RDE 8160, RDE 8248, RDE 8436
M5	3 / 8 HP COMPRESSOR MODEL RDE 8260
M5	1 / 3 HP COMPRESSOR MODEL RDE 8448, RDE 8460
S2	GLASS HEATER SWITCH
H1	GLASS HEATER
TI	TRANSFORMER 120V



Rev.01