



# BEVERAGE-AIR

3779 Champion Blvd., Winston-Salem, NC 27105  
1-888-845-9800 Fax# 1-336-245-6453  
<http://www.Beverage-Air.com>

Item No. \_\_\_\_\_  
Quantity \_\_\_\_\_

**BEER EQUIPMENT  
SLIDING GLASS DOOR  
BACK BAR REFRIGERATORS  
BB SLIDING GLASS DOOR SERIES**

**MODELS:  
BB48GSY-1-B  
BB58GS-1-B**

## Commercial Refrigeration Equipment General Specification

### BB GLASS DOOR — BACK BAR REFRIGERATOR WITH SLIDING GLASS DOORS

Back bar storage cabinet with sliding glass doors comes in a basic, self-contained 48" or 58" wide model.

#### CABINET CONSTRUCTION

Standard, cabinet exterior construction includes attractive, wear resistant vinyl on steel in black finish. Galvanized sub top standard on BB48GSY-1-B. 2" stainless steel top optional. 2" stainless steel top standard on BB58GS-1-B. Sliding glass doors are self-closing and includes a stay-open feature and lock.

Standard interior construction utilizes galvanized steel walls and ceiling. Reinforced floor made from heavy-duty stainless steel to provide long lasting service. Interior, fluorescent lighting is standard.

Environmentally friendly foamed-in-place CFC and HCFC-free polyurethane insulation enhances the structural strength of the cabinet and helps increase energy efficiency.

#### REFRIGERATION

Refrigeration system uses R134a refrigerant, which is CFC and HCFC-free for compliance with environmental safety concerns.

Condensate elimination is automatic and non-electric.

#### ELECTRICAL

Units are wired at factory and ready for connection to a 115/60/1 phase, 15 amp dedicated outlet. 8' long cord and plug set included.

#### SPECIAL FEATURES

- Sliding glass doors
- Door lock
- Door hold-open feature
- 2-pane lowE door glass



**BB48GSY-1-B**



**BB58GS-1-B**



\*Note: Not all markings may apply to all model variations.

Available From:

<b>Model Specified</b> _____	<b>Store#</b> _____
<b>Location</b> _____	<b>Quantity</b> _____

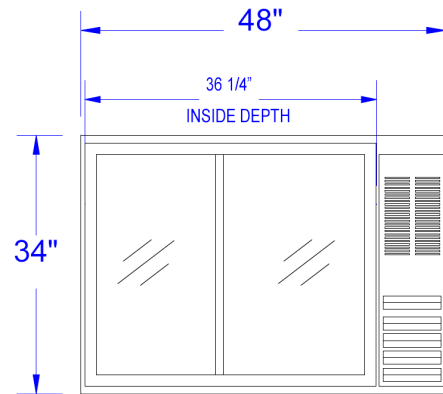
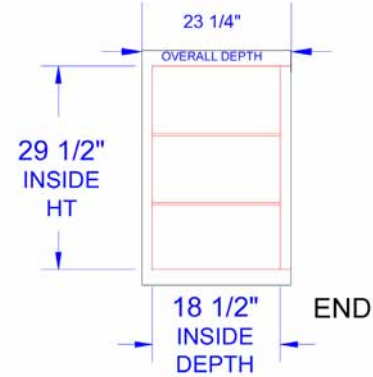


## Back Bar Glass Door Refrigerators—Sliding Glass Doors

Models: BB48GSY-1-B, BB58GS-1-B

MODEL	BB48GSY-1-B	BB58GS-1-B
<b>EXTERNAL DIMENSIONAL DATA</b>		
Length Overall (inches)	48"	59"
Length Overall (mm)	1219	1499
Depth Overall (inches)	23 1/4"	28 3/16"
Depth Overall (mm)	591	716
Height Overall— (inches)	34"	37 1/4"
Height Overall—(mm)	864	946
Number of doors	2	2
<b>INTERNAL DIMENSIONAL DATA</b>		
NET Capacity (cubic ft.)	12.1	23.8
NET Capacity (Liters)	343	672
Internal Length Overall (inches)	36"	55"
Internal Length Overall (mm)	914	1397
Internal Depth Overall (inches)	18 1/2"	23"
Internal Depth Overall (mm)	470	584
Internal Height Overall (inches)	29 1/2"	32"
Internal Height Overall (mm)	749	813
Number of Shelves	4	4
Number of Kegs (straight wall)	2	2
<b>ELECTRICAL DATA</b>		
Full Load Amperes 115/60/1	5	7.4
<b>ENERGY CONSUMPTION (KWH)</b>		
	3.74	4.37
<b>REFRIGERATION DATA</b>		
Horsepower	1/4	1/3
<b>WEIGHT DATA</b>		
Gross Weight (Crated lbs)	306	382
Gross Weight (Crated kg)	139	173

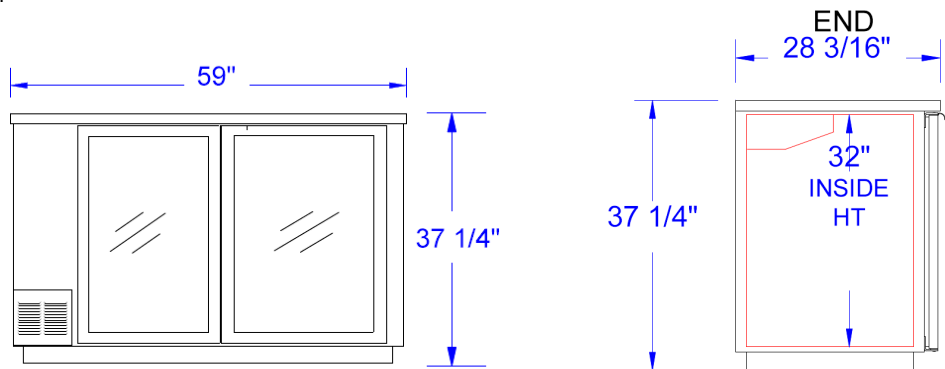
### PLAN VIEWS



FRONT  
BB48GSY-1-B



\*Note: Not all markings may apply to all model variations.



FRONT  
BB58GS-1-B

### ELECTRICAL CONNECTION

Units are pre-wired at factory and include 8' long cord and plug set.



## BEVERAGE-AIR® CORPORATION

3779 Champion Blvd. • Winston-Salem, NC 27105 USA • (336) 245-6400 • Fax (336) 245-6453 • (888) 845-9800 • www.beverage-air.com

Specifications are subject to change without prior notice. 12/10