



# CT661ADA



32" x 23.63" x 23" (H x W x D)

ADA compliant freestanding refrigerator-freezer for residential use, cycle defrost with deluxe interior and white finish

### Highlights:

32" height for use in ADA compliant settings

Over 5 cu.ft. of storage capacity in a perfectly sized 24" footprint

Improved temperature performance with our unique dual evaporator cooling

Zero degree freezer compartment

### Product Features:

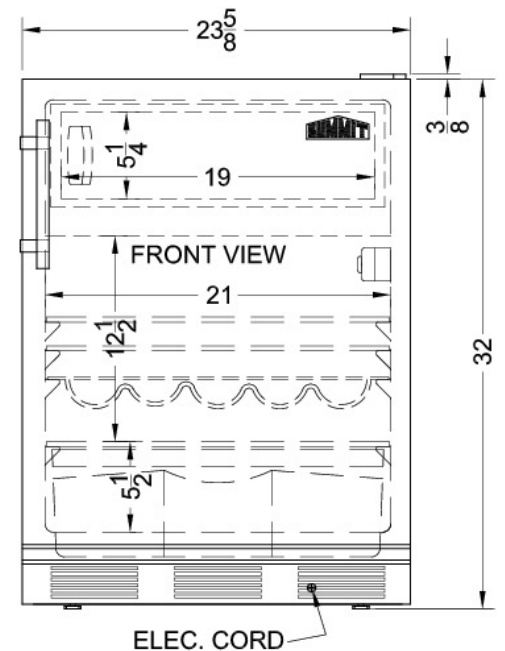
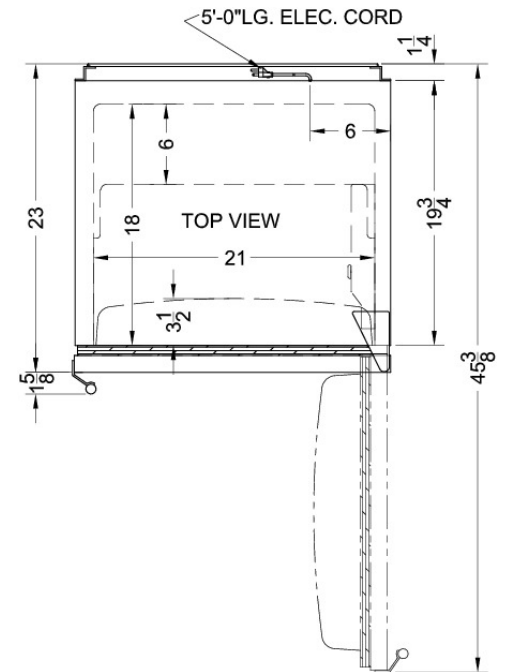
ADA Compliant	32" height for use in settings complying with ADA guidelines for lower counter height
Slim counter height dimensions	Ideal 24" footprint offers full 5.1 cu.ft. storage capacity in a slim fit
Dual evaporator cooling	Our unique and efficient design separately cools the refrigerator while maintaining zero degrees in the freezer with two evaporators
Cycle defrost	This system utilizes user-friendly automatic defrost operation in the fresh food section and efficient manual defrost operation in the freezer compartment
Zero degree freezer	Frozen food and ice cream stay safe and freezer burn-free in the low temperature freezer compartment
Adjustable glass shelves	Rearrange the refrigerator space to fit any sized item or remove shelves for simple cleanup
Crisper drawer	Get the longest life and best taste out of produce by storing greens in lower slide drawer
Door shelves	Store tall bottles and condiments right on the door for convenient access
Wine shelf	Removable scalloped wine shelf is included to store champagne and wine bottles



## CT661ADA Specifications:

Overview	
Height	32.0"
Height to Hinge Cap	32.25"
Width	23.63"
Depth	23.0"
Depth with Handle	24.63"
Depth with door at 90°	45.38"
Capacity	5.1 cu.ft.
Defrost Type	Cycle
Door	White
Cabinet	White
US Electrical Safety	UL
Canadian Electrical Safety	ULC
Energy Usage/Year	365.0kWh/year
Amps	1.3
Voltage/Frequency	115 V AC/60 Hz
Weight	100.0 lbs.
Shipping Weight	110.0 lbs.
Parts & Labor Warranty	1 Year
Compressor Warranty	5 Years
Refrigerator-Freezer	
Door Swing	RHD
Reversible	Yes
Crisper Qty	1
Crisper Finish	Transparent
Crisper Cover	Glass
Refrigerator - Interior Height	18.0"
Refrigerator - Interior Width	21.0"
Refrigerator - Interior Depth	18.0"
Refrigerator - Capacity	4.5 cu.ft
Refrigerator - Shelf Type	Glass
Refrigerator - Shelf Qty	2
Refrigerator - Full Door Shelves	3
Freezer - Interior Height	5.25"
Freezer - Interior Width	19.0"
Freezer - Interior Depth	11.5"

Freezer - Capacity	0.6 cu.ft
Adjustable Shelves	Yes
Wine Bottle Shelving	Yes
Interior Light	Yes
Thermostat Type	Dial
Freon	R134a
Freon Amount	2.33
High Side PSI	285.0
Low Side PSI	70.0
Compressor Step Height	5.5"
Compressor Step Width	21.0"
Compressor Step Depth	6.0"



SUMMIT APPLIANCE DIVISION FELIX STORCH, INC.

770 Garrison Avenue, Bronx, NY 10474 USA TEL 718-893-3900 FAX 844-478-8799 info@summitappliance.com www.summitappliance.com