



FF63B



32.63" x 23.63" x 23" (H x W x D)

Freestanding residential counter height all-refrigerator in black with automatic defrost and deluxe interior

Highlights:

Full 5.5 cu.ft. capacity inside a convenient 24" footprint

Automatic defrost ensures minimum user maintenance

Adjustable glass shelves for spill-proof storage

Deluxe interior features door storage and a scalloped wine shelf

Product Features:

Slim counter height dimensions	Ideal 24" footprint offers full 5.5 cu.ft. storage capacity in a slim fit
Automatic defrost	Reduced maintenance with auto defrost system
One piece interior liner	Enjoy easy clean-up with a seamless liner that won't hold a mess in hidden crevices
Adjustable glass shelves	Rearrange your refrigerator space to accommodate all shapes and sizes or remove shelves for a simple clean-up
Door storage	Store tall bottles and condiments right on the door for convenient access
Wine shelf	Removable scalloped wine shelf is included to store champagne and wine bottles
Fruit and vegetable crisper	Get the longest life and best taste out of produce by storing greens in a convenient slide drawer
Interior light	Automatically illuminates when you open the door
Hidden evaporator	Cold wall design with hidden evaporator creates a seamless, easy to clean interior



SUMMIT APPLIANCE DIVISION FELIX STORCH, INC.

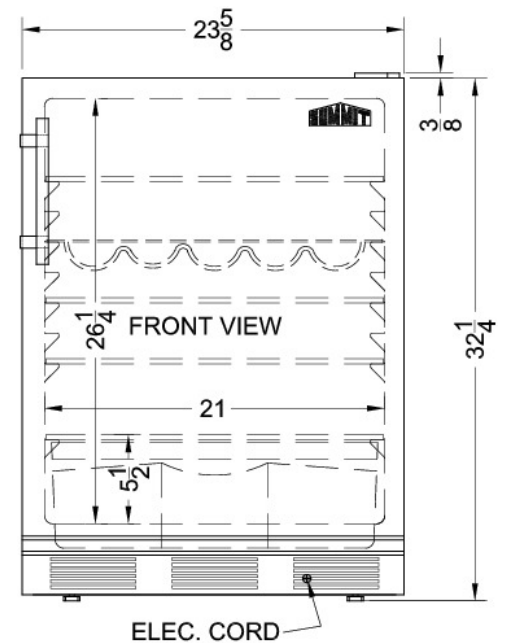
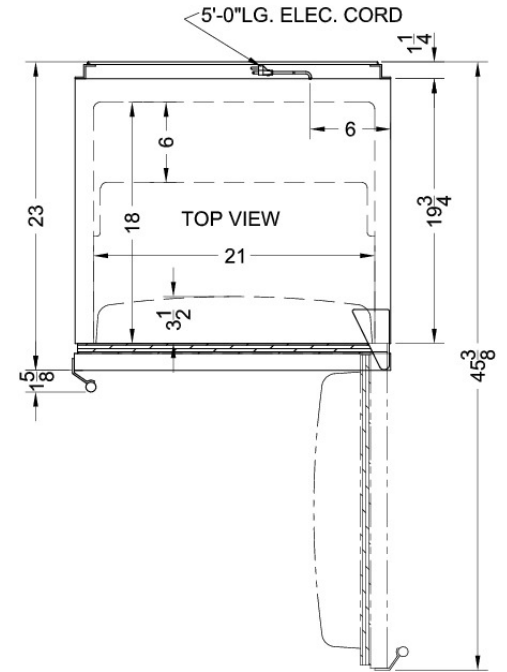
770 Garrison Avenue, Bronx, NY 10474 USA TEL 718-893-3900 FAX 844-478-8799 info@summitappliance.com  www.summitappliance.com



FF63B Specifications:

Overview	
Height	32.63"
Width	23.63"
Depth	23.0"
Depth with Handle	24.63"
Depth with door at 90°	45.38"
Capacity	5.5 cu.ft.
Defrost Type	Automatic
Door	Black
Cabinet	Black
US Electrical Safety	UL
Canadian Electrical Safety	ULC
Energy Usage/Year	307.0kWh/year
Amps	1.0
Voltage/Frequency	115 V AC/60 Hz
Weight	100.0 lbs.
Shipping Weight	110.0 lbs.
Parts & Labor Warranty	1 Year
Compressor Warranty	5 Years
Refrigerator Features	
Door Swing	RHD
Reversible	Yes
Crisper Qty	1
Crisper Finish	Opaque
Crisper Cover	Glass
Shelf Type	Glass
Shelf Qty	3
Full Door Shelf Qty	3
Adjustable Shelves	Yes
Wine Bottle Shelves	Yes
Thermostat Type	Dial
Refrigerant Type	R134a
Refrigerant Amount	1.7
High Side PSI	285.0
Low Side PSI	70.0
Level Legs Qty	2
Interior Light	Yes
Dimensions	

Interior Height	26.25"
Interior Width	21.0"
Interior Depth	18.0"
Compressor Step Height	5.5"
Compressor Step Width	21.0"
Compressor Step Depth	6.0"



SUMMIT APPLIANCE DIVISION FELIX STORCH, INC.

770 Garrison Avenue, Bronx, NY 10474 USA TEL 718-893-3900 FAX 844-478-8799 info@summitappliance.com www.summitappliance.com