



BEVERAGE-AIR

3779 Champion Blvd., Winston-Salem, NC 27105
1-888-845-9800 Fax# 1-336-245-6453
<http://www.Beverage-Air.com>

Commercial Refrigeration Equipment General Specification

Item No. _____
Quantity _____

BUNKERS FROZEN NOVELTY FREEZERS SLANT TOP SERIES

MODELS:
NC28-1-W
NC34-1-W
NC43-1-W
NC51-1-W

3 Year Parts/Labor Warranty Additional 2 Year Compressor Warranty

NC SERIES—SLANT TOP NOVELTY CASE

Used for merchandising and storage of frozen food and novelty ice creams.

SPECIAL FEATURES

- Class 4+ performance (85°F/55% R.H.)
- Low energy consumption
- Adjustable thermostat
- Operating temperature of 0°F.
- Angle top design with Low-e tempered glass lids
- Lids are easily removable.
- Integrated door stop
- Maintenance free pre condenser
- Prepainted steel cabinet with injected CFC-free foam insulation
- Dual cap tube design
- Static skin condenser
- Round exterior edges
- Accessories included: thermometer, baskets and divider, lid lock and keys, high quality heavy duty casters, drain plug for easy cleaning
- Integrated tag molding
- Accessories available: 2 Ring Tub (Part # 2RINGTUB)



NC28-1-W

ELECTRICAL CONNECTION

Units pre-wired at factory and include 8' long cord and plug set.



115/60/1
NEMA-5-15P

*Note: Overall heights of casters may vary with different types of casters depending upon caster manufacturer designations.



Note: Not all markings may apply to all model variations.



NC34-1-W



NC43-1-W



NC51-1-W

Available From:

Model Specified _____

Store# _____

Location _____

Quantity _____



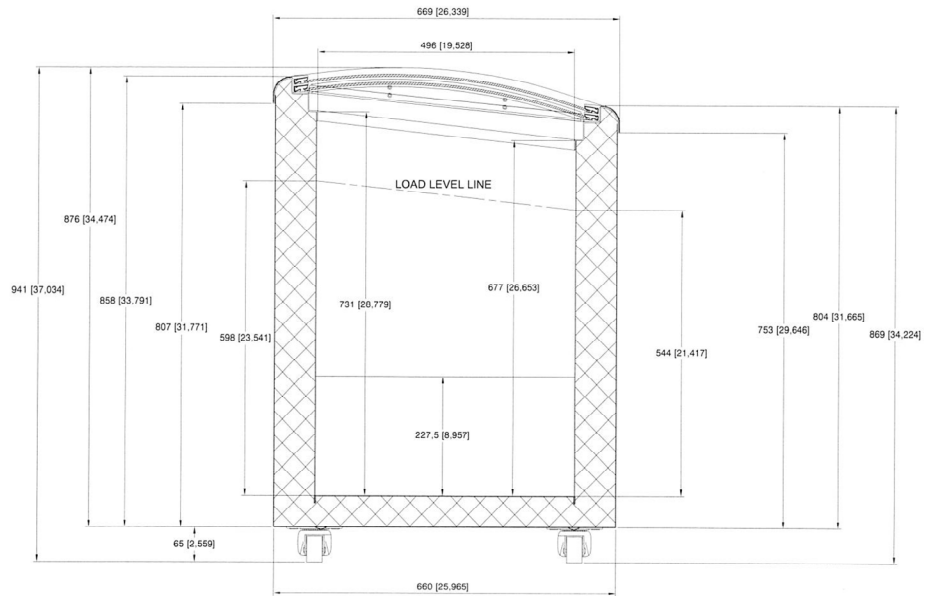
BEVERAGE-AIR

Bunkers Frozen Novelty Freezers

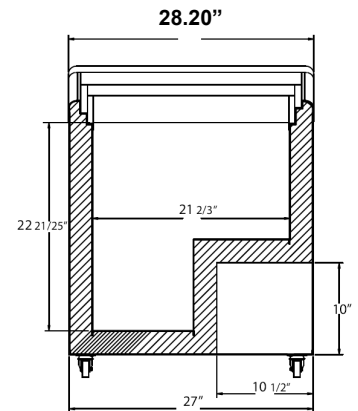
Models: NC28-1-W, NC34-1-W, NC43-1-W, NC51-1-W

MODEL	NC28-1-W	NC34-1-W	NC43-1-W	NC51-1-W
EXTERNAL DIMENSIONAL DATA				
Length Overall (inches)	28.20"	34.11"	42.77"	50.64"
Length Overall (mm)	716	866	1086	1286
Depth Overall (inches)	25"	25"	25"	25"
Depth Overall (mm)	635	635	635	635
Height Rear— (inches)	36"	36"	36"	36"
Height Rear— (mm)	914	914	914	914
Height Front— (inches)	31 3/4"	31 3/4"	31 3/4"	31 3/4"
Height Front— (mm)	807	807	807	807
Number of sliding lids	2	2	2	2
INTERNAL DIMENSIONAL DATA				
NET Capacity (cubic ft.)	4.7	5.7	8.7	10.9
NET Capacity (Liters)	133	161	246	309
Number of baskets	2	3	4	5
ELECTRICAL DATA				
Electrical input	120 V	120 V	120 V	120 V
Amps	2.0	4.8	4.8	5.2
REFRIGERATION DATA				
Horsepower	1/5	1/4	1/4	1/3
WEIGHT DATA				
Weight (lbs)	142	145	180	200
Weight (kg)	64	66	82	91
Truckload Qty.—53' Truck	126	88	84	72

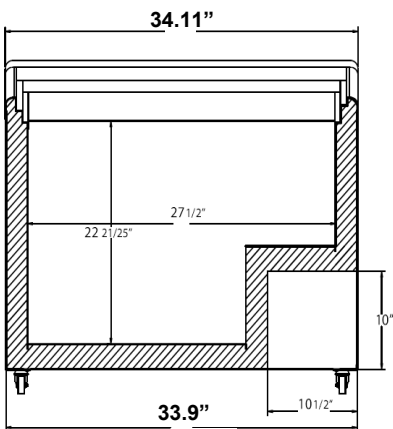
PLAN VIEWS



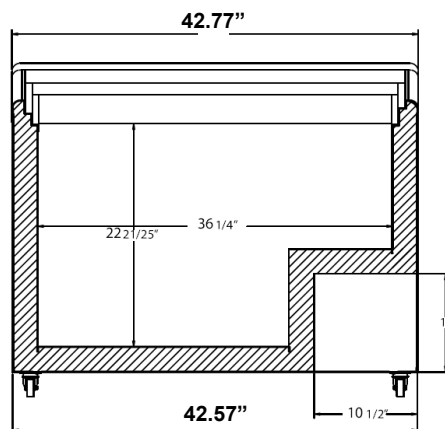
COMMON END VIEW



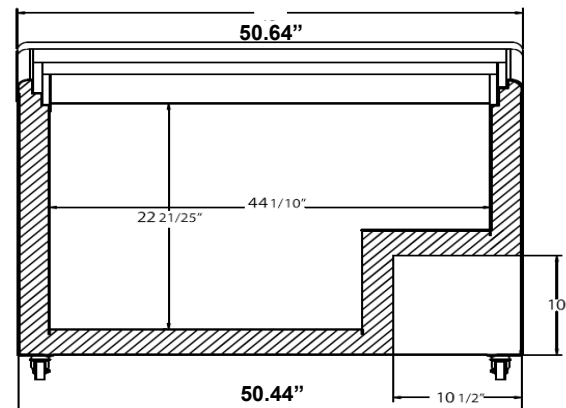
28.0"
NC28 FRONT VIEW



NC34 FRONT VIEW



NC43 FRONT VIEW



NC51 FRONT VIEW

BEVERAGE-AIR® CORPORATION

3779 Champion Blvd. • Winston-Salem, NC 27105 USA • (336) 245-6400 • Fax (336) 245-6453 • (888) 845-9800 • www.beverage-air.com

Specifications are subject to change without prior notice. 07/13