



BEVERAGE-AIR

3779 Champion Blvd., Winston-Salem, NC 27105
1-888-845-9800 Fax# 1-336-245-6453
<http://www.Beverage-Air.com>

Item No. _____
Quantity _____

**BOTTOM MOUNTED
REACH-IN REFRIGERATORS**
Vista Series
Solid Doors

MODEL:
RB23-1
RB27-1
RB49-1
RB72-1

CUSTOMER'S CHOICE FOR A HOT KITCHEN
Tested & Certified to Ambient Class of 100°F

3 Year Parts/Labor Warranty Additional 2 Year Compressor Warranty

CABINET CONSTRUCTION

- Exterior—Stainless steel front and door, robust gray painted exterior sides
- Aluminum Interior
- Insulation—foamed-in-place CFC and HCFC-free polyurethane insulation.
- One-piece grille allows easy removal/installation for preventative maintenance.

MECHANICAL CONTROL

REFRIGERATION SYSTEM

- Bottom mount balanced refrigeration system for better ergonomics.
- Automatic condensate evaporation system for energy efficiency.
- Forced-air system ensures uniform distribution of airflow throughout the entire cabinet for even product temperatures; maintains product temperatures between 36 - 38°F.
- Self-contained refrigeration system uses environmentally friendly (CFC and HCFC-free) R134A refrigerant.

DOORS

- Solid door configuration
- Anti-microbial door handles and door locks are standard. (*solid doors only*)
- Spring-loaded hinges standard. Positive seal self-closing door(s) with 120° stay open feature.
- Plug-in magnetic door gaskets of one piece construction, removable without tools for ease of cleaning.

SHELVING

- Three (3) heavy duty epoxy coated wire shelves per section standard. Four (4) shelf clips included per shelf (field installed).
- Shelves are adjustable in 1/2" increments.

MODEL FEATURES

- Incandescent interior lighting
- 6" heavy-duty casters included, two with brakes standard. 3" casters or 6" legs optional.
- Pre-wired plug for 115/60/1 phase.
- Epoxy coated evaporator prevents corrosion.
- ENERGY STAR® Qualified
- UL-EPH and CUL for open food product.



RB23-1

Available From:



*Note: Not all markings may apply to all model variations.

Model Specified _____

Store# _____

Location _____

Quantity _____

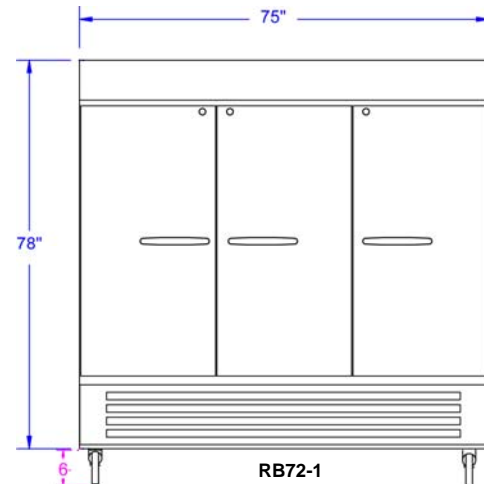
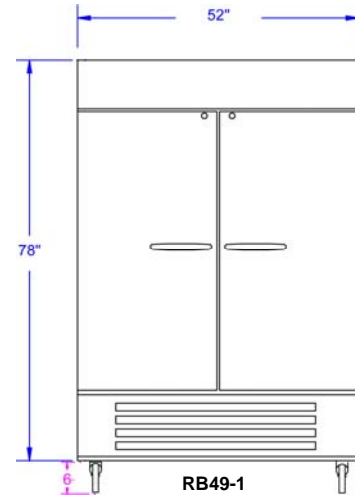
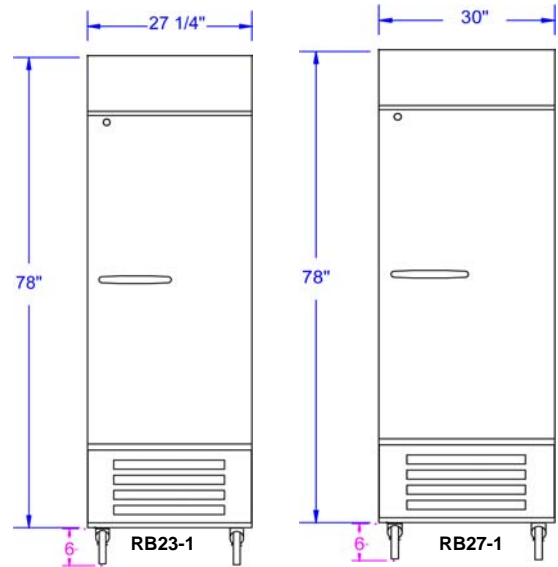


BEVERAGE-AIR

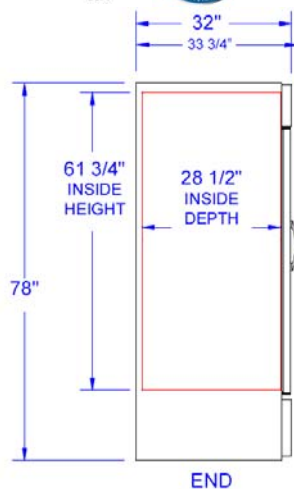
Vista Series Mount Refrigerators
Models: RB23-1, RB27-1, RB49-1, RB72-1

MODEL	RB23-1	RB27-1	RB49-1	RB72-1-
EXTERNAL DIMENSIONAL DATA				
Length Overall (inches)	27 1/4"	30"	52"	75"
Length Overall (mm)	692	762	1321	1905
Depth Overall (inches) - <i>includes handle</i>	33 3/4"	33 3/4"	33 3/4"	33 3/4"
Depth Overall (mm) - <i>includes handle</i>	857	857	857	857
Height Overall—(inches) / (mm) <i>Add 6" for legs or casters</i>	78" / 1981	78" / 1981	78" / 1981	78" / 1981
Number of doors	1	1	2	3
Depth with Door Open 90 °	60"	60"	60"	60"
INTERNAL DIMENSIONAL DATA				
NET Capacity (cubic ft.)	23	27	49	72
NET Capacity (Liters)	651	765	1388	2039
Internal Length Overall (inches)	24"	27"	47 16/25"	72"
Internal Length Overall (mm)	610	686	1210	1829
Internal Depth Overall (inches)	28 1/2"	28 1/2"	28 1/2"	28 1/2"
Internal Depth Overall (mm)	724	724	724	724
Internal Height Overall—(inches)	61 3/4"	61 3/4"	61 3/4"	61 3/4"
Internal Height Overall—(mm)	1569	1569	1569	1569
Number of shelves	3	3	6	9
ELECTRICAL DATA				
Full Load Amperes 115/60/1	5.8 A	5.8 A	8.8 A	9.9 A
REFRIGERATION DATA				
Horsepower	1/3	1/3	1/3	1/2
WEIGHT DATA				
Gross Weight (Crated lbs)	373	373	531	715
Gross Weight (Crated kg)	169	169	241	324

PLAN VIEWS



Note: Not all markings may apply to all



BEVERAGE-AIR® CORPORATION

3779 Champion Blvd. • Winston-Salem, NC 27105 USA • (336) 245-6400 • Fax (336) 245-6453 • (888) 845-9800 • www.beverage-air.com

Specifications are subject to change without prior notice. 09/14